

LTD010EX

EXPLOSION PROOF LOUDSPEAKER END OF LINE DEVICE



DS-098 Issue 04

Thank you for your interest in Zitel - we are a UK based manufacturer of PAGA and Intercom products. Our systems are mainly designed for use in the Hazardous Oil, Gas and Petrochemical industries.

LTD010EX enables full critical path supervision on radially wired / star wired, PAGA loudspeaker networks without resource to additional field cable conductors. The unit is fully Ex certified and enables operation in potentially explosive atmospheres.

Please do not hesitate to contact us for further information on our products we look forward to working with you on a project soon...

LTD010EX END OF LINE SUPERVISORY

Secure line supervision – Early warning of system deterioration

ATEX Zone 1 certified – Safe use in explosive atmospheres

No additional field conductors required – Simple installation

The LTD010EX end of line device is specified for use with mission critical PAGA broadcasts systems and is designed to fit at the last loudspeaker position when a radial line field cable architecture is employed i.e. the field cable is not returned from the end if line return to from a loop or ring.

The unit communicates with the host PAGA rack via the respective loudspeaker line and in doing so automatically verifies associated field cable connectivity.

The Zitel central equipment management subsystem delivers an inaudible test signal envelope which is sent to the loudspeaker distribution networks. The central processor must receive a handshake back from the LTD010EX to maintain a healthy system status.

In the event of a short or open circuit on the line, the LTD010EX will fail to receive the supervisory test signal and the line confirmation handshake will not be initiated resulting in a line fault being detected. Tree and branch loudspeaker network architectures can be implemented with the Zitel 350 A capable of resolving up to six end of line units per amplifier output.

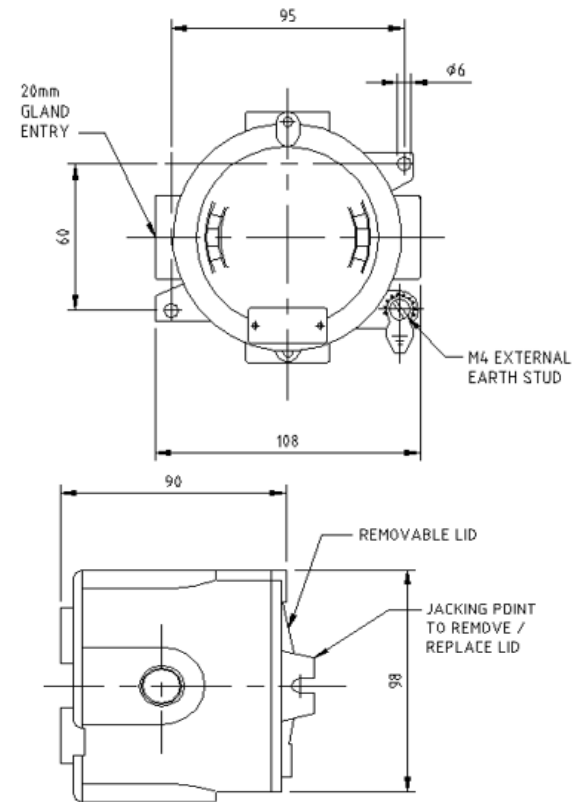
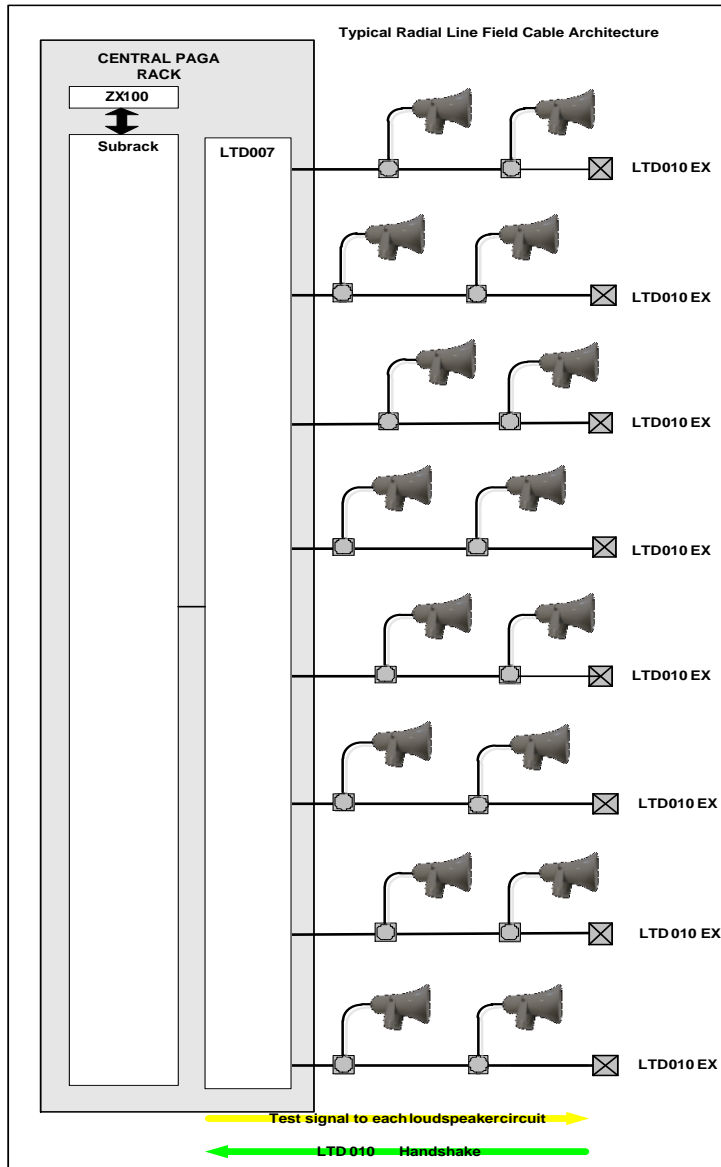


ZITTEL LIMITED

email: sales@zitel.com web: www.zitel.com tel: +44 (0) 115 9202888
mail: 96 Rolleston Drive, Arnold, Nottingham, NG5 7JP United Kingdom

All text, drawings and photography contained within this data sheet are the property of Zitel Ltd and are subject to copyright. Information may neither be transmitted or copied to third parties without the express written consent of Zitel Ltd. Zitel Ltd have a policy of continuous product improvement and contents here in are liable to change without notice.

LTD010EX is connected to the end of field cable line, unit shown is equipped with optional stainless steel mounting bracket assembly.



Technical Specification	
Dimensions	108 x 98 x 105mm (W,L,H)
Weight	1 Kg
Material	Marine grade alloy
Finish	PTFE paint
Ingress Protection	IP67
Hazardous Area	ATEX Certified ExII2G Exd IIC T6/Ex II2D IP67
Gland Entry	1 x 20mm Isometric
Earth connection	M4 stainless steel external stud
Operating Temperature Range	-20 °C to +55 °C

ZIZTEL LIMITED

email: sales@ziztel.com web: www.ziztel.com tel: +44 (0) 115 9202888
 mail: 96 Rolleston Drive, Arnold, Nottingham, NG5 7JP United Kingdom

All text, drawings and photography contained within this data sheet are the property of Ziztel Ltd and are subject to copyright. Information may neither be transmitted or copied to third parties without the express written consent of Ziztel Ltd. Ziztel Ltd have a policy of continuous product improvement and contents here in are liable to change without notice.