

BA-56EExeN(T)

EXPLOSION PROOF CEILING LOUDSPEAKER



DS-228 Issue 01

Thank you for your interest in Ziztel - we are a UK based manufacturer of PAGA and Intercom products. Our systems are mainly designed for use in the Hazardous Oil, Gas and Petrochemical industries.

Consequently our products are very robust and designed to comply with international standards.

Please do not hesitate to contact us for further information on our products we look forward to working with you on a project soon...

ZIZTEL BA-56EExeN(T)

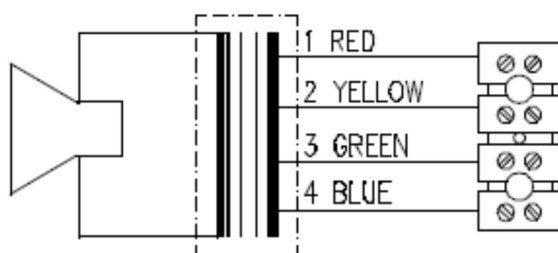
Compact flush fit – allows use in confined spaces

Aesthetically pleasing – suitable for use in living accommodation

ATEX certified – safe in potentially explosive atmospheres

The Ziztel BA-56EExeN(T) is a Zone 1, 2 certified explosion proof ceiling flush fit loudspeaker unit designed to provide reliable and efficient service in potentially explosive atmospheres.

The unit is equipped with a line transformer allowing the user to pre-select a range of sound pressure level outputs which together with a wide frequency range enables high intelligibility speech to be realised in an industrial application. Termination is made via twin 20mm cable entries allowing 'loop through', thereby eliminating external junction boxes.



Certified By / Certification Code / Number : Nemko / Ex de IIB+H2 T6 Gb / 10ATEX1050

ZIZTEL LIMITED

email: sales@ziztel.com web: www.ziztel.com tel: +44 (0) 115 9202888
mail: 96 Rolleston Drive, Arnold, Nottingham, NG5 7JP United Kingdom

All text, drawings and photography contained within this data sheet are the property of Ziztel Ltd and are subject to copyright. Information may neither be transmitted or copied to third parties without the express written consent of Ziztel Ltd. Ziztel Ltd have a policy of continuous product improvement and contents here in are liable to change without notice.

SPL at 1W/1m Sine wave

SPL vs Freq

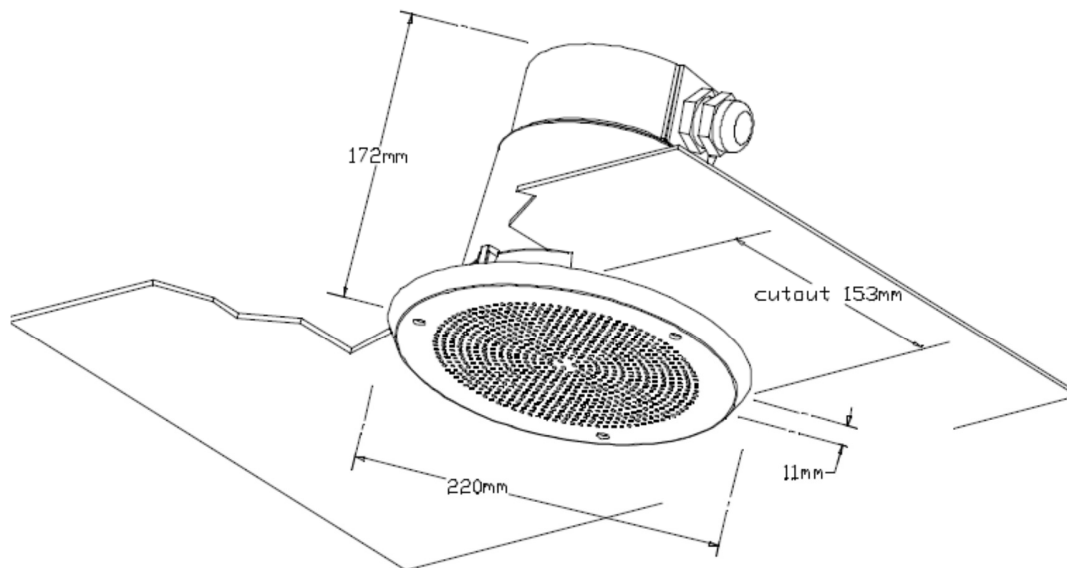


100V transformer
Primary
nominal tapings

1 : 2	6,0 W
2 : 3	3,0 W
3 : 4	1,5 W
1 : 3	1,0 W
2 : 4	0,5 W
1 : 4	0,3 W

Technical Specification

Material / Colour	Aluminium / RAL9010
Mounting	3 screws
Termination	e-chamber, screw terminals
Weight w/transformer	3kg
IP Rating	54
Max./Min. amb. temp	50°C/-20°C
Rated/Max. power	6W/6W
SPL 1W/1m	88dB
SPL rated power	95dB
Effective Freq. range	160Hz – 15kHz
Dispersion (-6dB) 1kHz/4kHz	120°/55°
Directivity factor, Q(2kHz)	
Options	Impedance, colour, label



Standard model delivered with two M20
Ex approved plastic blinding plugs

ZIZTEL LIMITED

email: sales@ziztel.com web: www.ziztel.com tel: +44 (0) 115 9202888
mail: 96 Rolleston Drive, Arnold, Nottingham, NG5 7JP United Kingdom

All text, drawings and photography contained within this data sheet are the property of Ziztel Ltd and are subject to copyright. Information may neither be transmitted or copied to third parties without the express written consent of Ziztel Ltd. Ziztel Ltd have a policy of continuous product improvement and contents here in are liable to change without notice.