

# HS-8EEXMNT

## EXPLOSION PROOF LOUDSPEAKER

DS-249 Issue 01



Thank you for your interest in Ziztel - we are a UK based manufacturer of PAGA and Intercom products. Our systems are mainly designed for use in the Hazardous Oil, Gas and Petrochemical industries. The HS8 EEXMNT is a rugged horn loaded high performance PAGA loudspeaker designed to provide excellent broadcast quality in a hazardous area. Ziztel products are very robust and designed to comply with international standards.

Please do not hesitate to contact us for further information on our products we look forward to working with you on a project soon...

### ZIZTEL HS-8EEXMNT EXPLOSION PROOF LOUDSPEAKER

*Safe for use in potentially explosive areas – ATEX Certified*

*Suitable for use in aggressive climatic locations*

*IP Rating 67*

*High efficiency 8Watt rated horn-loaded loudspeaker*

The HS8-EEXMNT is an explosion proof re-entrant horn loudspeaker designed to provide reliable service in a petrochemical application. The unit features excellent acoustic properties and can be used in MT50 applications as a shoutback microphone transducer as well as a conventional public address/PAGA/paging re-entrant horn loudspeaker.

The unit can be supplied with/without integral line transformer (suffix T) which allows a range of power settings to be locally assigned to meet prevailing acoustic conditions.

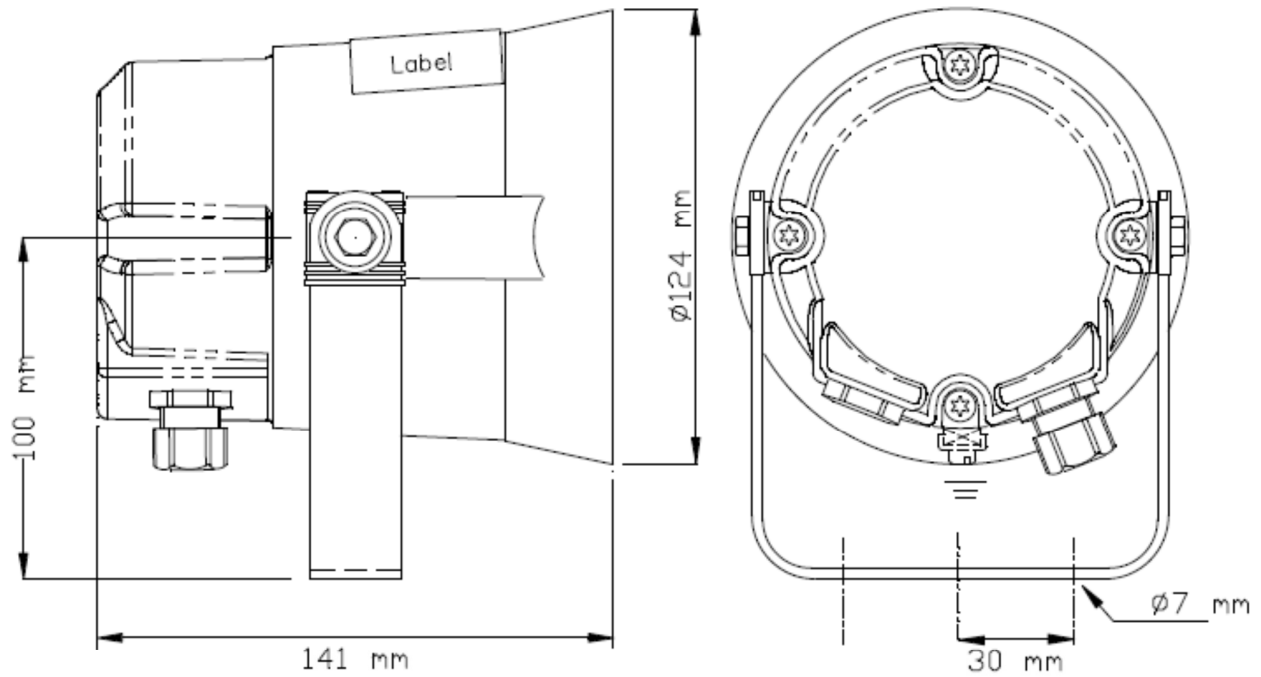


| Technical Specification       | IIB                        | IIC          |
|-------------------------------|----------------------------|--------------|
| Material/Colour               | Aluminium alloy/RAL7035    |              |
| Mounting                      | Bracket                    |              |
| Termination                   | e-chamber, screw terminals |              |
| Weight w/transformer          | 2.0kg                      |              |
| IP-rating (UL equivalent)     | IP66/IP67                  |              |
| Max. / min. amb. temp         | +50°C / -50°C              |              |
| Rated / max. power            | 8W / 8W                    |              |
| SPL 1W/1m                     | 100dB                      | 94dB         |
| SPL rated power               | 108dB                      | 102dB        |
| Effective freq. range         | 550-7000Hz                 | 650-7000Hz   |
| Dispersion (-6dB 1kHz / 4kHz) | 171°C / 47°C               | 105°C / 35°C |
| Directivity factor, Q 1 kHz   | 2, 1                       |              |
| Tappings                      | 2, 4, 8 Watts              |              |

ZIZTEL LIMITED

email: [sales@ziztel.com](mailto:sales@ziztel.com) web: [www.ziztel.com](http://www.ziztel.com) tel: +44 (0) 115 9202888  
mail: 96 Rolleston Drive, Arnold, Nottingham, NG5 7JP United Kingdom

All text, drawings and photography contained within this data sheet are the property of Ziztel Ltd and are subject to copyright. Information may neither be transmitted or copied to third parties without the express written consent of Ziztel Ltd. Ziztel Ltd have a policy of continuous product improvement and contents here in are liable to change without notice.

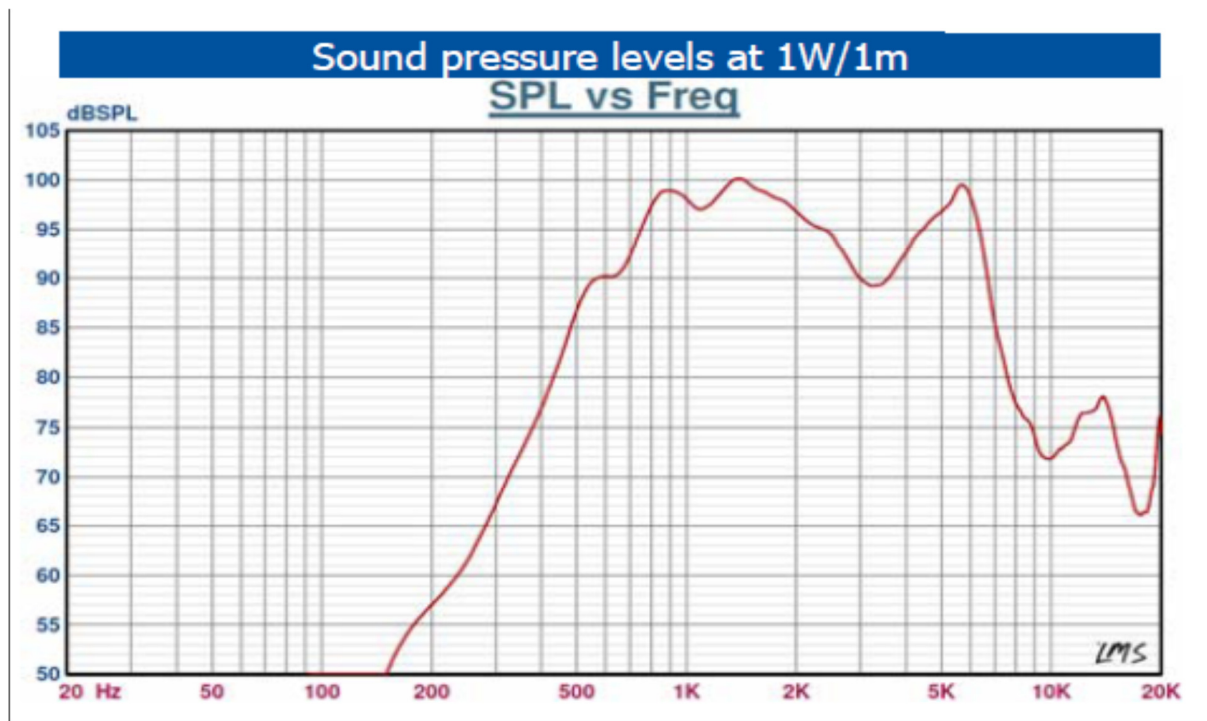


Standard model delivered with two M20  
Ex approved plastic blinding plugs

**Certification: NEMKO 10ATEX1051**

**II 2G Ex d e mb IIC T6 Gb -50°C ≤ Ta +50°C**

**II 2G Ex d e mb IIB+H2 T6 Gb -50°C ≤ Ta +50°C**



ZIZTEL LIMITED

email: [sales@ziztel.com](mailto:sales@ziztel.com) web: [www.ziztel.com](http://www.ziztel.com) tel: +44 (0) 115 9202888  
mail: 96 Rolleston Drive, Arnold, Nottingham, NG5 7JP United Kingdom

All text, drawings and photography contained within this data sheet are the property of Ziztel Ltd and are subject to copyright. Information may neither be transmitted or copied to third parties without the express written consent of Ziztel Ltd. Ziztel Ltd have a policy of continuous product improvement and contents here in are liable to change without notice.