

ZXM04 MESSAGE STORE

DS-094 Issue 03



Thank you for your interest in Zitel - we are a UK based manufacturer of PAGA and Intercom products. Our systems are mainly designed for use in the Hazardous Oil, Gas and Petrochemical industries.

Consequently our products are very robust and designed to comply with international standards.

Please do not hesitate to contact us for further information on our products we look forward to working with you on a project soon...

ZITTEL ZXM04 MESSAGE STORE

Review of recording prior to final fixing in system

Configurable message delivery subsystem – no ‘one time’ programmable chips

Non-volatile – no dependence on supply security

Fully supervised – onboard speech monitoring

Very simple real-time record process – no requirement for file downloads or a PC

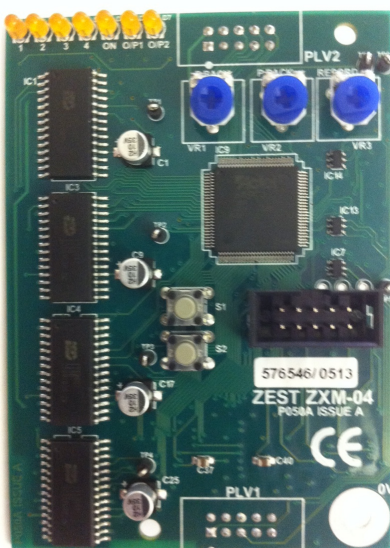
The ZXM04 is a highly integrated module that provides up to eight separate non-volatile messages held in secure solid state semiconductor media.

Speech is downloaded without recourse to special software or hardware tools enabling rapid and simple recording of predefined messages.

Recorded messages are monitored to ensure store availability and to provide an early warning of subsystem trouble.

The ZXM04 module is fitted on to the ZEST ZX100 motherboard by engaging pin stick connectors PLV1 and PLV2. Power supply and controls are derived from the ZX100. The ZXM04 is programmed by plugging a headset into the engineers text input DIN rail connector located on the fascia of the ZX100.

The ZXM04 carries an onboard micro system that enables the ZXM04 to deliver discreet routine zoned messages, emergency instructions or augment mission critical alarm tone broadcasts with alternating stored message/alarm tone/stored message.



ZITTEL LIMITED

email: sales@zittel.com web: www.zittel.com tel: +44 (0) 115 9202888
mail: 96 Rolleston Drive, Arnold, Nottingham, NG5 7JP United Kingdom

All text, drawings and photography contained within this data sheet are the property of Zittel Ltd and are subject to copyright. Information may neither be transmitted or copied to third parties without the express written consent of Zittel Ltd. Zittel Ltd have a policy of continuous product improvement and contents here in are liable to change without notice.

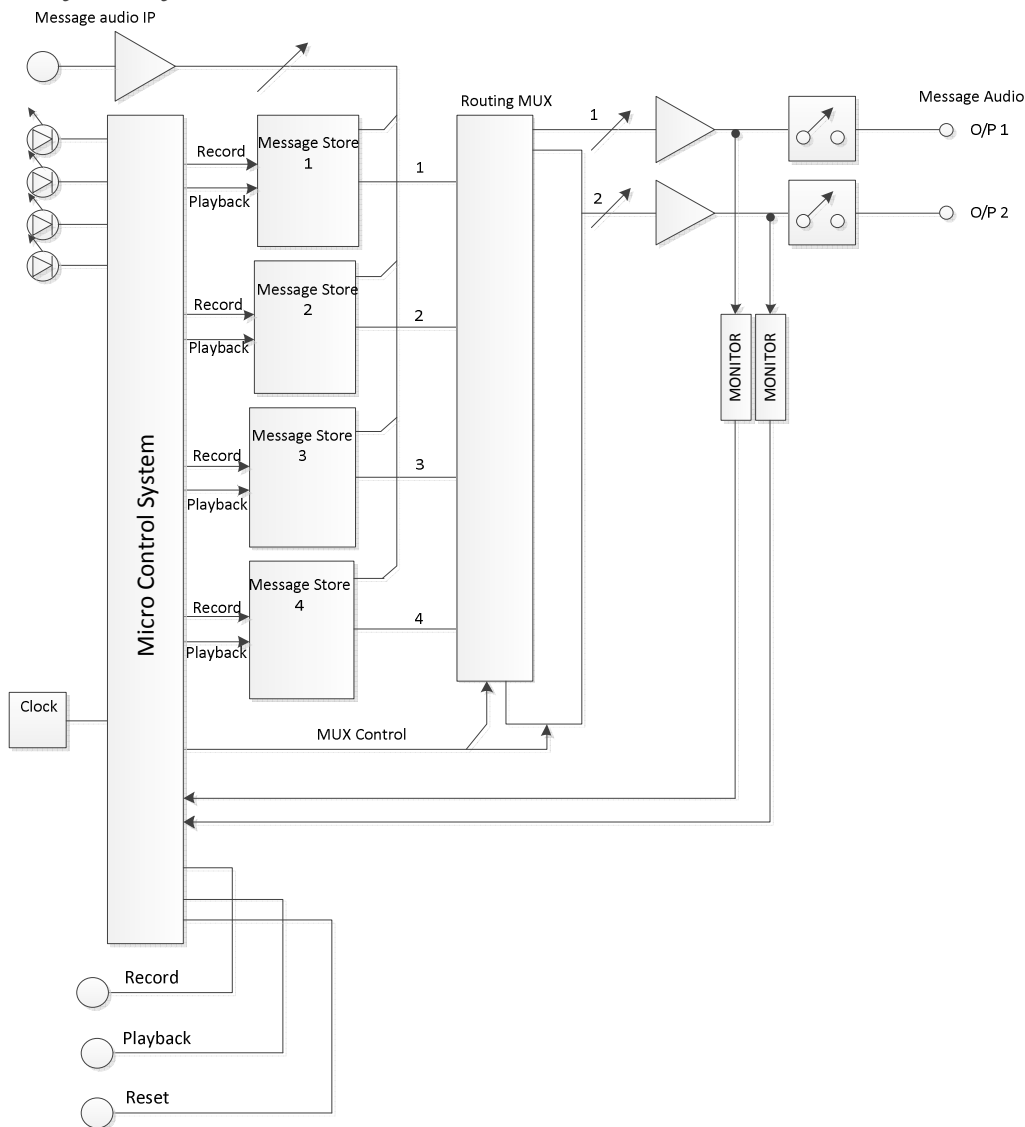
Messages are retained in electrically alterable memory ensuring availability throughout the life of the PAGA system without risk of loss or corruption during mains power supply input cycling. Recording/over-writing of existing message(s) can only be executed by:

- Plugging in of programming microphone headset
- Operation of “Record” push button

A recorded message can be reviewed privately by playback to the programming headset. If acceptable, the recorded message is retained in memory. If the message is not acceptable upon review, the user can overwrite the message by depressing “Record” and repeating the process.



ZXMO4 is fitted within the Zitel ZEST ZX100 management processor. Message status is described by numerical output fitted to the fascia of the ZX100.



ZITTEL LIMITED

email: sales@zitel.com web: www.zitel.com tel: +44 (0) 115 9202888
 mail: 96 Rolleston Drive, Arnold, Nottingham, NG5 7JP United Kingdom

All text, drawings and photography contained within this data sheet are the property of Zitel Ltd and are subject to copyright. Information may neither be transmitted or copied to third parties without the express written consent of Zitel Ltd. Zitel Ltd have a policy of continuous product improvement and contents here in are liable to change without notice.

Technical Specification	
Supply	+/-5Vdc
Consumption	100mA
Store Time	16 minutes
Segmentation	Four 4 minute messages / Eight 2 minute messages (Messages can be minimum 5 seconds up to maximum 240 seconds)
Frequency Response	150Hz – 8kHz
Location	Safe area
Host	ZX100 PAGA management unit
Weight	0.25kg
Temperature Ambient	-20 °C to +70 °C
Connection	Multi-way DIL headers

ZIZTEL LIMITED

email: sales@ziztel.com web: www.ziztel.com tel: +44 (0) 115 9202888
 mail: 96 Rolleston Drive, Arnold, Nottingham, NG5 7JP United Kingdom

All text, drawings and photography contained within this data sheet are the property of Ziztel Ltd and are subject to copyright. Information may neither be transmitted or copied to third parties without the express written consent of Ziztel Ltd. Ziztel Ltd have a policy of continuous product improvement and contents here in are liable to change without notice.