

PPX01

PAGE/PARTY DAISY-CHAIN MODULE

DS-163 Issue 02a



Thank you for your interest in Zitel - we are a UK based manufacturer of PAGA and Intercom products. Our systems are mainly designed for use in the Hazardous Oil, Gas and Petrochemical industries.

The PPX01 allows a page/party architecture to be simply incorporated into a PAGA/paging broadcast system.

The unit is modular and simple installation enables rapid commissioning and low through-life costs.

ZITTEL PPX01

Encapsulated module

Ruggedised

Page/party operation

Daisy-chain cable connectivity

The Zitel PPX01 is an electronic module designed to support “paging” handsets to enable daisy-chained cable topology. The module is a rugged encapsulated circuit board which enables operation in extended temperature/climatic conditions, with external connections made by flying leads. The module is designed to be fitted into intermediate junction boxes or distribution cabinets local to the paging handset.

The unit is energized with 48Vdc from the central equipment rack.

Paging handsets can be weatherproof, safe area or explosion proof depending on site requirements each module can support connectivity of the following paging handsets:

- ATEX certified - maximum of 4 handsets
- Weatherproof - maximum of 1 handset

The PPX01 requires the following connectivity:

- 48Vdc supply from the central equipment rack
- Paging telephone signal from the central equipment rack
- Paging handset connection



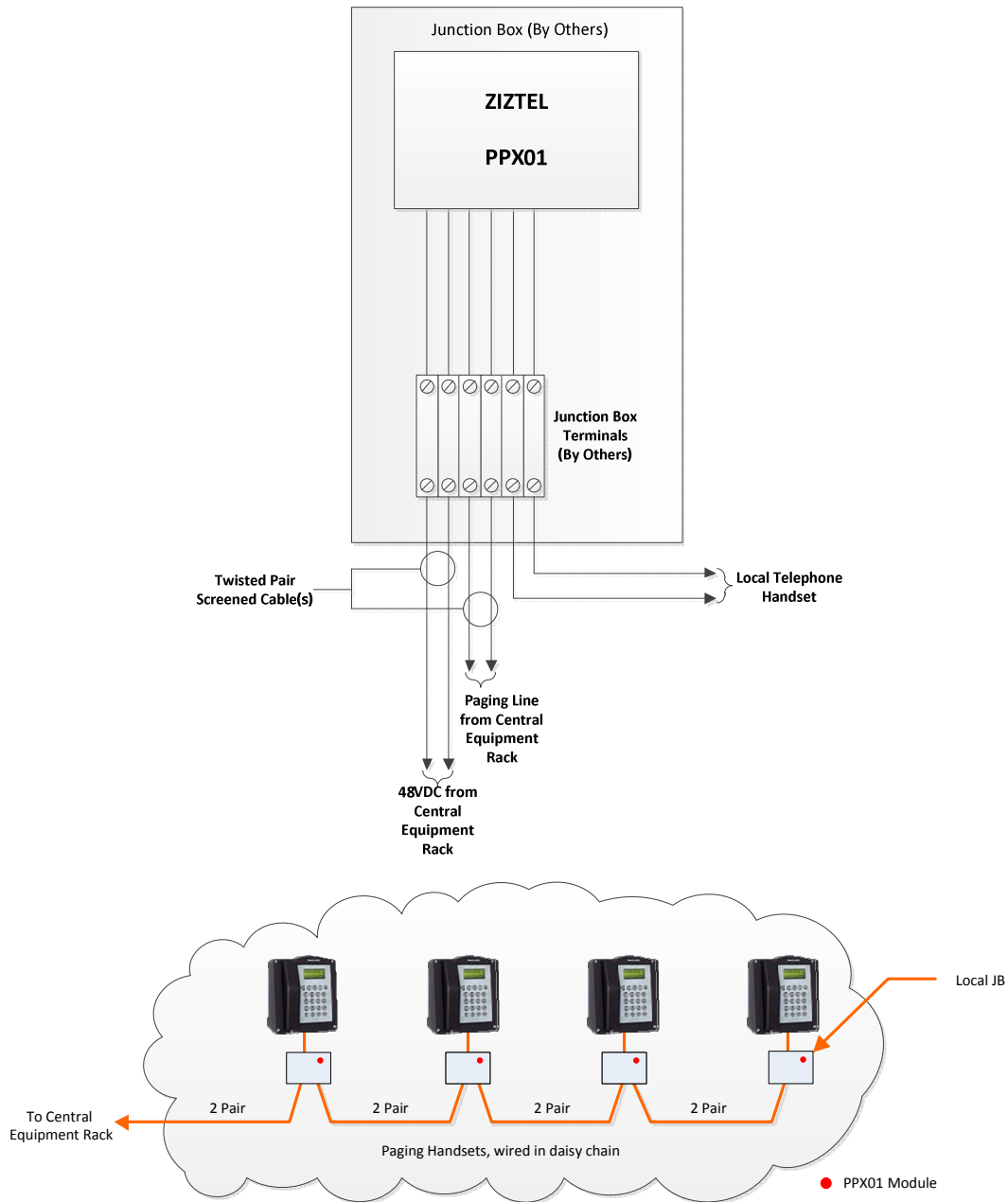
Above: Photo shows a PPX01 module

ZITTEL LIMITED

Email: sales@zittel.com web: www.zittel.com tel: +44 (0) 115 9202888
Mail: 96 Rolleston Drive, Arnold, Nottingham, NG5 7JP United Kingdom

All text, drawings and photography contained within this data sheet are the property of Zitel Ltd and are subject to copyright. Information may neither be transmitted or copied to third parties without the express written consent of Zitel Ltd. Zitel Ltd have a policy of continuous product improvement and contents here in are liable to change without notice.

Typical Installation In Local Junction Box



Technical Specification

Supply	48Vdc +/-20%
Output	Paging handset signal
Number of handset supported	ATEX certified: 4 off Weatherproof: 1 off
Temperature Range	-25 °C to +70 °C
Location	Safe area
Packaging	Encapsulated enclosure
Dimensions	Approximately 50mm x 50mm x 30mm
Connection	Flying leads to terminals (by others)
Weight	0.1kg

ZIZTEL LIMITED

Email: sales@ziztel.com web: www.ziztel.com tel: +44 (0) 115 9202888
Mail: 96 Rolleston Drive, Arnold, Nottingham, NG5 7JP United Kingdom

All text, drawings and photography contained within this data sheet are the property of Ziztel Ltd and are subject to copyright. Information may neither be transmitted or copied to third parties without the express written consent of Ziztel Ltd. Ziztel Ltd have a policy of continuous product improvement and contents here in are liable to change without notice.