

DAS-04EX

MUSTER EMERGENCY INTERCOM AMPLIFIER

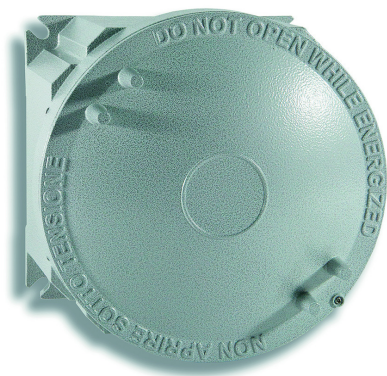


DS-204 Issue 03

Thank you for your interest in Ziztel - we are a UK based manufacturer of PAGA and Intercom products. Our systems are mainly designed for use in the Hazardous Oil, Gas and Petrochemical industries.

Consequently our products are very robust and designed to comply with international standards.

Please do not hesitate to contact us for further information on our products we look forward to working with you on a project soon...



ZIZTEL ZEST DAS-04EX

*Explosion proof integrated
8Watt audio power amplifier*

*Distributed muster intercom/emergency open channel
voice communications, no central equipment required*

*Free topology – Loop or radial or star wired system
architecture works on standard 1-pair cable*

Ziztel DAS-04Ex is a high power industrial amplifier designed specifically for service in severe environmental conditions including potentially explosive atmospheres.

The unit is available in two models:

- DAS-04 is an industrial pattern unit for use in safe areas, (see datasheet).
- DAS-04Ex is designed to allow use in hazardous areas and is available with ATEX certification allowing safe operation in Zone 1 and 2 locations.

The DAS-04Ex consists of a compact bulkhead mount explosion proof enclosure which houses a powerful 8W_{RMS} amplifier (enabling drive of a local ATEX horn loudspeaker), open channel exchange, barrier set to allow connection of a Ziztel ZAP10-02-11 noise cancelling microphone station.

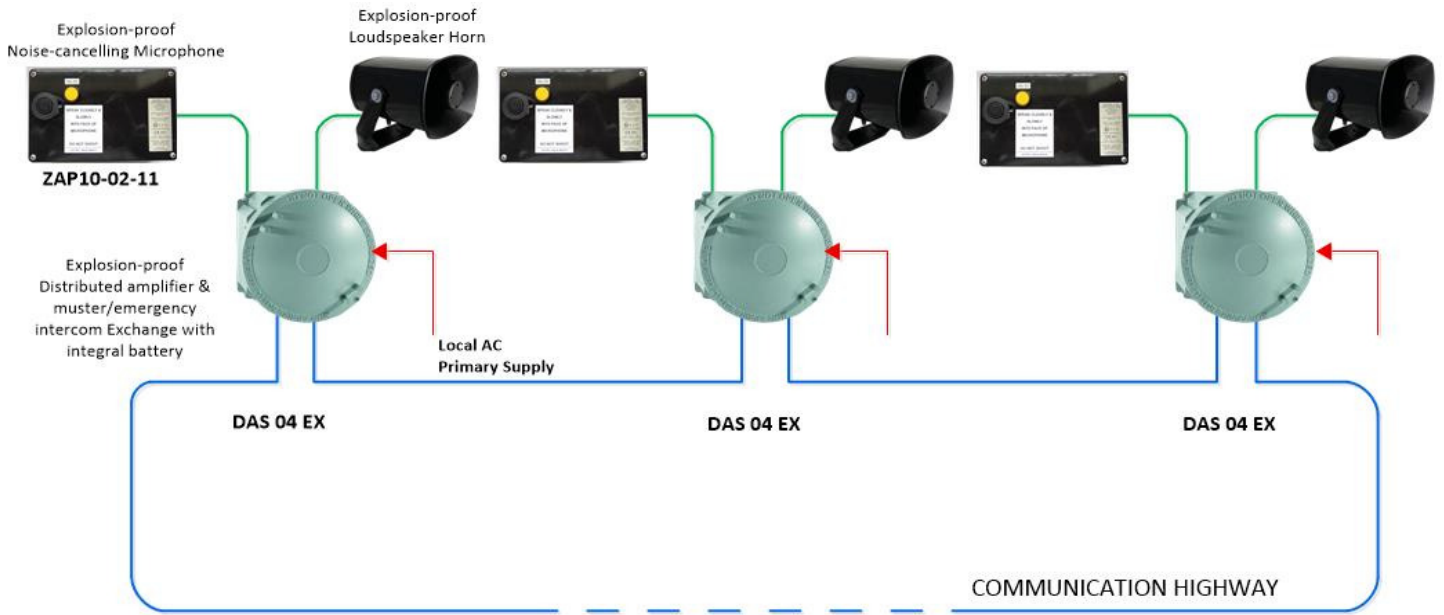
An optional integral mains battery supply ensures continued service in event of primary AC power disconnection and supports no break autonomy for 30 minutes of 'talk time'.

The unit is totally self-contained there is no central equipment required or dependency on other stations, a system is established by inter connecting two or more DAS-04Ex with a single pair cable, by specifying a loop based field cable connectivity architecture the system maintains operation in event of a single open circuit cable. Maximum number of DAS-04Ex on a network is 100 outstations operating on a single twisted pair cable minimum CSA/conductor is 0.75mm². Where greater audio power is required choose DAS-01Ex amplifier station.

ZIZTEL LIMITED

email: sales@ziztel.com web: www.ziztel.com tel: +44 (0) 115 9202888
mail: 96 Rolleston Drive, Arnold, Nottingham, NG5 7JP United Kingdom

All text, drawings and photography contained within this data sheet are the property of Ziztel Ltd and are subject to copyright. Information may neither be transmitted or copied to third parties without the express written consent of Ziztel Ltd. Ziztel Ltd have a policy of continuous product improvement and contents here in are liable to change without notice.



DAS 04 EX EMERGENCY INTERCOM

Technical Specification

Supply	+12V _{DC} internal, 90V _{AC} - 254V _{AC} 50/60Hz primary supply
Autonomy	30minutes talk time (optional battery supply)
Consumption maximum	12VA
Consumption quiescent	2VA
Frequency Response -3dB points	150Hz – 10kHz
Distortion THD	>2%
Regulation	>1dB
Input	Ex i ZAP10-02-11 microphone
Output	4Ω – 20Ω loudspeaker
Output power maximum	8Watts
Material	LM6 marine-grade alloy
Dimensions	150mm x 150mm x 100mm
Weight	5kg
Certification	ATEX Zone 1 IIC T4
IP Rating	IP66

ZIZTEL LIMITED

email: sales@ziztel.com web: www.ziztel.com tel: +44 (0) 115 9202888
mail: 96 Rolleston Drive, Arnold, Nottingham, NG5 7JP United Kingdom

All text, drawings and photography contained within this data sheet are the property of Ziztel Ltd and are subject to copyright. Information may neither be transmitted or copied to third parties without the express written consent of Ziztel Ltd. Ziztel Ltd have a policy of continuous product improvement and contents here in are liable to change without notice.