

ZFL23X 'T'

HAZARDOUS AREA FLASHING BEACON



DS-374 Issue 04

Thank you for your interest in Ziztel - we are a UK based manufacturer of CCTV, PAGA and Intercom products. Our systems are mainly designed for use in the Military, Marine, Hazardous Oil, Gas and Petrochemical industries.

ZFL23X 'T' is a rugged, explosion proof IECEx and ATEX, high intensity visual alarm unit designed for supplementary telephone ring signaling in noisy areas.

The unit features auxiliary sounder driver output which can be arranged to control a Ziztel ZLSC06-S explosion proof siren device.

ZIZTEL ZFL23X 'T' XENON DISCHARGE TUBE TELEPHONE INITIATE BEACON

Xenon Discharge Tube light source – *high intensity flash*

Fresnel optical lens – *excellent light dispersion*

Very heavy-duty corrosion / Ultra Violet Light Proof Construction – *suitable for operation in aggressive environments*

The Ziztel ZFL23X 'T' hazardous area telephone initiate flashing beacon is designed to provide safe visual warnings in a hostile climatic environment and potentially explosive atmosphere. The unit comprises of a rugged IP66 rot proof, corrosion resistant enclosure which is fitted with a robust toughened well glass, Fresnel optic lens dome and control electronics module. ZFL23X 'T' incorporates an optically isolated telephone ringing detector and siren driver output (to drive a Ziztel ZLSC-06-S) to provide both audible and visual signaling where required.

ZFL23X 'T' can be located in a Zone1 or 2 IIA, B, C T4 hazardous area and is ATEX and IECEx certified accordingly. The light source is based on a xenon discharge tube which produces a brilliant pulse of light at regular intervals. Cable entry is via a 20 mm isometric gland penetration and the integral termination compartment accepts ferruled cable conductors up to 1.0 mm. Colour is given by selection of Fresnel lens caps which provide controlled light output to ensure maximum efficiency and visibility in external areas. This arrangement enables the possibility to field exchange colour filters without complete unit replacement and eliminates the inconsistencies of painted well well glass. The unit enclosure can be supplied in either high grade alloy (type A) or 316 L stainless steel (type S).



ZIZTEL LIMITED

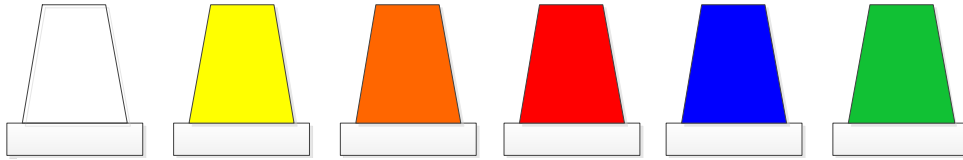
email: sales@ziztel.com web: www.ziztel.com tel: +44 (0) 115 9202888
mail: 96 Rolleston Drive, Arnold, Nottingham, NG5 7JP United Kingdom

All text, drawings and photography contained within this data sheet are the property of Ziztel Ltd and are subject to copyright. Information may neither be transmitted or copied to third parties without the express written consent of Ziztel Ltd. Ziztel Ltd have a policy of continuous product improvement and contents here in are liable to change without notice.

The unit is certified for use without a lens guard however where there is known risk of damage to the lens dome an optional well glass wire cage can be fitted to provide additional protection.

Lens options:

Clear C, Yellow Y, Amber A, Red R, Blue B, Violet V, Green G

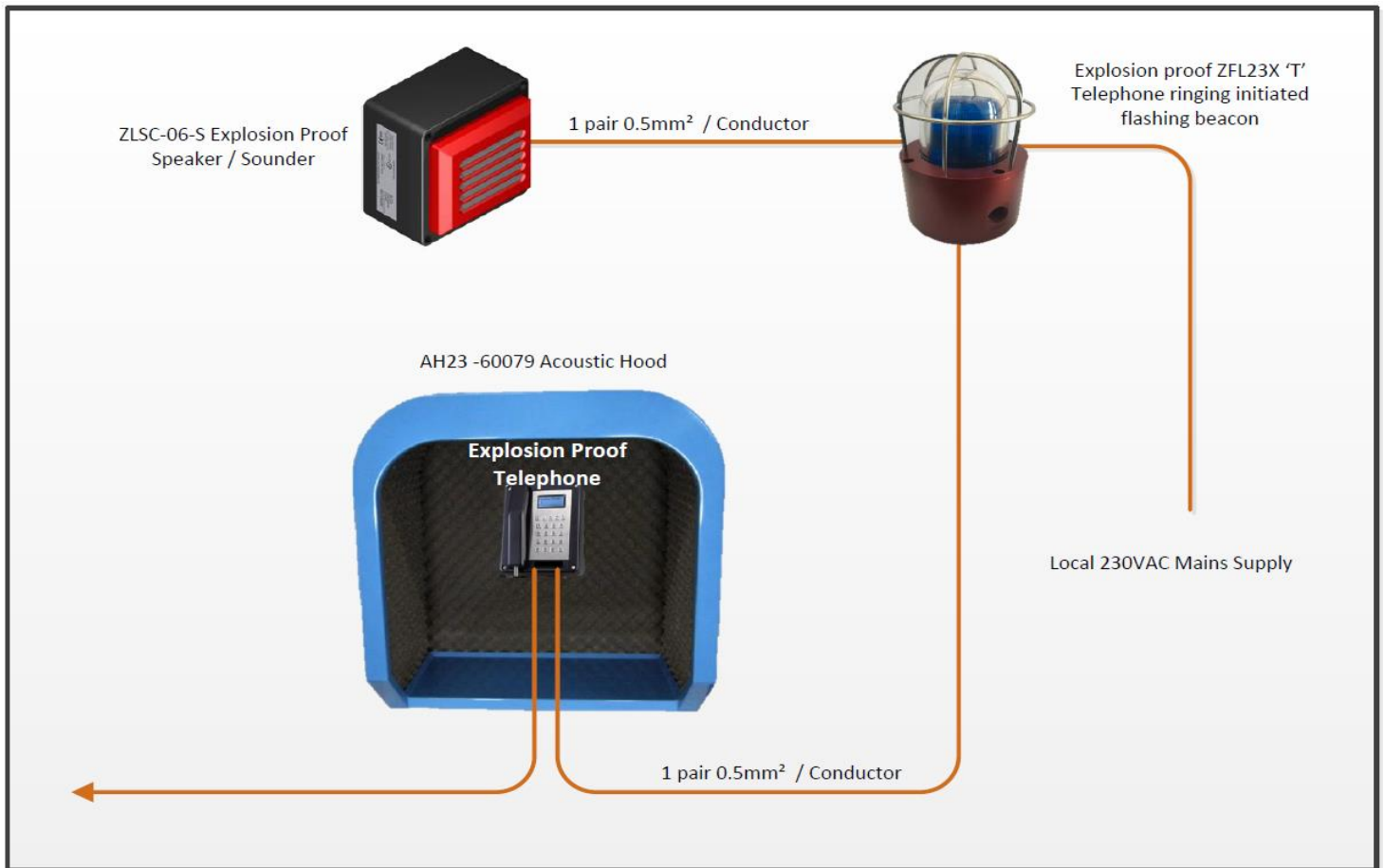
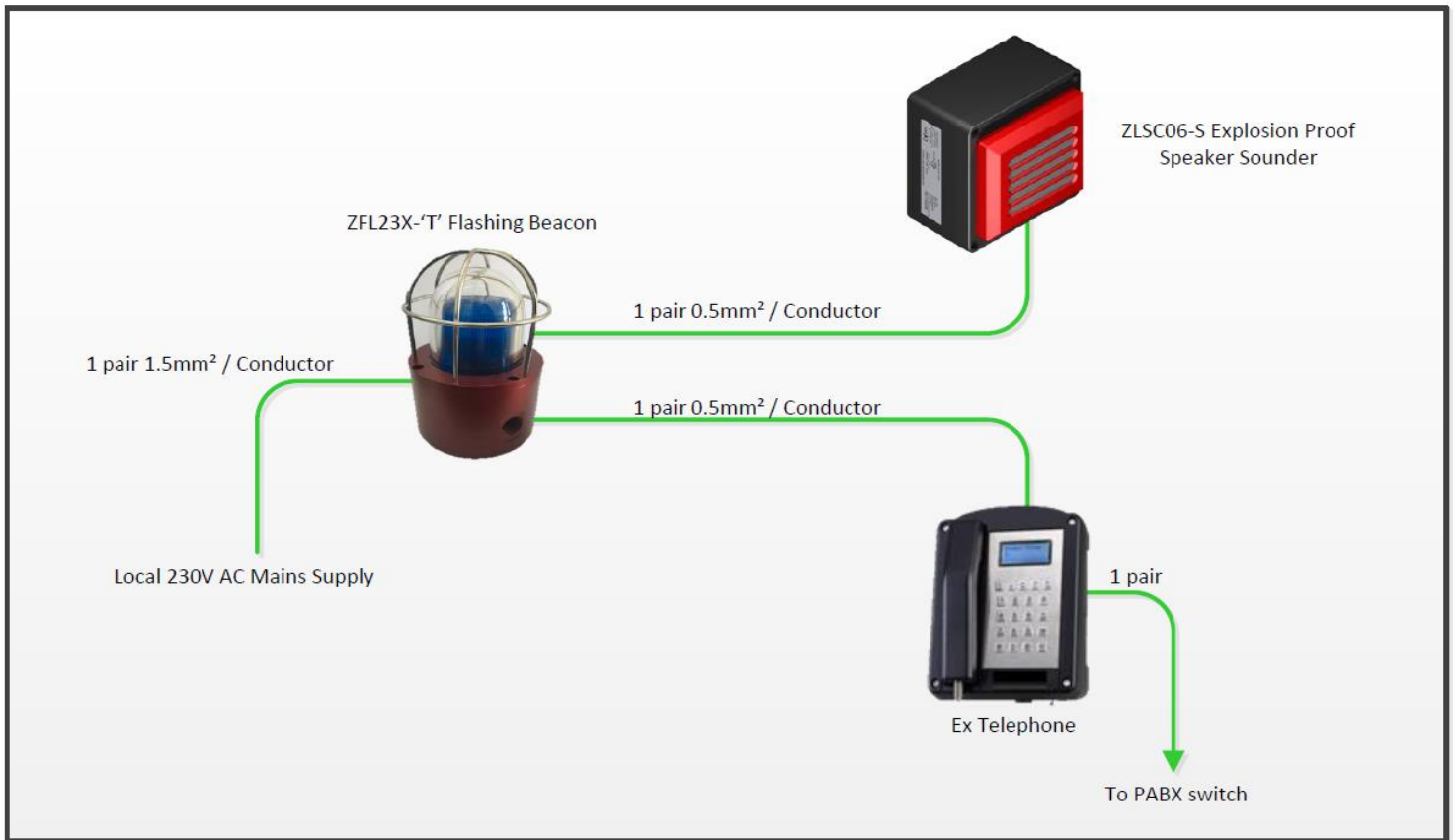


Technical Specification	
Power Supply Voltage	AC 220/240V 50/60Hz
Consumption	20 Watts Maximum
Light source	Xenon gas discharge tube
Duty Cycle	Continuous
Flash Rate	1 flash per second
Voltage input tolerance	+10% / -20%
Power	5 Joule
Enclosure – A	High grade aluminium
Enclosure – S	316 L Stainless steel
Enclosure – A colour	Signal red finish
Enclosure – S colour	Natural finish
Fresnel optic lens Colours	Amber – A Yellow – Y Blue – B Green – G Red – R Clear – C Violet - V
Temperature Range	-40C to +60C ambient
Environmental Rating	IP66
Cable Entry	3 x 20mm entry
Cable Conductor size	Up to 1.0mm; 1.5 mm ferruled
Sounder drive output	24 VDC rated 2.5 Watts to drive ZLSCo6-S Zitel Ex sounder
Weight A type enclosure	3Kg
Weight S type enclosure	4.2 Kg
Dimensions no well glass guard	150 high x 106 wide mm
Dimensions with well glass guard	160 high x 106 wide mm
Mounting attitude	Vertical or horizontal
Certification	Zone 1 / 2 IIC T4

ZIZTEL LIMITED

email: sales@zitzel.com web: www.zitzel.com tel: +44 (0) 115 9202888
mail: 96 Rolleston Drive, Arnold, Nottingham, NG5 7JP United Kingdom

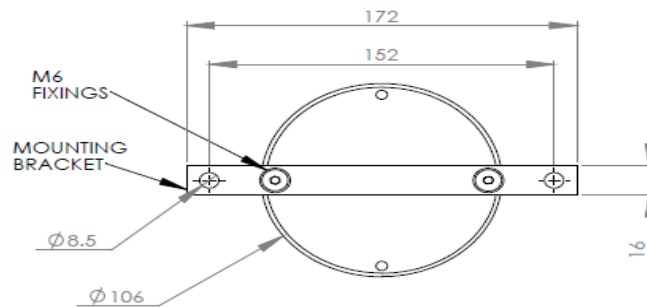
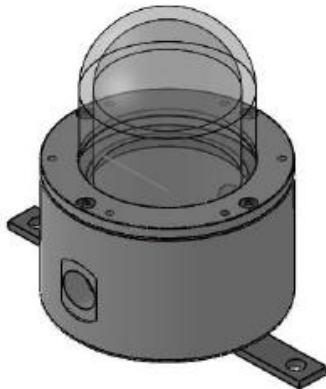
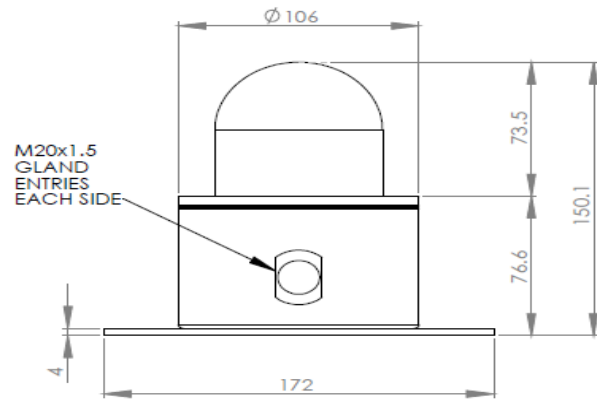
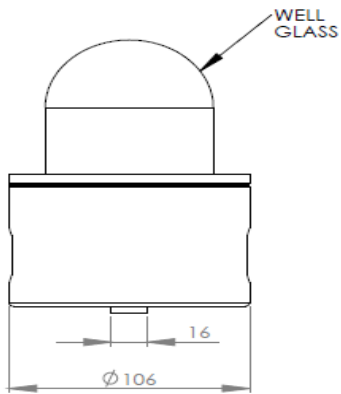
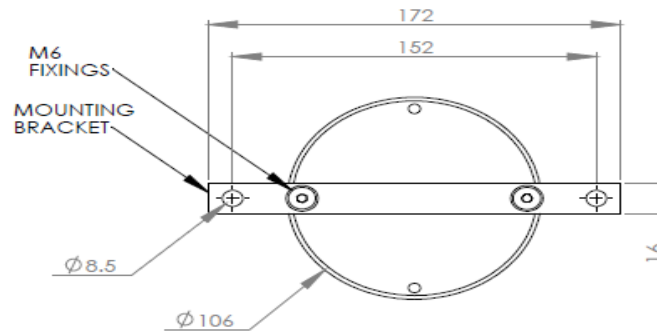
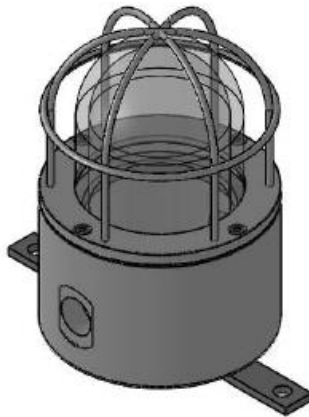
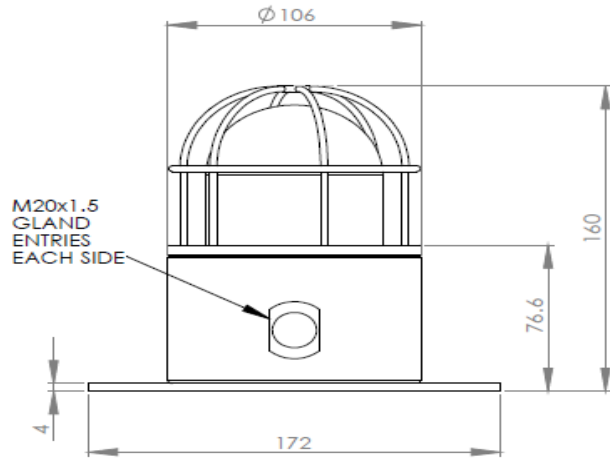
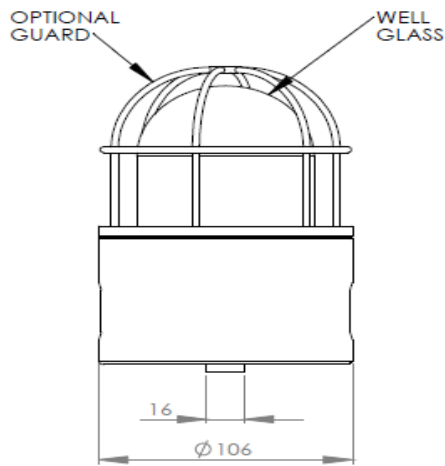
All text, drawings and photography contained within this data sheet are the property of Zitel Ltd and are subject to copyright. Information may neither be transmitted or copied to third parties without the express written consent of Zitel Ltd. Zitel Ltd have a policy of continuous product improvement and contents here in are liable to change without notice.



ZIZTEL LIMITED

email: sales@ziztel.com web: www.ziztel.com tel: +44 (0) 115 9202888
 mail: 96 Rolleston Drive, Arnold, Nottingham, NG5 7JP United Kingdom

All text, drawings and photography contained within this data sheet are the property of Ziztel Ltd and are subject to copyright. Information may neither be transmitted or copied to third parties without the express written consent of Ziztel Ltd. Ziztel Ltd have a policy of continuous product improvement and contents here in are liable to change without notice.



ZIZTEL LIMITED

email: sales@ziztel.com web: www.ziztel.com tel: +44 (0) 115 9202888
 mail: 96 Rolleston Drive, Arnold, Nottingham, NG5 7JP United Kingdom