

# ZCAM2

## HAZARDOUS AREA DAY/NIGHT VISUAL CAMERAS

DS-002 Issue 03

ZIZCAM Ltd are a UK based manufacturer of CCTV Cameras for use in the Hazardous Oil, Gas and Petrochemical industries.

Consequently our products are very robust and designed to comply with international standards.

Please do not hesitate to contact us for further information on our products we look forward to working with you on a project soon...

### ZIZCAM FOR HAZARDOUS AREAS

*Standard or HD (High Definition) camera options*

*Fixed focal length or motorised Zoom lens options*

*Option for combined LED illuminator/Camera*

*Optional integral window wiper mechanism*

*All AISI 316L Stainless Steel construction*

*Integral interfaces for Fibre or Ethernet*

*Option for integral EX junction box*



ZIZCAM moves forward the Oil & Gas Petrochemical CCTV market with a new and exciting product range. The ZCAM2 range of CCTV fixed cameras developed for use in hazardous areas in all offshore, onshore and marine environments. These cameras are constructed entirely from AISI 316L stainless steel for low maintenance and protection from corrosion, small in appearance, lightweight and designed for easy installation and maintenance.

Certified for use in ATEX/IECEx hazardous gas and dust environments, the ZCAM2 range provides for all requirements of daylight and low light safety and surveillance monitoring for hazardous areas. These requirements are further aided for zero light using the ZCAM2-4 IR LED illuminator camera models.

ZIZCAM LIMITED

email: [sales@zizcam.com](mailto:sales@zizcam.com) web: [www.zizcam.com](http://www.zizcam.com) Tel: +44 (0) 115 920 2888

mail: 96 Rolleston Drive, Arnold, Nottingham, NG5 7JP United Kingdom.

©ZIZCAM LIMITED (2014) All text, drawings and photography contained within this data sheet are the property of ZIZCAM Ltd and are subject to copyright. Information may neither be transmitted or copied to third parties without the express written consent of ZIZCAM Ltd.

ZIZCAM Ltd have a policy of continuous product improvement and contents herein are liable to change without notice.



# Technical Specifications

General Specifications	
ATEX Hazardous Area Rating:	II 2 G Ex d IIC T4-T6, Tamb -60°C to +60°C Gb, II 2 D Ex tb IIIC T135°C Tamb -60°C to +60°C Db
IECEX Hazardous Area Rating:	Ex d IIC T4-T6, Tamb -60°C to +60°C Gb, Ex tb IIIC T135°C Tamb -60°C to +60°C Db
CE Approval:	CE Compliant to ATEX 94/9/EC and EMC 2004/108/EC Directives
Construction:	Stainless Steel AISI 316L,
Supply Voltage:	24 Volt AC 50/60Hz, (Optional factory fitted 110/220VAC step down transformer)
Power Consumption:	32 Watts max, 65 Watts for -60°C operation (Up to 100W with IR illuminator)
Cable Entries:	2 x M20 or M25 Ex d barrier gland direct entry, or Ex d e entries to JB
Weight:	6 to 10Kg depending on model
Mounting:	Swivel joint for pole top or wall mount bracket
Certified Temperature Rating:	-60°C to +60°C
Operating Temperature:	-20°C to +60°C standard (-40°C & -60°C option on request)
Ingress Protection:	IP66 & IP68
Telemetry Control Receiver Driver	
Lens Control:	Sony Visca for Zoom Module Cameras
Communication:	RS422/RS485, as standard
Protocols:	Pelco P or D as standard, or to customer specification
Auxiliary Relays:	2 x 24VAC relays for wash wipe

CCD Block Camera Module : <i>(Standard model)</i>	
Imager :	1/4" EXview HAD CCD, PAL/ NTSC, WDR, Day Night, Auto IR Cut filter
Resolution :	550 TV Lines, Wide Dynamic Range (WDR)
Zoom Lense :	36x Optical, f=3.4 to 122.4mm, Autofocus
Day/Night Color/Mono :	Auto/manual ICR, IR Cut filter removal mode.
Colour Sensitivity :	1.4Lux 1/50sec, 0.1Lux 1/3sec
B/W sensitivity:	0.01Lux Mono 1/3sec

ZIZCAM LIMITED  
 email: [sales@zizcam.com](mailto:sales@zizcam.com) web: [www.zizcam.com](http://www.zizcam.com) Tel: +44 (0) 115 920 2888  
 mail: 96 Rolleston Drive, Arnold, Nottingham, NG5 7JP United Kingdom.

©ZIZCAM LIMITED (2014) All text, drawings and photography contained within this data sheet are the property of ZIZCAM Ltd and are subject to copyright. Information may neither be transmitted or copied to third parties without the express written consent of ZIZCAM Ltd.

ZIZCAM Ltd have a policy of continuous product improvement and contents herein are liable to change without notice.



IR LED Illuminator Module :	
Power source :	Integral 24VAC PSU, within Camera enclosure
LED Beam angle :	12° standard
IR LED wavelength :	850nm
Usable range :	Up to 100 metres (dependent on site conditions and Camera/lens sensitivity)
Operation :	Automatic on/off via photo sensor or manual switch via auxiliary command

## Models

ZCAM2-1	Fixed Camera, short length, complete with day/night visual camera module, heater demister, sunshield.
ZCAM2-1-E	Fixed Camera, short length, complete with day/night visual camera module, heater demister, sunshield and integral Ex e junction box.
ZCAM2-2	Fixed Camera, medium length, complete with day/night visual camera module, heater demister, sunshield.
ZCAM2-2-E	Fixed Camera, medium length, complete with day/night visual camera module, heater demister, sunshield and integral Ex e junction box.
ZCAM2-3	Fixed Camera, medium length, complete with day/night visual camera module, heater demister, sunshield and integral window wiper.
ZCAM2-3E	Fixed Camera, medium length, complete with day/night visual camera module, heater demister, sunshield, window wiper and integral Ex e junction box.
ZCAM2-3L	Fixed Camera, long length, complete with day/night visual camera module, heater demister, sunshield and integral window wiper.
ZCAM2-3L-E	Fixed Camera, long length, complete with day/night visual camera module, heater demister, sunshield, window wiper and integral Ex e junction box.
ZCAM2-4	Fixed Camera, medium length, combined LED illuminator and day/night visual camera module, heater demister, sunshield.
ZCAM2-4-E	Fixed Camera, medium length, combined LED illuminator and day/night visual camera module, heater demister, sunshield and integral Ex e junction box.
ZCAM2-4L	Fixed Camera, long length, combined LED illuminator and day/night visual camera module, heater demister and sunshield.
ZCAM2-4L-E	Fixed Camera, medium length, combined LED illuminator and day/night visual camera module, heater demister, sunshield and integral Ex e junction box.

ZIZCAM LIMITED

email: [sales@zizcam.com](mailto:sales@zizcam.com) web: [www.zizcam.com](http://www.zizcam.com) Tel: +44 (0) 115 920 2888

mail: 96 Rolleston Drive, Arnold, Nottingham, NG5 7JP United Kingdom.

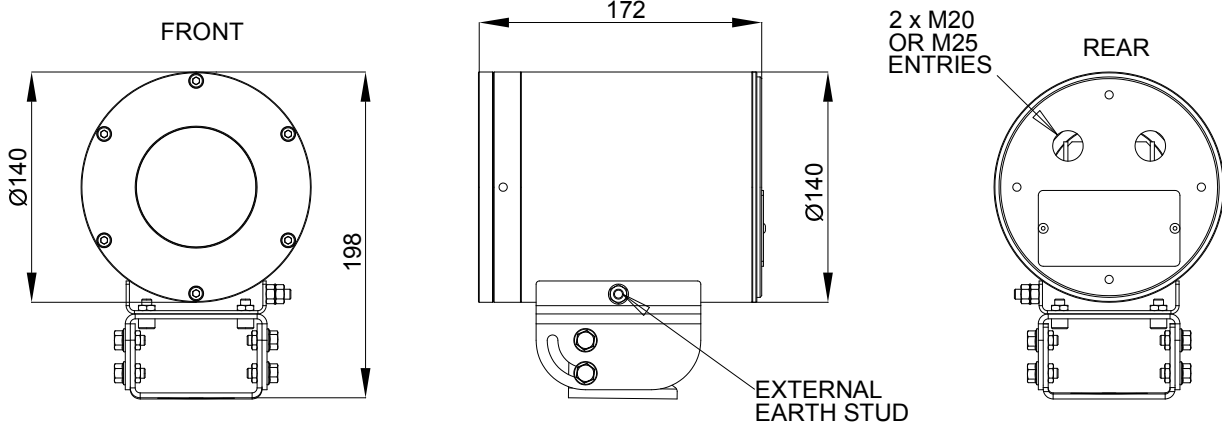
©ZIZCAM LIMITED (2014) All text, drawings and photography contained within this data sheet are the property of ZIZCAM Ltd and are subject to copyright. Information may neither be transmitted or copied to third parties without the express written consent of ZIZCAM Ltd.

ZIZCAM Ltd have a policy of continuous product improvement and contents herein are liable to change without notice.



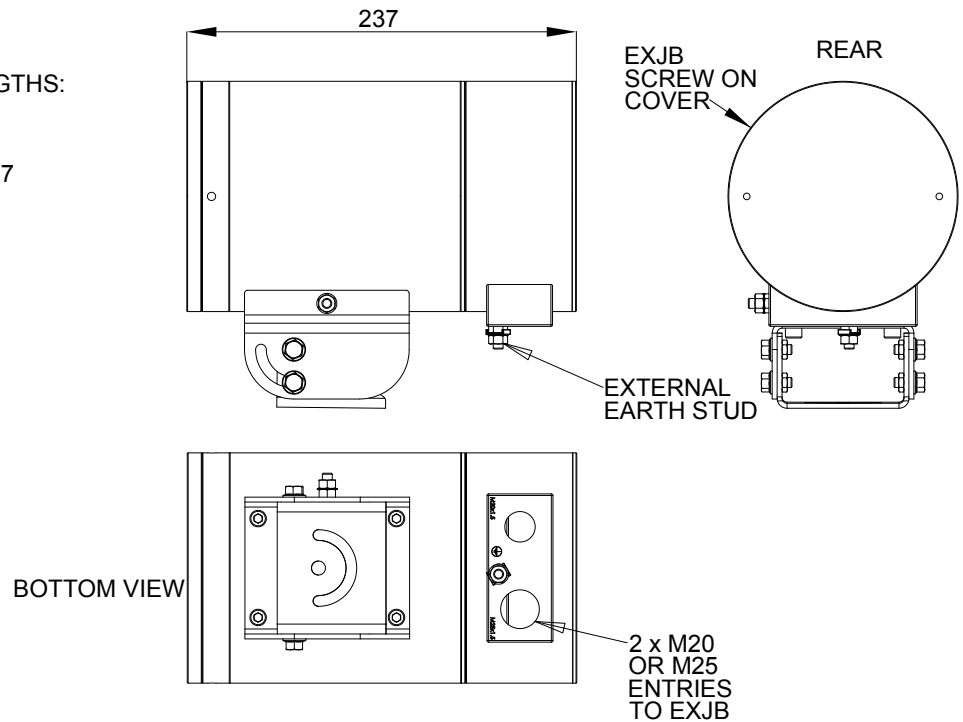
# Standard Housing Dimensions

## ZCAM2-1 & 2 STANDARD CAMERA



## ZCAM2-1 & 2E STANDARD CAMERA WITH EXJB

HOUSING LENGTHS:  
 ZCAM2-1 = 172  
 ZCAM2-E = 237  
 ZCAM2-2 = 252  
 ZCAM2-2E = 317



ZIZCAM LIMITED

email: [sales@zizcam.com](mailto:sales@zizcam.com) web: [www.zizcam.com](http://www.zizcam.com) Tel: +44 (0) 115 920 2888

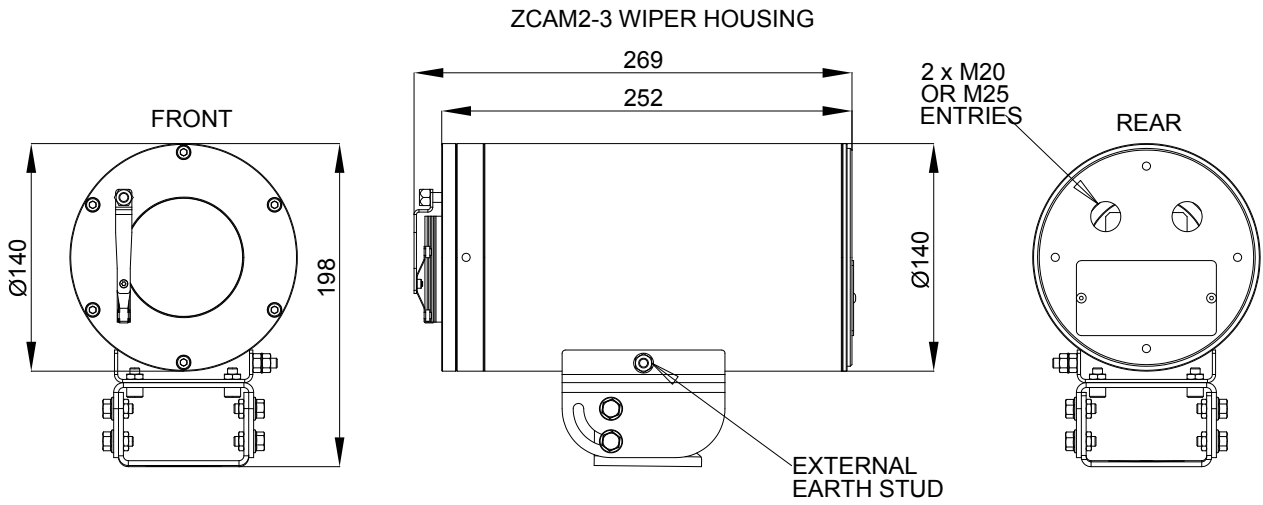
mail: 96 Rolleston Drive, Arnold, Nottingham, NG5 7JP United Kingdom.

©ZIZCAM LIMITED (2014) All text, drawings and photography contained within this data sheet are the property of ZIZCAM Ltd and are subject to copyright. Information may neither be transmitted or copied to third parties without the express written consent of ZIZCAM Ltd.

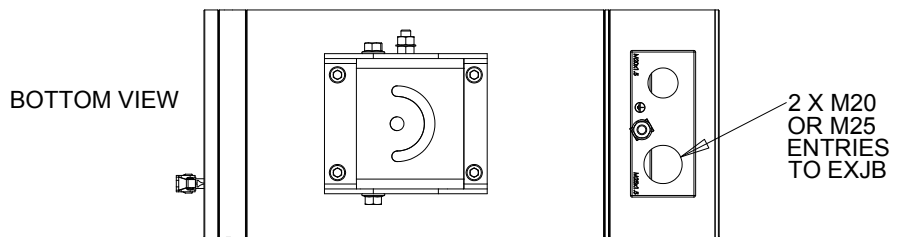
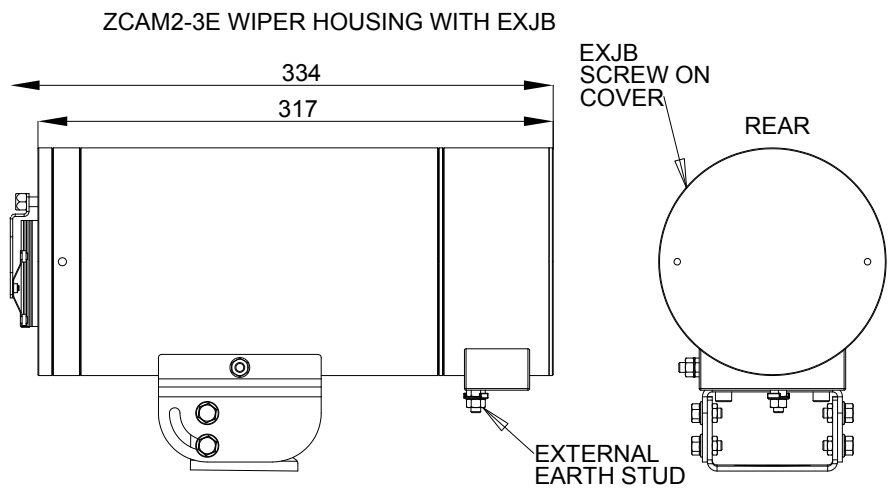
ZIZCAM Ltd have a policy of continuous product improvement and contents herein are liable to change without notice.



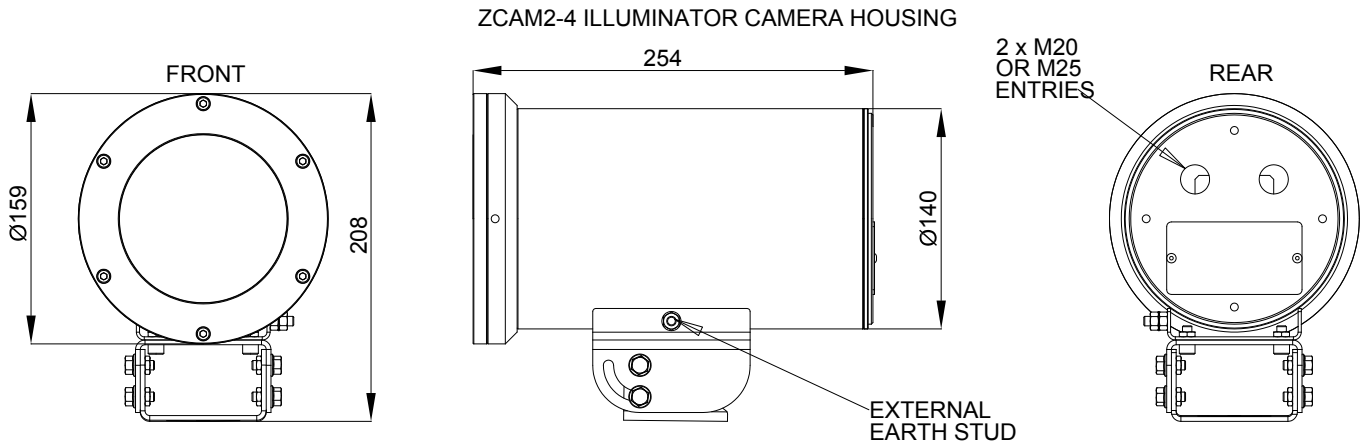
# Standard Wiper Housing Dimensions



**HOUSING MODEL LENGTHS :**  
 ZCAM2-3 = 252  
 ZCAM2-3E = 317  
 ZCAM2-3L = 352  
 ZCAM2-3LE = 417

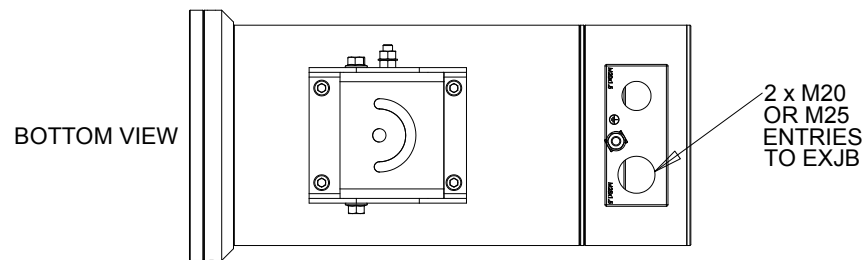
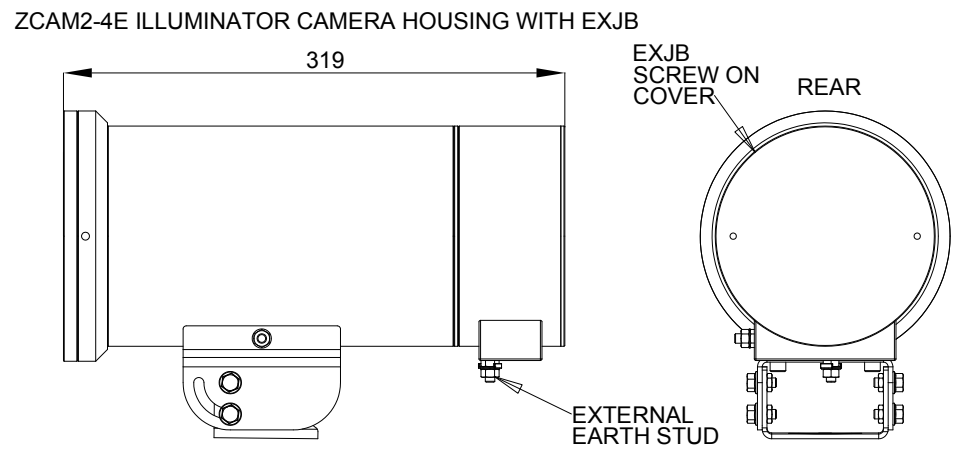


# Standard illuminator Housing Dimensions



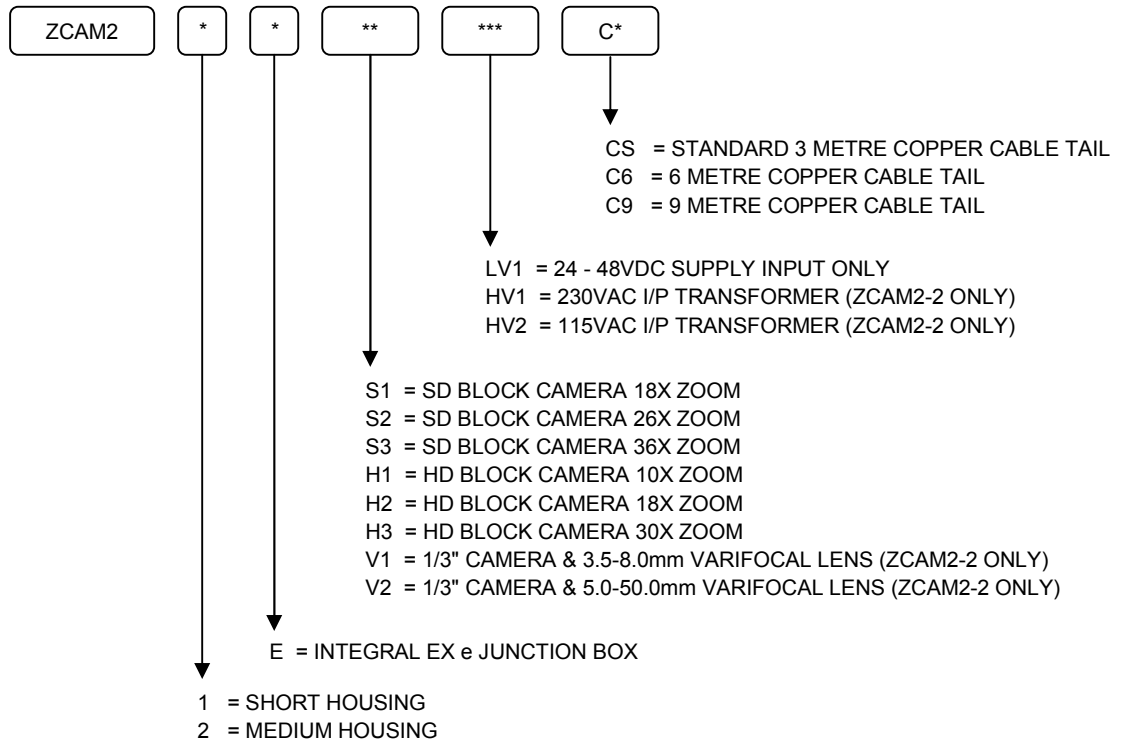
HOUSING MODEL LENGTHS :

- ZCAM2-4 = 254
- ZCAM2-4E = 319
- ZCAM2-3L = 354
- ZCAM2-3LE = 419

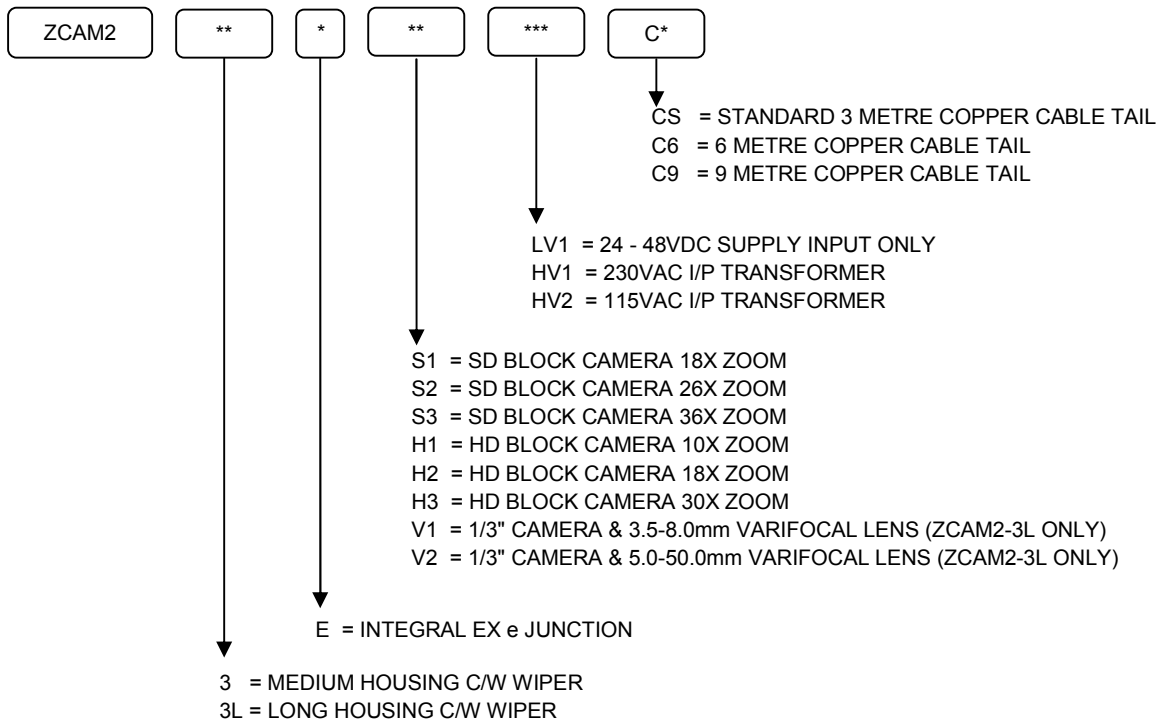


# Part number configuration

## Standard Housing models



## Standard Wiper Housing models



ZIZCAM LIMITED

email: [sales@zizcam.com](mailto:sales@zizcam.com) web: [www.zizcam.com](http://www.zizcam.com) Tel: +44 (0) 115 920 2888

mail: 96 Rolleston Drive, Arnold, Nottingham, NG5 7JP United Kingdom.

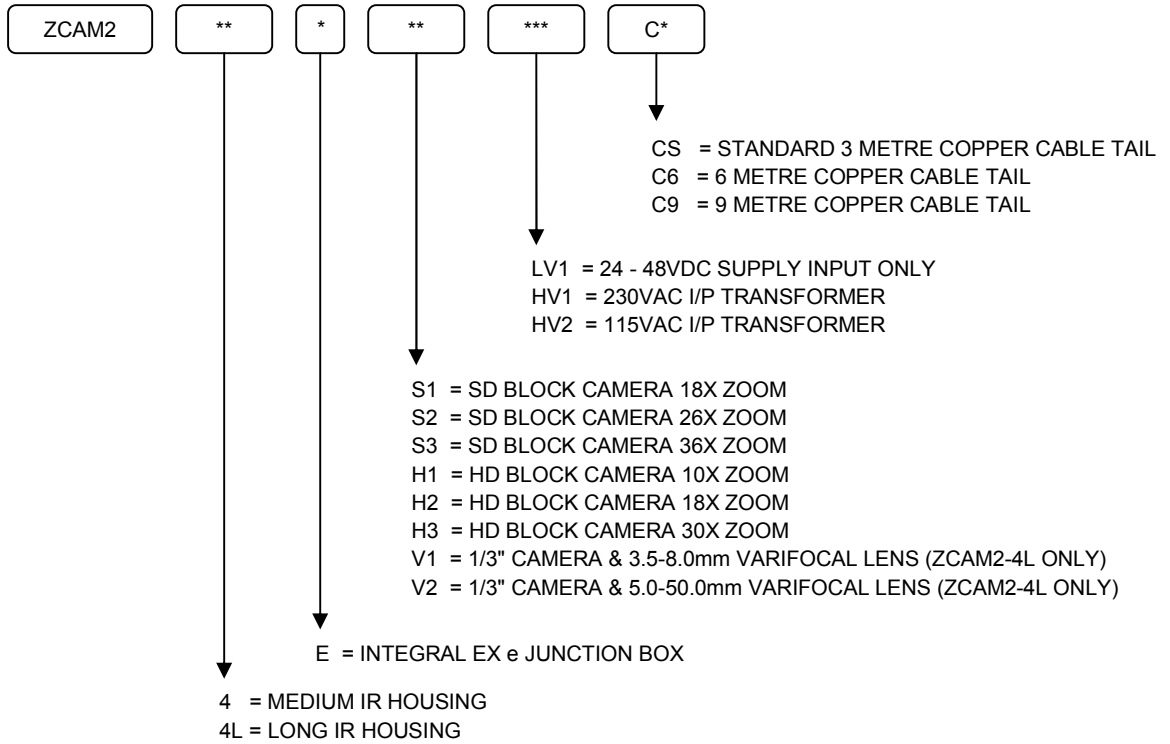
©ZIZCAM LIMITED (2014) All text, drawings and photography contained within this data sheet are the property of ZIZCAM Ltd and are subject to copyright. Information may neither be transmitted or copied to third parties without the express written consent of ZIZCAM Ltd.

ZIZCAM Ltd have a policy of continuous product improvement and contents herein are liable to change without notice.



# Part number configuration

## Standard IR illuminator models



ZIZCAM LIMITED

email: [sales@zizcam.com](mailto:sales@zizcam.com) web: [www.zizcam.com](http://www.zizcam.com) Tel: +44 (0) 115 920 2888

mail: 96 Rolleston Drive, Arnold, Nottingham, NG5 7JP United Kingdom.

©ZIZCAM LIMITED (2014) All text, drawings and photography contained within this data sheet are the property of ZIZCAM Ltd and are subject to copyright. Information may neither be transmitted or copied to third parties without the express written consent of ZIZCAM Ltd.

ZIZCAM Ltd have a policy of continuous product improvement and contents herein are liable to change without notice.

