

ZCAM4 - TI & DI

HAZARDOUS AREA THERMAL PTZ CAMERAS

DS-008 Issue 01

ZIZCAM Ltd are a UK based manufacturer of CCTV Cameras for use in the Hazardous Oil, Gas and Petrochemical industries.

Consequently our products are very robust and designed to comply with international standards.

Please do not hesitate to contact us for further information on our products we look forward to working with you on a project soon...

ZIZCAM FOR HAZARDOUS AREAS

Single Thermal Imaging Camera option

Standard or High Definition visual camera option for dual imager

Continuous 360 degree rotation

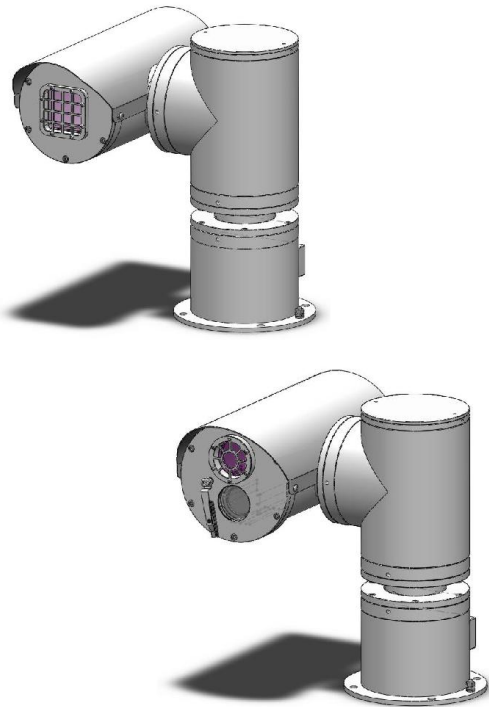
Anti-backlash gearing

Brushless motors for longevity

AISI 316L Stainless Steel

Integral Pelco D or P protocol Telemetry Receiver

Optional interfaces for Analogue, Fibre or Ethernet



ZIZCAM moves forward the Oil & Gas Petrochemical CCTV market with a new and exciting product.

The ZCAM4 range of CCTV pan tilt zoom cameras developed for use in hazardous areas in all offshore, onshore and marine environments. These cameras are constructed entirely from AISI 316L stainless steel for low maintenance and protection from corrosion, small in appearance, lightweight and designed for easy installation and maintenance.

Certified for use in ATEX/IECEX hazardous gas and dust environments, the ZCAM4 range provides for all requirements of low light and zero light safety and surveillance monitoring for hazardous areas.

ZIZCAM LIMITED

email: sales@zizcam.com web: www.zizcam.com Tel: +44 (0) 115 920 2888

mail: 96 Rolleston Drive, Arnold, Nottingham, NG5 7JP United Kingdom.

©ZIZCAM LIMITED (2014) All text, drawings and photography contained within this data sheet are the property of ZIZCAM Ltd and are subject to copyright. Information may neither be transmitted or copied to third parties without the express written consent of ZIZCAM Ltd.

ZIZCAM Ltd have a policy of continuous product improvement and contents herein are liable to change without notice.



Technical Specifications

General Specifications	
ATEX Hazardous Area Rating:	II 2 G Ex d IIC T4-T6, Tamb -60°C to +60°C Gb, II 2 D Ex tb IIIC T135°C Tamb -60°C to +60°C Db
IECEX Hazardous Area Rating:	Ex d IIC T4-T6, Tamb -60°C to +60°C Gb, Ex tb IIIC T135°C Tamb -60°C to +60°C Db
CE Approval:	CE Compliant to ATEX 94/9/EC and EMC 2004/108/EC Directives
Construction:	Stainless Steel AISI 316L,
Supply Voltage:	24 Volt AC 50/60Hz, (Optional factory fitted 110/220VAC step down transformer in base)
Power Consumption:	100 Watts max
Cable Entries:	2 x M25 or M20 Ex d barrier gland entry at base
Weight:	22 to 25Kg depending on model
Mounting:	4 x M10 fixings on 164mm PCD
Certified Temperature Rating:	-60°C to +60°C
Operating Temperature:	-20°C to +60°C standard (-40°C & -60°C option on request)
Ingress Protection:	IP66 & IP68
Pan Tilt Unit	
Pan Angle:	360° continuous rotation
Tilt Angle:	+90°/-90° max from horizontal
Preset positioning:	Fitted as standard
Positioning accuracy:	<0.1°, anti backlash gearing
Speed:	Variable 0.1 to 55°/sec Pan and Tilt (nominal)
Limits:	User adjustable software stops, where required
Telemetry Control Receiver Driver	
Pan Tilt Motor Drive:	0 to 24VDC variable speed, brushless DC motors
Lens Control:	Sony Visca or Samsung control for Zoom Module Cameras
Presets:	64 preset positions standard
Communication:	RS422/RS485, as standard
Protocols:	Pelco P and D as standard, or to customer specification
Auxiliary Relays:	2 x 24VAC relays for wash wipe

ZIZCAM LIMITED

email: sales@zizcam.com web: www.zizcam.com Tel: +44 (0) 115 920 2888

mail: 96 Rolleston Drive, Arnold, Nottingham, NG5 7JP United Kingdom.

©ZIZCAM LIMITED (2014) All text, drawings and photography contained within this data sheet are the property of ZIZCAM Ltd and are subject to copyright. Information may neither be transmitted or copied to third parties without the express written consent of ZIZCAM Ltd.

ZIZCAM Ltd have a policy of continuous product improvement and contents herein are liable to change without notice.



CCD Block Camera Module :

Imager :	1/4" EXview HAD CCD, PAL/ NTSC, WDR, Day Night, Auto IR Cut filter
Resolution :	550 TV Lines, Wide Dynamic Range (WDR)
Zoom Lense :	36x Optical, f=3.4 to 122.4mm, Autofocus
Day/Night Color/Mono :	Auto/manual ICR, IR Cut filter removal mode.
Colour Sensitivity :	1.4Lux 1/50sec, 0.1Lux 1/3sec
B/W sensitivity:	0.01Lux Mono 1/3sec

Thermal Imager Module :

Imager :	Uncooled VOx Microbolometer, PAL/NTSC Composite Video	
Spectral Range :	7.5 to 13.5µm, Long wave infra red (LWIR)	
Resolution :	324 x 256 pixels	640 x 512 pixels
Lens options :	50mm 9.1° HFOV (standard), 35mm 13° HFOV, 25mm 18° HFOV,	50mm 12.4° HFOV (standard), 35mm 18° HFOV, 25mm 25° HFOV,
Digital Zoom:	2x, 4x and continuous	2x, 4x, 8x and continuous

Models

- ZCAM4-TI Exd IIC Integrated Pan Tilt 24VDC variable speed 0 to 55°/sec, single thermal imager housing, complete with integral heater demister and sunshield.
- ZCAM4-DI Exd IIC Integrated Pan Tilt 24VDC variable speed 0 to 55°/sec, dual sensor housing, complete with 36x zoom analogue visual camera module, thermal imaging camera, integral heater demister and sunshield.
- ZCAM4-DI-W Exd IIC Integrated Pan Tilt 24VDC variable speed 0 to 55°/sec, dual sensor housing, complete with 36x zoom analogue visual camera module, thermal imaging camera, integral window wiper, heater demister and sunshield.

ZIZCAM LIMITED

email: sales@zizcam.com web: www.zizcam.com Tel: +44 (0) 115 920 2888

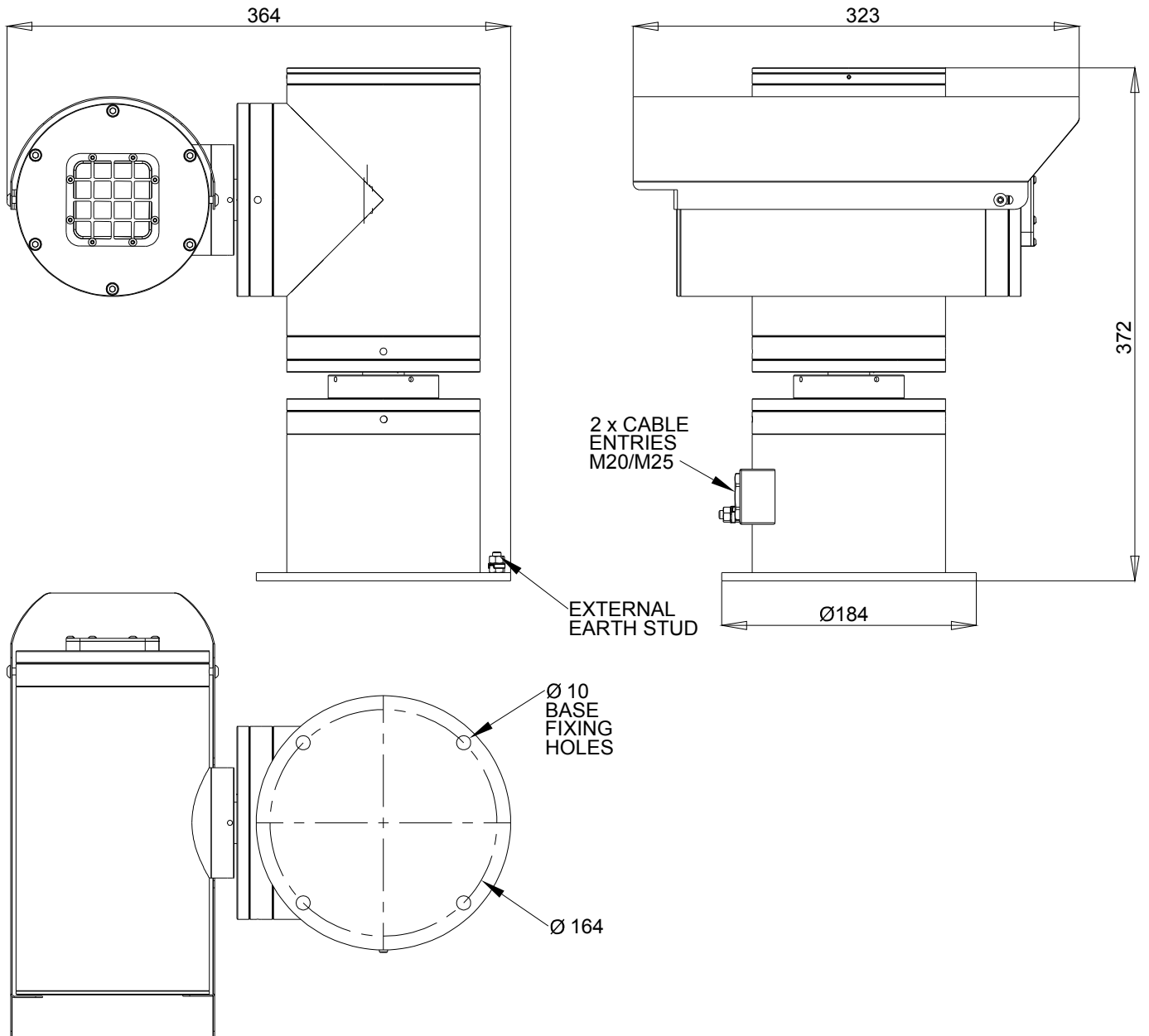
mail: 96 Rolleston Drive, Arnold, Nottingham, NG5 7JP United Kingdom.

©ZIZCAM LIMITED (2014) All text, drawings and photography contained within this data sheet are the property of ZIZCAM Ltd and are subject to copyright. Information may neither be transmitted or copied to third parties without the express written consent of ZIZCAM Ltd.

ZIZCAM Ltd have a policy of continuous product improvement and contents herein are liable to change without notice.



Dimensions (model shown ZCAM4-TI)



ZIZCAM LIMITED

email: sales@zizcam.com web: www.zizcam.com Tel: +44 (0) 115 920 2888

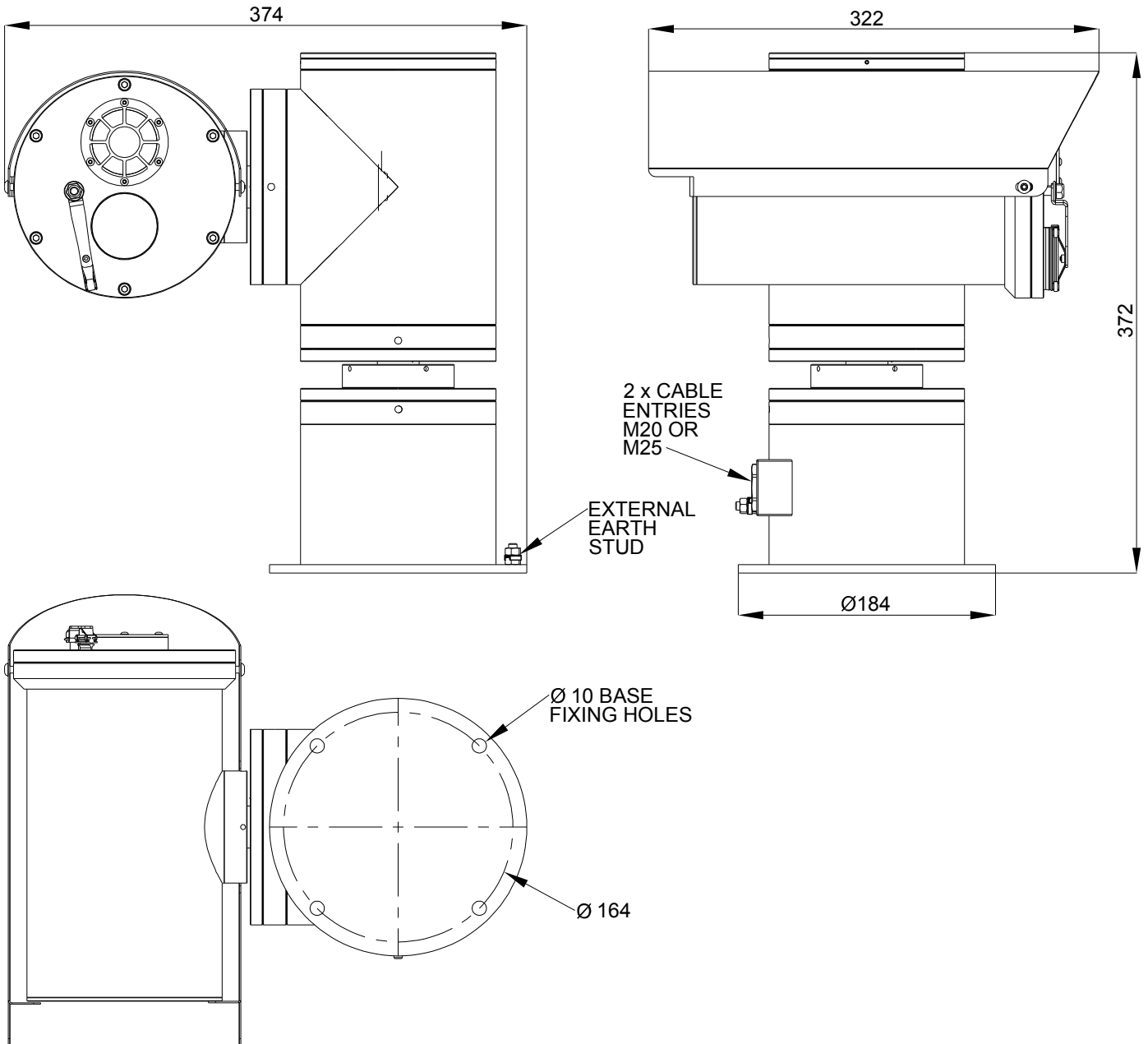
mail: 96 Rolleston Drive, Arnold, Nottingham, NG5 7JP United Kingdom.

©ZIZCAM LIMITED (2014) All text, drawings and photography contained within this data sheet are the property of ZIZCAM Ltd and are subject to copyright. Information may neither be transmitted or copied to third parties without the express written consent of ZIZCAM Ltd.

ZIZCAM Ltd have a policy of continuous product improvement and contents herein are liable to change without notice.



Dimensions (model shown ZCAM4-DI-W)



ZIZCAM LIMITED

email: sales@zizcam.com web: www.zizcam.com Tel: +44 (0) 115 920 2888

mail: 96 Rolleston Drive, Arnold, Nottingham, NG5 7JP United Kingdom.

©ZIZCAM LIMITED (2014) All text, drawings and photography contained within this data sheet are the property of ZIZCAM Ltd and are subject to copyright. Information may neither be transmitted or copied to third parties without the express written consent of ZIZCAM Ltd.

ZIZCAM Ltd have a policy of continuous product improvement and contents herein are liable to change without notice.

