

ZCAM4-4*WA-36 *Integral adaptive IR illuminator* GEN3 HAZARDOUS AREA HD IP PTZ CAMERA

DS-153 Issue 01

ZIZCAM Ltd are a UK based manufacturer of CCTV Cameras for use in the Hazardous Oil, Gas and Petrochemical industries.

Consequently our products are very robust and designed to comply with international standards.

Please do not hesitate to contact us for further information on our products we look forward to working with you on a project soon...



ZIZCAM FOR HAZARDOUS AREAS

2MP 36x Zoom Full HD IP onboard camera

Continuous, 360 degree, rotation

Direct drive, Zero backlash Brushless DC motors for longevity

Outstanding accuracy and dynamic range

AISI 316L Stainless Steel

Integral IR LED illuminator

ONVIF Profile S,T,G and M compliant

Direct Fibre output or Ethernet

ZIZCAM moves forward the Oil & Gas Petrochemical CCTV market with a new and exciting product.

The 3rd Generation ZCAM4-4 uses technology new to the CCTV industry, providing outstanding and ultra-reliable performance. Each axis is driven directly without intermediate belts or gears by our unique brushless DC digital servo drives to give a previously unattainable level of positional accuracy, repeatability, zero backlash, smoothness and silent operation. This results in a very high-end performing positioning system at commercial cost, with very long life and maintenance free, leading to low cost of ownership.

The optional, integral adaptive illuminator covers up to 150 metres.

The ZCAM4-4 is constructed entirely from AISI 316L stainless steel for low maintenance and protection from corrosion, small in appearance, lightweight and designed for easy installation and maintenance.

Certified for use in ATEX/IECEx hazardous gas and dust environments, the ZCAM4-4 range provides for all requirements of safety and surveillance monitoring for hazardous areas.

ZIZCAM LIMITED

email: sales@zizcam.com web: www.zizcam.com Tel: +44 (0) 115 920 2888
mail: 96 Rolleston Drive, Arnold, Nottingham, NG5 7JP United Kingdom.

©ZIZCAM LIMITED (2023) All text, drawings and photography contained within this data sheet are the property of ZIZCAM Ltd and are subject to copyright. Information may neither be transmitted or copied to third parties without the express written consent of ZIZCAM Ltd.

ZIZCAM Ltd have a policy of continuous product improvement and contents herein are liable to change without notice.



Technical Specifications

| General Specifications | |
|--|--|
| ATEX Hazardous Area Rating: | II 2 G Ex db, eb, op-pr, IIC T6-T4, Gb, Tamb -60°C to +70°C II 2 D Ex tb IIIC T135°C Db |
| IECEX Hazardous Area Rating: | Ex db, eb, op-pr, IIC T6-T4, Gb, Tamb -60°C to +70°C Ex tb IIIC T135°C Db |
| CE Approval: | CE Compliant to ATEX 2014/34/EC and EMC 2014/30/EU Directives |
| Construction: | Stainless Steel AISI 316L |
| Supply Voltage: | 48VDC 2.0A max (Optional factory fitted 24VDC to 48VDC PSU in base) (Optional factory fitted 85-264VAC Mains PSU in base) |
| Power Consumption: | 82 Watts nominal |
| Cable Entries: | 2 x M20/M25 Ex d barrier gland entry at base, Power, Ethernet CAT6 or Fibre Optic field cables |
| Weight: | 28Kg |
| Mounting: | 4 x M10 fixings on 164mm PCD |
| Certified Temperature Rating: | -60°C to +70°C |
| Operating Temperature: | -25°C to +60°C standard (-40°C & -60°C option on request) |
| Ingress Protection: | IP66 |
| Pan Tilt Unit | |
| Pan Angle: | 360° continuous rotation |
| Tilt Angle: | +90°/-90° max from horizontal (360° continuous rotation option) |
| Preset positioning: | 256 Fitted as standard, 16 tours, programmable Park position. |
| Positioning accuracy: | <0.02° |
| Speed: | Variable 0.05 to 180°/sec Pan and Tilt (nominal) zero backlash. Proportional Pan/Tilt control, continually matches pan and tilt speeds to zoom position |
| Telemetry Control Receiver Driver | |
| Pan Tilt Motor Drive: | 48VDC variable speed, brushless DC servo drives |
| Lens Control: | Via integral IP ONVIF interface |
| Communication: | ONVIF Ethernet to VMS or Web browser, internal RS485 telemetry control for PTZ and wash wipe |
| Wiper: | Fitted as standard (integrated control) |
| Telemetry & Auxiliary relay Protocols: | Pelco P and D as standard, or to customer specification, configured via web page or VMS |
| Digital IO: | 1 Alarm input |
| Auxiliary Relay: | Internal 24VDC out for washer system activation. |

ZIZCAM LIMITED

email: sales@zizcam.com web: www.zizcam.com Tel: +44 (0) 115 920 2888

mail: 96 Rolleston Drive, Arnold, Nottingham, NG5 7JP United Kingdom.

©ZIZCAM LIMITED (2023) All text, drawings and photography contained within this data sheet are the property of ZIZCAM Ltd and are subject to copyright. Information may neither be transmitted or copied to third parties without the express written consent of ZIZCAM Ltd.

ZIZCAM Ltd have a policy of continuous product improvement and contents herein are liable to change without notice.



| Integral IR LED Illuminator Module: | |
|--|---|
| Power source: | Integral PSU, within Camera enclosure |
| IR LED Wavelength/Beam angle: | 850nm - Variable between 49° and 10° - Zoom position tracking |
| Usable range: | Up to 150 metres (dependent on, site conditions and Camera/lens sensitivity) |
| Operation: | Adjusts the lighting intensity and beam angle for optimal scene illumination, according to relative zoom lens position. |
| Zoom Camera Module: Full HD 2MP 36x Zoom | |
| Imager: | 1/2.0" Sony Progressive Scan CMOS Sensor |
| Zoom: | 36x Optical, 8x Digital |
| Focal Length: | f = 6.0mm (wide) to 216mm (tele) - (F1.5 to F4.8) |
| Angle of view: | Horizontal: 58.2°(wide) ~ 1.6°(tele), Vertical: 33.9°(wide) ~ 0.94°(tele) |
| Focus control: | One-shot AF, Manual |
| Minimum illumination: | Colour: 0.005 Lux (1/30sec, 30IRE), BW: 0 Lux (IR ON) |
| Day & Night: | Auto/Manual (ICR) Colour / B/W |
| Image Stabilisation: | EIS (Gyro sensor) |
| Backlight compensation: | BLC / HLC / WDR |
| Wide Dynamic Range: | Yes, 120dB |
| Noise Reduction: | Auto/Manual |
| Electronic Shutter speed: | 1/1 to 1/100,000 sec. |
| White Balance: | Auto tracing white / Auto white / Manual |
| Defog: | Support |
| Image rotation: | Horizontal (Mirror), Vertical (Flip) |
| Compression: | H.264 / H.265 / MJPEG |
| Effective Pixels: | 2.07 Megapixels |
| Frame Rate: | Max 60fps @ 1920x1080 |
| Bit Rate: | Primary: 32Kbps ~ 16Mbps, Secondary: 32Kbps ~ 4Mbps |
| Bit rate control: | H.264/H.265: CBR / VBR / Hybrid, MJPEG: VBR |
| Resolutions: | Primary 1920x1080, Secondary (#1) 1920x1080~352x240, Secondary (#2) 1280x720~352x240, Secondary (#3) 720x480~352x240 |
| Streaming: | Quad Streaming: Primary: H.264, H.265, Secondary x 3: H.264, H.265, MJPEG |
| Motion Detection: | Will detect any activity in an area or crossing a point of interest. |
| Tamper/Sabotage: | Detects any changes in video such as loss, lighting, covered, moved. |

ZIZCAM LIMITED

email: sales@zizcam.com web: www.zizcam.com Tel: +44 (0) 115 920 2888
 mail: 96 Rolleston Drive, Arnold, Nottingham, NG5 7JP United Kingdom.

©ZIZCAM LIMITED (2023) All text, drawings and photography contained within this data sheet are the property of ZIZCAM Ltd and are subject to copyright. Information may neither be transmitted or copied to third parties without the express written consent of ZIZCAM Ltd.

ZIZCAM Ltd have a policy of continuous product improvement and contents herein are liable to change without notice.



| Networking features: | |
|----------------------|---|
| Ethernet connection: | RJ-45 (10/100BASE-T) or Direct Fibre output via media converter in PSU Junction box. |
| Video streams: | 3 streams, H.264(MP/HP), H.265(MP), MJPEG |
| Protocols: | IPv4/v6, TCP, UDP, IGMP(Multicast), ICMP, DHCP, HTTP, HTTPS, RTP, RTSP, FTP, SNMP, SMTP, UPnP, WS-Discovery, Zero Configuration, NTP, DDNS, RTMP, ONVIF |
| Security: | Basic/Digest authentication, HTTPS, IP address filtering, User access log, TTA certification |
| Operation: | Via Web Page, ONVIF Profile S, T, G and M Compliant. |
| VMS compatibility: | Milestone Xprotect, Genetec Security Centre, FLIR Latitude, Pelco VideoXpert, Wavestore, Hanwha Wisenet, Qognify Cayuga, Bosch BVMS. |
| Firmware update: | Via IP connection |

Models

ZCAM4-4-WA-36-*** Exd IIC Integrated Pan Tilt, variable speed 0 to 180°/sec, complete with 36x zoom 2MP HD camera module, IR LED illuminator module, heater demister and sunshield.

ZCAM4-4W-WA-36-*** Exd IIC Integrated Pan Tilt, variable speed 0 to 180°/sec, complete with 36x zoom 2MP HD camera module, IR LED illuminator module, integral window wiper, heater demister and sunshield.

Add suffix

HV1, for integral 85-264VAC Mains PSU option.

LV1, for integral 24VDC supply option

Blank for standard 48VDC supply option

For Fibre Optic Media converter options please contact sales@zizcam.com

ZIZCAM LIMITED

email: sales@zizcam.com web: www.zizcam.com Tel: +44 (0) 115 920 2888

mail: 96 Rolleston Drive, Arnold, Nottingham, NG5 7JP United Kingdom.

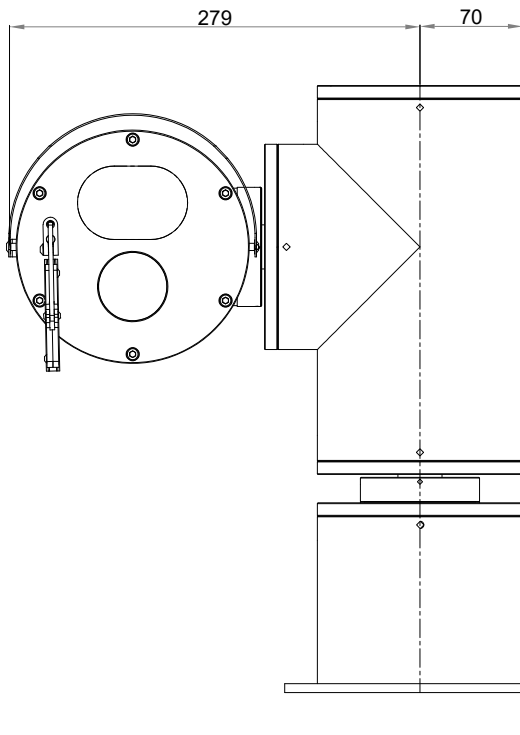
©ZIZCAM LIMITED (2023) All text, drawings and photography contained within this data sheet are the property of ZIZCAM Ltd and are subject to copyright. Information may neither be transmitted or copied to third parties without the express written consent of ZIZCAM Ltd.

ZIZCAM Ltd have a policy of continuous product improvement and contents herein are liable to change without notice.

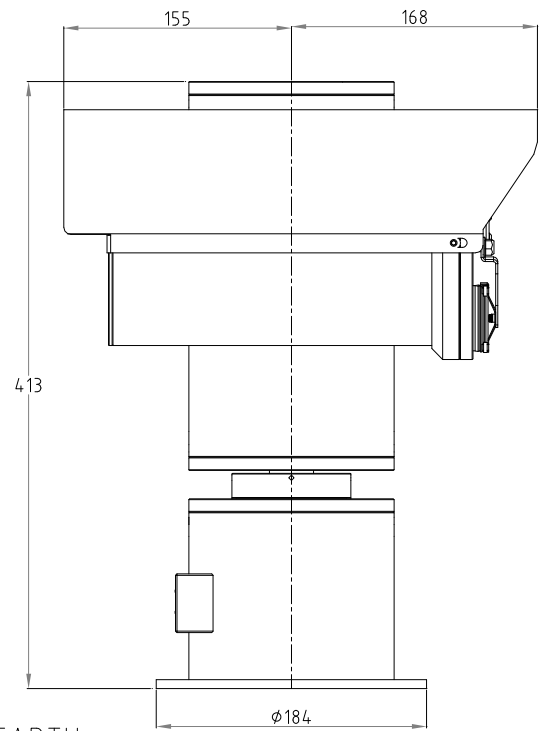


Dimensions (model shown ZCAM4-4W)

FRONT VIEW

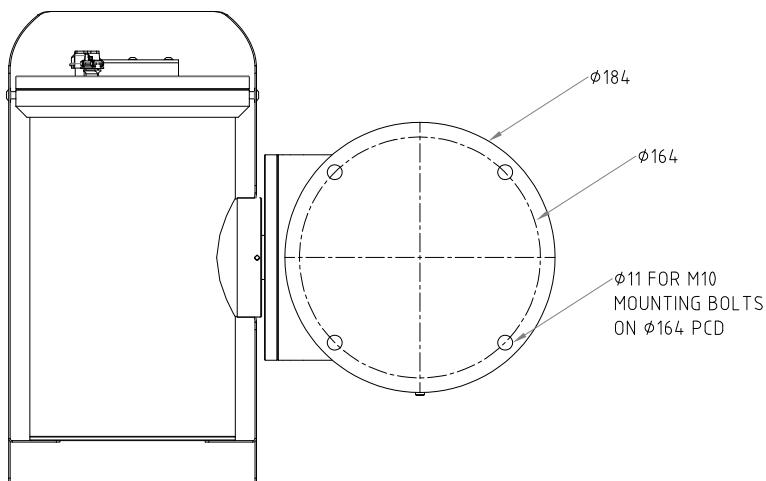


LEFT VIEW



M6 EARTH
STUD

BOTTOM VIEW



ZIZCAM LIMITED

email: sales@zizcam.com web: www.zizcam.com Tel: +44 (0) 115 920 2888

mail: 96 Rolleston Drive, Arnold, Nottingham, NG5 7JP United Kingdom.

©ZIZCAM LIMITED (2023) All text, drawings and photography contained within this data sheet are the property of ZIZCAM Ltd and are subject to copyright. Information may neither be transmitted or copied to third parties without the express written consent of ZIZCAM Ltd.

ZIZCAM Ltd have a policy of continuous product improvement and contents herein are liable to change without notice.

