

ZCAM4-5-wx

HAZARDOUS AREA HD IP PTZ CAMERA

DS-087 Issue 04

ZIZCAM Ltd are a UK based manufacturer of CCTV Cameras for use in the Hazardous Oil, Gas and Petrochemical industries.

Consequently our products are very robust and designed to comply with international standards.

Please do not hesitate to contact us for further information on our products we look forward to working with you on a project soon...

ZIZCAM FOR HAZARDOUS AREAS

2MP HD IP onboard camera

Continuous 360 degree rotation

Direct drive, Zero backlash Brushless DC motors for longevity

Outstanding accuracy and dynamic range

AISI 316L Stainless Steel

ONVIF compliant

Direct Fibre output or Ethernet



ZIZCAM moves forward the Oil & Gas Petrochemical CCTV market with a new and exciting product.

The ZCAM4-5 uses technology new to the CCTV industry, providing outstanding and ultra-reliable performance. Each axis is driven directly without intermediate belts or gears by our unique brushless DC digital servo drives to give a previously unattainable level of positional accuracy, repeatability, zero backlash, smoothness and silent operation. This results in military performance at commercial cost, with very long life and maintenance free, leading to low cost of ownership.

The ZCAM4-5 motors have positional intelligence and will maintain or recover to its correct position immediately in heavy winds or being knocked out of position.

The ZCAM4-5 is constructed entirely from AISI 316L stainless steel for low maintenance and protection from corrosion, small in appearance, lightweight and designed for easy installation and maintenance.

Certified for use in ATEX/IECEx hazardous gas and dust environments, the ZCAM4-5 range provides for all requirements of safety and surveillance monitoring for hazardous areas.

ZIZCAM LIMITED

email: sales@zizcam.com web: www.zizcam.com Tel: +44 (0) 115 920 2888

mail: 96 Rolleston Drive, Arnold, Nottingham, NG5 7JP United Kingdom.

©ZIZCAM LIMITED (2022) All text, drawings and photography contained within this data sheet are the property of ZIZCAM Ltd and are subject to copyright. Information may neither be transmitted or copied to third parties without the express written consent of ZIZCAM Ltd.

ZIZCAM Ltd have a policy of continuous product improvement and contents herein are liable to change without notice.



Technical Specifications

General Specifications	
ATEX Hazardous Area Rating:	II 2 G Ex db, eb, op-pr, IIC T6-T4, Gb, Tamb -60°C to +70°C II 2 D Ex tb IIIC T135°C Db
IECEX Hazardous Area Rating:	Ex db, eb, op-pr, IIC T6-T4, Gb, Tamb -60°C to +70°C Ex tb IIIC T135°C Db
CE Approval:	CE Compliant to ATEX 2014/34/EC and EMC 2014/30/EU Directives
Construction:	Stainless Steel AISI 316L
Supply Voltage:	48VDC 2.0A max (Optional factory fitted 85-264VAC Mains PSU in base)
Power Consumption:	72 Watts max
Cable Entries:	2 x M20/M25 Ex d barrier gland entry at base, Power, Ethernet CAT6 or Fibre Optic field cables
Weight:	22Kg
Mounting:	4 x M10 fixings on 164mm PCD
Certified Temperature Rating:	-60°C to +70°C
Operating Temperature:	-20°C to +60°C standard (-40°C & -60°C option on request)
Ingress Protection:	IP66, IP67 & IP68
Pan Tilt Unit	
Pan Angle:	360° continuous rotation
Tilt Angle:	+90°/-90° max from horizontal (360° continuous rotation option)
Pre-set positions:	200 Fitted as standard, optical encoder.
Positioning accuracy:	+/-0.02°
Speed:	Variable 0.05 to 180°/sec Pan and Tilt (nominal) zero backlash. Proportional Pan/Tilt control, continually matches pan and tilt speeds to zoom position
Camera housing Encoder & Telemetry Control Receiver Driver	
Pan Tilt Motor Drive:	48VDC variable speed, brushless DC motors
Lens Control:	Via integral serial interface Pelco protocol
Communication:	Ethernet to internal encoder RS422/RS485 Pan Tilt interface and washer control
Auxiliary relay Protocols:	Pelco P and D as standard, or to customer specification
Auxiliary Relays:	2 x 24VDC relays for wash wipe
Internal Housing Dimensions:	77W x 80H x 165D mm

ZIZCAM LIMITED

email: sales@zizcam.com web: www.zizcam.com Tel: +44 (0) 115 920 2888
mail: 96 Rolleston Drive, Arnold, Nottingham, NG5 7JP United Kingdom.

©ZIZCAM LIMITED (2022) All text, drawings and photography contained within this data sheet are the property of ZIZCAM Ltd and are subject to copyright. Information may neither be transmitted or copied to third parties without the express written consent of ZIZCAM Ltd.

ZIZCAM Ltd have a policy of continuous product improvement and contents herein are liable to change without notice.



Zoom Camera Module : Hanwha Techwin XNZ-L6320 - HD 32x Zoom module	
Image Size:	1/2.8" 2MP CMOS
Effective Pixels:	1944(H)x1212(V)
Resolution:	1920x1080, 1280x1024, 1280x960, 1280x720, 1024x768, 800x600, 800x448, 720x576, 720x480, 640x480, 640x360, 320x240
Optical Zoom:	32x
Digital Zoom:	16x
Focal Length:	4.44~142.6mm (32x) motorized varifocal
Horizontal angle of view:	61.8° (w) - 2.19° (t)
Vertical angle of view:	36.2° (w) - 1.24° (t)
Aperture:	F1.6(Wide) / F4.4(Tele)
Focus:	Auto, One shot AF
Day & Night:	Auto (ICR) / Colour / B/W
Iris:	DC Auto IRIS
Wide Dynamic Range:	120dB
Digital Noise Reduction:	SSNR V
Electronic Shutter speed:	Minimum / Maximum / Anti flicker (2 ~ 1/12,000sec)
Backlight compensation	BLC, HLC, WDR, SSSDR
White Balance:	ATW / AWC / Manual / Indoor / Outdoor
Minimum illumination:	Colour: 0.03 lux (F1.6, 1/30sec) B/W: 0.005 lux (F1.6, 1/30sec)
Digital Image Stabilization:	OFF/ON
Defog:	Off / Auto / Manual
Alarm I/O:	Input 1ea / Output 1ea (Relay)
Fibre Optic interface:	Direct Fibre Optic connection via integral Fibre Optic media converter
Camera module dimensions:	72W x 63.9H x135.4D mm

ZIZCAM LIMITED

email: sales@zizcam.com web: www.zizcam.com Tel: +44 (0) 115 920 2888

mail: 96 Rolleston Drive, Arnold, Nottingham, NG5 7JP United Kingdom.

©ZIZCAM LIMITED (2022) All text, drawings and photography contained within this data sheet are the property of ZIZCAM Ltd and are subject to copyright. Information may neither be transmitted or copied to third parties without the express written consent of ZIZCAM Ltd.

ZIZCAM Ltd have a policy of continuous product improvement and contents herein are liable to change without notice.



Networking features :	
Ethernet:	RJ-45 (10/100BASE-T)
Video Compression:	H.265/H.264: Main/Baseline/High, MJPEG
Max. Frame rate:	H.265/H.264 : Max. 60fps/50fps(60Hz/50Hz) MJPEG: Max. 30fps/25fps(60Hz/50Hz)
Bitrate Control Method:	H.264/H.265: CBR or VBR MJPEG: VBR
Streaming:	Unicast(20 users) / Multicast Multiple streaming(Up to 10 profiles)
Protocol:	IPv4, IPv6, TCP/IP, UDP/IP, RTP(UDP), RTP(TCP), RTCP,RTSP, NTP, HTTP, HTTPS, SSL/TLS, DHCP, FTP, SMTP, ICMP, IGMP, SNMPv1/v2c/v3(MIB-2), ARP, DNS, DDNS, QoS, PIM-SM, UPnP, Bonjour, LLDP, SRTP
Security:	HTTPS(SSL) login authentication, Digest login authentication IP address filtering, User access log, 802.1x authentication(EAP-TLS, EAP-LEAP)
Edge storage:	Micro SD/SDHC/SDXC 1slot 256GB
Memory:	1024MB RAM, 256MB Flash
Web Viewer:	Supported OS: Windows 7, 8.1, 10, Mac OS X 10.10, 10.11, 10.12 Recommended Browser: Google Chrome Supported Browser: MS Explore11, MS Edge, Mozilla Firefox(Window 64bit only), Apple Safari(Mac OS X only)

Models

ZCAM4-5-WX-***	Exd IIC Integrated Pan Tilt, variable speed 0 to 180°/sec, complete with 32x zoom 2MP HD IP camera module, heater demister and sunshield.
ZCAM4-5W-WX-***	Exd IIC Integrated Pan Tilt, variable speed 0 to 180°/sec, complete with 32x zoom 2MP HD IP camera module, integral window wiper and heater demister and sunshield.

Add suffix ***

HV1, for integral 85-264VAC Mains PSU option.

LV1, for integral 24VDC supply option

Blank for standard 48VDC supply option.

ZIZCAM LIMITED

email: sales@zizcam.com web: www.zizcam.com Tel: +44 (0) 115 920 2888

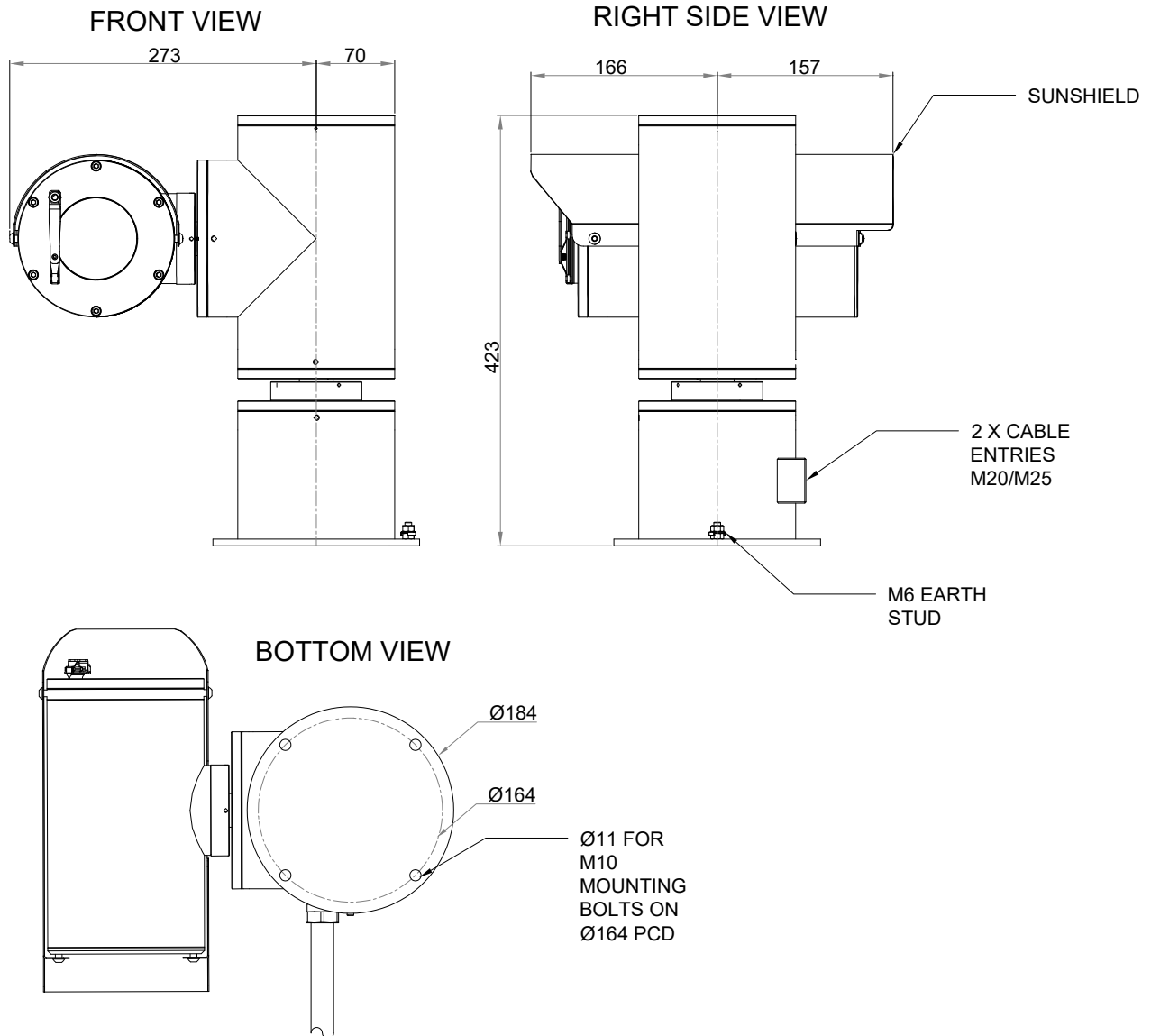
mail: 96 Rolleston Drive, Arnold, Nottingham, NG5 7JP United Kingdom.

©ZIZCAM LIMITED (2022) All text, drawings and photography contained within this data sheet are the property of ZIZCAM Ltd and are subject to copyright. Information may neither be transmitted or copied to third parties without the express written consent of ZIZCAM Ltd.

ZIZCAM Ltd have a policy of continuous product improvement and contents herein are liable to change without notice.



Dimensions (model shown ZCAM4-5W-WX)



ZIZCAM LIMITED

email: sales@zizcam.com web: www.zizcam.com Tel: +44 (0) 115 920 2888

mail: 96 Rolleston Drive, Arnold, Nottingham, NG5 7JP United Kingdom.

©ZIZCAM LIMITED (2022) All text, drawings and photography contained within this data sheet are the property of ZIZCAM Ltd and are subject to copyright. Information may neither be transmitted or copied to third parties without the express written consent of ZIZCAM Ltd.

ZIZCAM Ltd have a policy of continuous product improvement and contents herein are liable to change without notice.

