

ZCAM6-WX

WEATHERPROOF DAY/NIGHT HD IP CAMERAS

DS-097 Issue 05

ZIZCAM Ltd are a UK based manufacturer of CCTV Cameras for use in the Hazardous Oil, Gas and Petrochemical industries.

Consequently our products are very robust and designed to comply with international standards.

Please do not hesitate to contact us for further information on our products we look forward to working with you on a project soon...

ZIZCAM FOR NON HAZARDOUS INDUSTRIAL AREAS

2MP High Definition (HD) onboard camera

32X Motorised Zoom lens

Optional integral window wiper mechanism

All AISI 316L Stainless Steel construction

Integral interfaces for Direct Fibre output or Ethernet



ZIZCAM moves forward the Oil & Gas Petrochemical CCTV market with a new and exciting product range. The ZCAM6 range of CCTV fixed cameras developed for use in non-hazardous areas in all offshore, onshore, industrial and marine environments. These cameras are constructed entirely from AISI 316L stainless steel for low maintenance and protection from corrosion, small in appearance, lightweight and designed for easy installation and maintenance.

Certified to IP66 and IP68 for weatherproof and dust proof environments, the ZCAM6 range provides for all requirements of daylight and low light safety and surveillance monitoring for non-hazardous areas.

ZIZCAM LIMITED

email: sales@zizcam.com web: www.zizcam.com Tel: +44 (0) 115 920 2888

mail: 96 Rolleston Drive, Arnold, Nottingham, NG5 7JP United Kingdom.

©ZIZCAM LIMITED (2022) All text, drawings and photography contained within this data sheet are the property of ZIZCAM Ltd and are subject to copyright. Information may neither be transmitted or copied to third parties without the express written consent of ZIZCAM Ltd.

ZIZCAM Ltd have a policy of continuous product improvement and contents herein are liable to change without notice.



Technical Specifications

General Specifications	
CE Approval:	CE Compliant to LVD (2014/35/EU and EMC 2014/30/EU Directives)
Construction:	Stainless Steel AISI 316L,
Supply Voltage:	12VDC or POE+ (Optional factory fitted 85-264VAC Mains PSU in Housing)
Power Consumption:	30 Watts max
Cable Entries:	2 x M20 Ex d barrier gland direct entry for Power, Ethernet CAT6 or Fibre Optic field cables
Weight:	7 to 9Kg depending on model
Mounting:	Swivel joint for pole top or wall mount bracket
Operating Temperature:	-20°C to +60°C standard (-40°C & -60°C option on request)
Ingress Protection:	IP66 & IP68
Encoder & Telemetry Control Receiver Driver	
Lens Control:	Via integral IP ONVIF interface
Communication:	ONVIF Ethernet to VMS or Web browser
Auxiliary relay Protocols:	Pelco P and D as standard, from RS485 port
Auxiliary Relays:	2 x 24VDC relays for wash wipe
Internal Housing Dimensions:	77W x 80H x 165D mm

Ethernet Cabling Interface Options	
Ethernet:	Direct connection via RJ45 CAT6 cable
Fibre Optic interface:	Direct Fibre Optic connection via integral Fibre Optic media converter, with SFP Fibre option, or external FO JB

ZIZCAM LIMITED

email: sales@zizcam.com web: www.zizcam.com Tel: +44 (0) 115 920 2888

mail: 96 Rolleston Drive, Arnold, Nottingham, NG5 7JP United Kingdom.

©ZIZCAM LIMITED (2022) All text, drawings and photography contained within this data sheet are the property of ZIZCAM Ltd and are subject to copyright. Information may neither be transmitted or copied to third parties without the express written consent of ZIZCAM Ltd.

ZIZCAM Ltd have a policy of continuous product improvement and contents herein are liable to change without notice.

Zoom Camera Module : HD 32x Zoom module	
Image Size:	1/2.8" 2MP CMOS
Effective Pixels:	1944(H)x1212(V)
Resolution:	1920x1080, 1280x1024, 1280x960, 1280x720, 1024x768, 800x600, 800x448, 720x576, 720x480, 640x480, 640x360, 320x240
Optical Zoom:	32x
Digital Zoom:	16x
Focal Length:	4.44~142.6mm (32x) motorized varifocal
Horizontal angle of view:	61.8° (w) - 2.19° (t)
Vertical angle of view:	36.2° (w) - 1.24° (t)
Aperture:	F1.6(Wide) / F4.4(Tele)
Focus:	Auto, One shot AF
Day & Night:	Auto (ICR) / Colour / B/W
Iris:	DC Auto IRIS
Wide Dynamic Range:	120dB
Digital Noise Reduction:	SSNR V
Electronic Shutter speed:	Minimum / Maximum / Anti flicker (2 ~ 1/12,000sec)
Backlight compensation	BLC, HLC, WDR, SDR
White Balance:	ATW / AWC / Manual / Indoor / Outdoor
Minimum illumination:	Colour: 0.03 lux (F1.6, 1/30sec) B/W: 0.005 lux (F1.6, 1/30sec)
Digital Image Stabilization:	OFF/ON
Analytics:	Defocus detection, Directional detection, Fog detection, Face detection, Motion detection, Digital auto tracking, Appear/Disappear, Enter/Exit, Loitering, Tampering, Virtual line
Alarm Triggers:	Analytics, Network disconnect, Alarm input
Defog:	Off / Auto / Manual
Alarm I/O:	Input 1ea / Output 1ea (Relay)
Fibre Optic interface:	Direct Fibre Optic connection via optional integral Fibre Optic media converter, or external FO junction box.
Camera module dimensions:	72W x 63.9H x135.4D mm

ZIZCAM LIMITED

email: sales@zizcam.com web: www.zizcam.com Tel: +44 (0) 115 920 2888

mail: 96 Rolleston Drive, Arnold, Nottingham, NG5 7JP United Kingdom.

©ZIZCAM LIMITED (2022) All text, drawings and photography contained within this data sheet are the property of ZIZCAM Ltd and are subject to copyright. Information may neither be transmitted or copied to third parties without the express written consent of ZIZCAM Ltd.

ZIZCAM Ltd have a policy of continuous product improvement and contents herein are liable to change without notice.

Networking features :	
Ethernet:	RJ-45 (10/100BASE-T)
Video Compression:	H.265/H.264: Main/Baseline/High, MJPEG
Max. Frame rate:	H.265/H.264 : Max. 60fps/50fps(60Hz/50Hz) MJPEG: Max. 30fps/25fps(60Hz/50Hz)
Bitrate Control Method:	H.264/H.265: CBR or VBR MJPEG: VBR
Streaming:	Unicast(20 users) / Multicast Multiple streaming(Up to 10 profiles)
Protocol:	IPv4, IPv6, TCP/IP, UDP/IP, RTP(UDP), RTP(TCP), RTCP,RTSP, NTP, HTTP, HTTPS, SSL/TLS, DHCP, FTP, SMTP, ICMP, IGMP, SNMPv1/v2c/v3(MIB-2), ARP, DNS, DDNS, QoS, PIM-SM, UPnP, Bonjour, LLDP, SRTP
Security:	HTTPS(SSL) login authentication, Digest login authentication IP address filtering, User access log, 802.1x authentication (EAP-TLS, EAP-LEAP)
Edge storage:	Micro SD/SDHC/SDXC 1slot 256GB
Application Programming Interface:	ONVIF Profile S/G/T SUNAPI(HTTP API) Wisenet open platform
Memory:	1024MB RAM, 256MB Flash
Web Viewer:	Supported OS: Windows 7, 8.1, 10, Mac OS X 10.10, 10.11, 10.12 Recommended Browser: Google Chrome Supported Browser: MS Explore11, MS Edge, Mozilla Firefox(Window 64bit only), Apple Safari(Mac OS X only)

Models

- ZCAM6-2-WX-*** Fixed Camera, medium length, complete with 32x zoom HD 2MP IP camera module, heater demister, sunshield.
- ZCAM6-3-WX-*** Fixed Camera, medium length, complete with 32x zoom HD 2MP IP camera module, heater demister, sunshield and integral window wiper.
- ZCAM6-3L-WX-*** Fixed Camera, long length, complete with 32x zoom HD 2MP IP camera module, heater demister, sunshield and integral window wiper.

Add suffix

HV1, for integral 85-264VAC Mains PSU option.

LV1, for integral 24VDC supply option.

Blank for standard 12VDC or POE+ supply option.

ZIZCAM LIMITED

email: sales@zizcam.com web: www.zizcam.com Tel: +44 (0) 115 920 2888

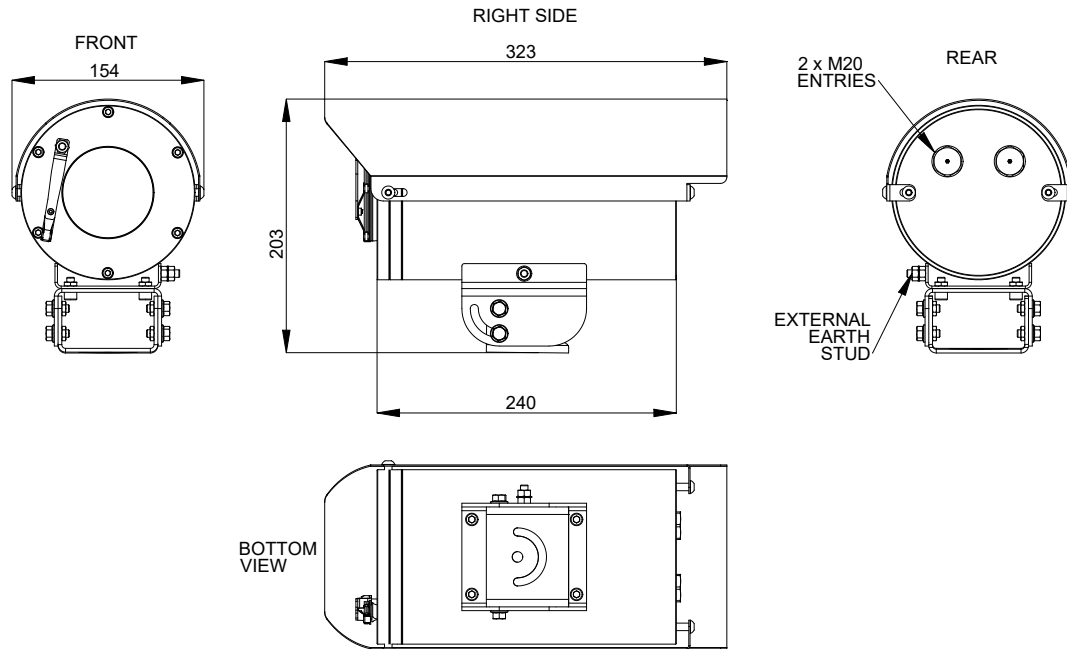
mail: 96 Rolleston Drive, Arnold, Nottingham, NG5 7JP United Kingdom.

©ZIZCAM LIMITED (2022) All text, drawings and photography contained within this data sheet are the property of ZIZCAM Ltd and are subject to copyright. Information may neither be transmitted or copied to third parties without the express written consent of ZIZCAM Ltd.

ZIZCAM Ltd have a policy of continuous product improvement and contents herein are liable to change without notice.

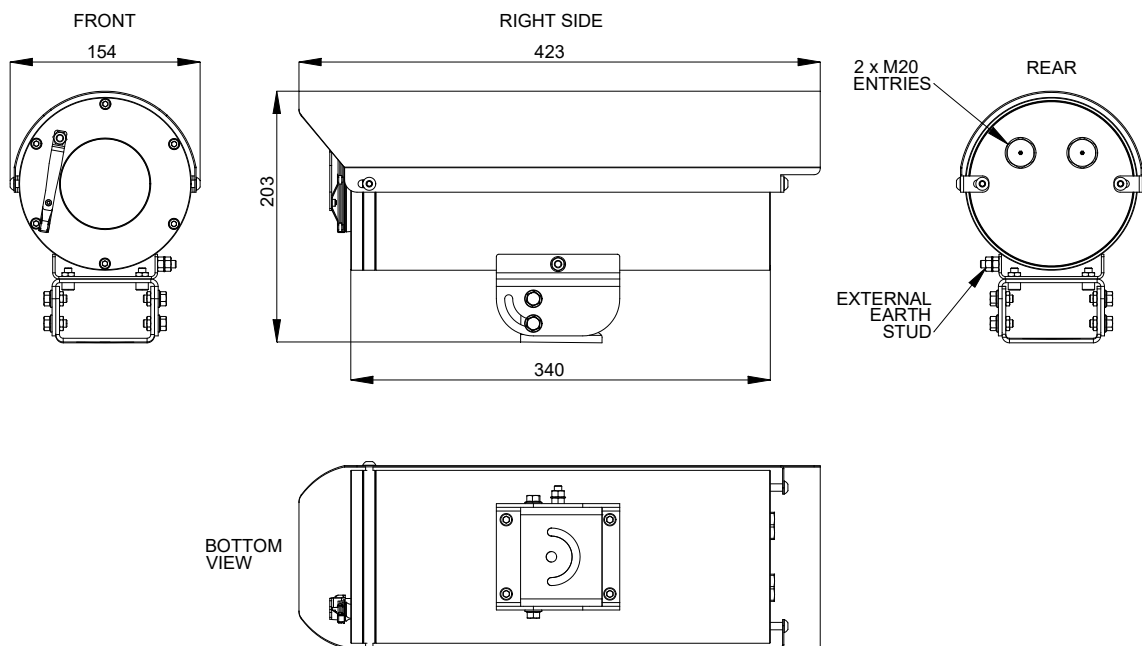
Standard Housing Dimensions

ZCAM6-2 & ZCAM6-3 MEDIUM LENGTH HOUSINGS



Standard Long Housing Dimensions

ZCAM6-3L LONG LENGTH HOUSING



ZIZCAM LIMITED

email: sales@zizcam.com web: www.zizcam.com Tel: +44 (0) 115 920 2888

mail: 96 Rolleston Drive, Arnold, Nottingham, NG5 7JP United Kingdom.

©ZIZCAM LIMITED (2022) All text, drawings and photography contained within this data sheet are the property of ZIZCAM Ltd and are subject to copyright. Information may neither be transmitted or copied to third parties without the express written consent of ZIZCAM Ltd.

ZIZCAM Ltd have a policy of continuous product improvement and contents herein are liable to change without notice.