

# ZCAM8-4\*-WA-36 *Integral adaptive IR illuminator* GEN3 WEATHERPROOF HD IP PTZ CAMERA

DS-143 Issue 01

ZIZCAM Ltd are a UK based manufacturer of CCTV Cameras for use in the Hazardous Oil, Gas and Petrochemical industries.

Consequently our products are very robust and designed to comply with international standards.

Please do not hesitate to contact us for further information on our products we look forward to working with you on a project soon...



## ZIZCAM FOR NON HAZARDOUS INDUSTRIAL AREAS

*2MP 36x Zoom Full HD IP onboard camera*

*Continuous 360 degree rotation*

*Direct drive, Zero backlash Brushless DC servo motors for longevity*

*Outstanding accuracy and dynamic range*

*AISI 316L Stainless Steel*

*Integral IR LED illuminator*

*ONVIF compliant*

*Ethernet output or Fibre Optic from external PSU JB*

ZIZCAM moves forward the Oil & Gas Petrochemical CCTV market with a new and exciting product.

The 3<sup>RD</sup> generation ZCAM8-4 uses technology new to the CCTV industry, providing outstanding and ultra-reliable performance.

Each axis is driven directly without intermediate belts or gears by our unique brushless DC digital servo drives to give a previously unattainable level of positional accuracy, repeatability, zero backlash, smoothness and silent operation. This results in a product with very long life and maintenance free, leading to low cost of ownership.

The optional, integral adaptive illuminator covers up to 150metres.

The ZCAM8-4 is constructed entirely from AISI 316L stainless steel for low maintenance and protection from corrosion, small in appearance, lightweight and designed for easy installation and maintenance.

Certified to IP66 for weatherproof and dust proof environments, the ZCAM8 range provides for all requirements of daylight and low light safety and surveillance monitoring for non-hazardous areas.

ZIZCAM LIMITED

email: [sales@zizcam.com](mailto:sales@zizcam.com) web: [www.zizcam.com](http://www.zizcam.com) Tel: +44 (0) 115 920 2888

mail: 96 Rolleston Drive, Arnold, Nottingham, NG5 7JP United Kingdom.

©ZIZCAM LIMITED (2023) All text, drawings and photography contained within this data sheet are the property of ZIZCAM Ltd and are subject to copyright. Information may neither be transmitted or copied to third parties without the express written consent of ZIZCAM Ltd.

ZIZCAM Ltd have a policy of continuous product improvement and contents herein are liable to change without notice.



# Technical Specifications

General Specifications	
CE Approval:	CE Compliant to LVD (2014/35/EU and EMC 2014/30/EU Directives)
Construction:	Stainless Steel AISI 316L
Supply Voltage:	46-50 Volts DC 2.0A max (Standard power from external 85-264VAC Mains PSU Junction box) (Option for Power from external 24VDC to 48VDC PSU Junction Box)
Power Consumption:	82 Watts nominal
Cable Entries:	1 x RJ45 CAT6 weather-pooof IP68 plug and cable assembly 1 x 12 way weather-proof IP68 power and I/O plug and cable assembly Sockets in camera base, connected to external PSU JB
Weight:	12.4Kg
Mounting:	4 x M8 fixings on 101.6mm PCD
Operating Temperature:	-30°C to +60°C standard (-40°C & -60°C option on request)
Ingress Protection:	IP66
Impact Protection rating:	IK10 to IEC/EN 62262:2002
Pan Tilt Unit	
Pan Angle:	360° continuous rotation
Tilt Angle:	+90°/-90° max from horizontal (360° continuous rotation option)
Pre-set positions:	256 Fitted as standard, optical encoder.
Positioning accuracy:	+/-0.02°
Speed:	Variable 0.05 to 200°/sec Pan and Tilt (nominal) zero backlash. Proportional Pan/Tilt control, continually matches pan and tilt speeds to zoom position
Encoder & Telemetry Control Receiver Driver	
Pan Tilt Motor Drive:	48VDC variable speed, brushless DC servo drives
Lens Control:	Via integral IP ONVIF interface
Communication:	ONVIF Ethernet to VMS or Web browser, internal RS485 telemetry control for PTZ and wash wipe
Wiper:	Fitted as standard (integrated control)
Telemetry & Auxiliary relay Protocols:	Pelco P and D as standard, or to customer specification, configured via web page or VMS
Digital IO:	1 Alarm input and 1 output
Auxiliary Relay:	Fitted in external PSU JB, for washer system activation from Digital output

## ZIZCAM LIMITED

email: [sales@zizcam.com](mailto:sales@zizcam.com) web: [www.zizcam.com](http://www.zizcam.com) Tel: +44 (0) 115 920 2888

mail: 96 Rolleston Drive, Arnold, Nottingham, NG5 7JP United Kingdom.

©ZIZCAM LIMITED (2023) All text, drawings and photography contained within this data sheet are the property of ZIZCAM Ltd and are subject to copyright. Information may neither be transmitted or copied to third parties without the express written consent of ZIZCAM Ltd.

ZIZCAM Ltd have a policy of continuous product improvement and contents herein are liable to change without notice.

### Integral IR LED Illuminator Module :

LED Beam angle:	Variable between 49° and 10° - Zoom position tracking
IR LED wavelength:	850nm
Usable range:	Up to 150 metres (dependent on site conditions and Camera/lens sensitivity)
Operation:	Adjusts the lighting intensity and beam angle for optimal scene illumination, according to relative zoom lens position

### Zoom Camera Module: Full HD 2MP 36x Zoom

Imager:	1/2.0" Sony Progressive Scan CMOS Sensor
Zoom:	36x Optical, 8x Digital
Focal Length:	f = 6.0mm (wide) to 216mm (tele) - (F1.5 to F4.8)
Angle of view:	Horizontal: 58.2°(wide) ~ 1.6°(tele), Vertical: 33.9°(wide) ~ 0.94°(tele)
Focus control:	One-shot AF, Manual
Minimum illumination:	Colour: 0.005 Lux (1/30sec, 30IRE), BW: 0 Lux (IR ON)
Day & Night:	Auto/Manual (ICR) Colour / B/W
Image Stabilisation:	EIS (Gyro sensor)
Backlight compensation:	BLC / HLC / WDR
Wide Dynamic Range:	Yes, 120dB
Noise Reduction:	Auto/Manual
Electronic Shutter speed:	1/1 to 1/100,000 sec.
White Balance:	Auto tracing white / Auto white / Manual
Defog:	Support
Image rotation:	Horizontal (Mirror), Vertical (Flip)
Compression:	H.264 / H.265 / MJPEG
Effective Pixels:	2.07 Megapixels
Frame Rate:	Max 60fps @ 1920x1080
Bit Rate:	Primary: 32Kbps ~ 16Mbps, Secondary: 32Kbps ~ 4Mbps
Bit rate control:	H.264/H.265: CBR / VBR / Hybrid, MJPEG: VBR
Resolutions:	Primary 1920x1080 Secondary (#1) 1920x1080~352x240 Secondary (#2) 1280x720~352x240 Secondary (#3) 720x480~352x240
Streaming:	Quad Streaming: Primary: H.264, H.265, Secondary x 3: H.264, H.265, MJPEG
Motion Detection:	Will detect any activity in an area or crossing a point of interest.
Tamper/Sabotage:	Detects any changes in video such as loss, lighting, covered, moved.

#### ZIZCAM LIMITED

email: [sales@zizcam.com](mailto:sales@zizcam.com) web: [www.zizcam.com](http://www.zizcam.com) Tel: +44 (0) 115 920 2888  
mail: 96 Rolleston Drive, Arnold, Nottingham, NG5 7JP United Kingdom.

©ZIZCAM LIMITED (2023) All text, drawings and photography contained within this data sheet are the property of ZIZCAM Ltd and are subject to copyright. Information may neither be transmitted or copied to third parties without the express written consent of ZIZCAM Ltd.

ZIZCAM Ltd have a policy of continuous product improvement and contents herein are liable to change without notice.

Networking features:	
Ethernet connection:	RJ-45 (10/100BASE-T) or Direct Fibre output via media converter in PSU Junction box.
Video streams:	3 streams, H.264(MP/HP), H.265(MP), MJPEG
Protocols:	IPv4/v6, TCP, UDP, IGMP(Multicast), ICMP, DHCP, HTTP, HTTPS, RTP, RTSP, FTP, SNMP, SMTP, UPnP, WS-Discovery, Zero Configuration, NTP, DDNS, RTMP, ONVIF
Security:	Basic/Digest authentication, HTTPS, IP address filtering, User access log, TTA certification
Operation:	Via Web Page, ONVIF Profile S, T, G and M Compliant.
VMS compatibility:	Milestone Xprotect, Genetec Security Centre, FLIR Latitude, Pelco VideoXpert, Wavestore, Hanwha Wisenet, Qognify Cayuga, Bosch BVMS.
Firmware update:	Via IP connection

## Models

ZCAM8-4-WA-36 Integrated Pan Tilt, variable speed 0 to 200°/sec, 48VDC powered, complete with 36x zoom 2MP Full HD IP camera module, IR LED illuminator module, heater demister.

ZCAM8-4W-WA-36 Integrated Pan Tilt, variable speed 0 to 200°/sec, 48VDC powered, complete with 36x zoom 2MP Full HD IP camera module, IR LED illuminator module, integral window wiper and heater demister.

*Add PSU Option from below:*

ZC8-PSU1 Steel, polyester powder coated, 85-264VAC Mains input, PSU JB for Ethernet CAT6 transmission.

ZC8-PSU1-FO Steel, polyester powder coated, 85-264VAC Mains input, PSU JB for Fibre Optic transmission with Single Mode FO media converter fitted. Includes FO splice cassette and couplers for 4 core fibre cable.

ZC8-PSU2 Stainless steel, 316L, 85-264VAC Mains input, PSU JB for Ethernet CAT6 transmission.

ZC8-PSU2-FO Stainless steel, 316L, 85-264VAC Mains input, PSU JB for Fibre Optic transmission with Single Mode FO media converter fitted. Includes FO splice cassette and couplers for 4 core fibre cable.

## Camera Mounting accessories

ZC8-75-WB Wall mounting bracket for GEN3 ZCAM8 PTZ Camera. Stainless steel 316L.

210-75-PC Pole Clamp assembly, for ZC8-75-WB Bracket, Stainless steel 316L.

ZC8-75-CC4 4 inch column spacer with M20 conduit entry for GEN3 ZCAM8 PTZ Camera cable management on pole top. Stainless steel 316L.

### ZIZCAM LIMITED

email: [sales@zizcam.com](mailto:sales@zizcam.com) web: [www.zizcam.com](http://www.zizcam.com) Tel: +44 (0) 115 920 2888

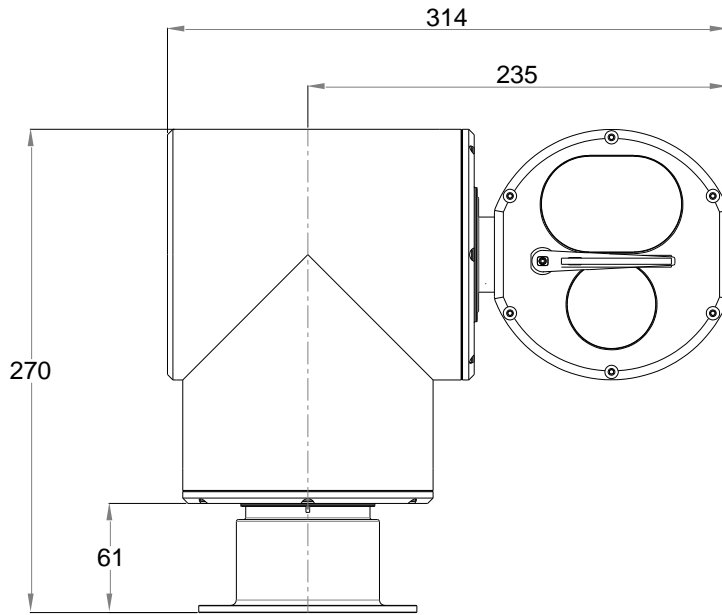
mail: 96 Rolleston Drive, Arnold, Nottingham, NG5 7JP United Kingdom.

©ZIZCAM LIMITED (2023) All text, drawings and photography contained within this data sheet are the property of ZIZCAM Ltd and are subject to copyright. Information may neither be transmitted or copied to third parties without the express written consent of ZIZCAM Ltd.

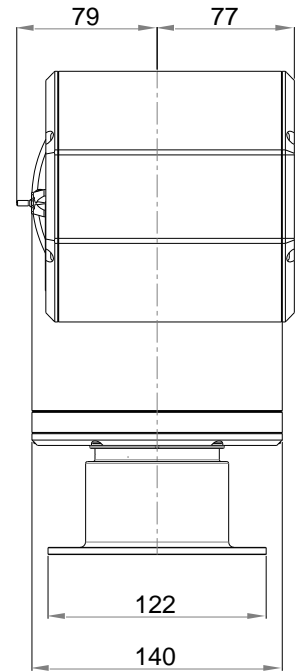
ZIZCAM Ltd have a policy of continuous product improvement and contents herein are liable to change without notice.

## Dimensions (model shown ZCAM8-4W-WA)

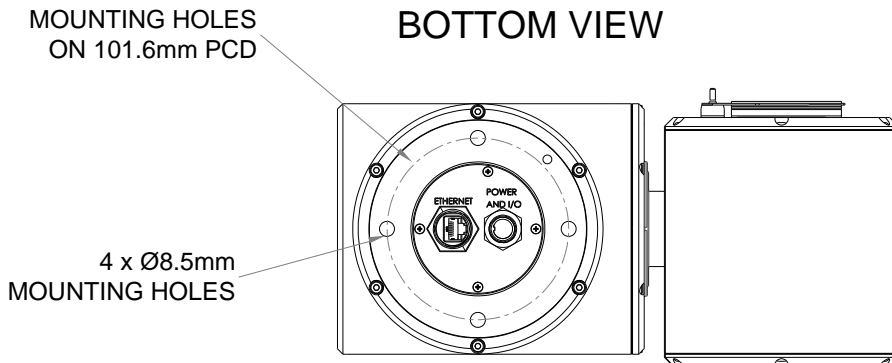
### FRONT VIEW



### RIGHT SIDE VIEW



### BOTTOM VIEW



#### ZIZCAM LIMITED

email: [sales@zizcam.com](mailto:sales@zizcam.com) web: [www.zizcam.com](http://www.zizcam.com) Tel: +44 (0) 115 920 2888

mail: 96 Rolleston Drive, Arnold, Nottingham, NG5 7JP United Kingdom.

©ZIZCAM LIMITED (2023) All text, drawings and photography contained within this data sheet are the property of ZIZCAM Ltd and are subject to copyright. Information may neither be transmitted or copied to third parties without the express written consent of ZIZCAM Ltd.

ZIZCAM Ltd have a policy of continuous product improvement and contents herein are liable to change without notice.