

SPH-710T

15 WATT WEATHER-PROOF RE-ENTRANT HORN LOUDSPEAKER

C16466-DS-001 Issue 01



Thank you for your interest in Ziztel - we are a UK based manufacturer of PAGA and Intercom products. Our systems are mainly designed for use in the Hazardous Oil, Gas and Petrochemical industries.

Consequently our products are very robust and designed to comply with international standards.

Please do not hesitate to contact us for further information on our products we look forward to working with you on a project soon...

ZIZTEL SPH-710T 15 WATT WEATHER-PROOF RE-ENTRANT HORN LOUDSPEAKER

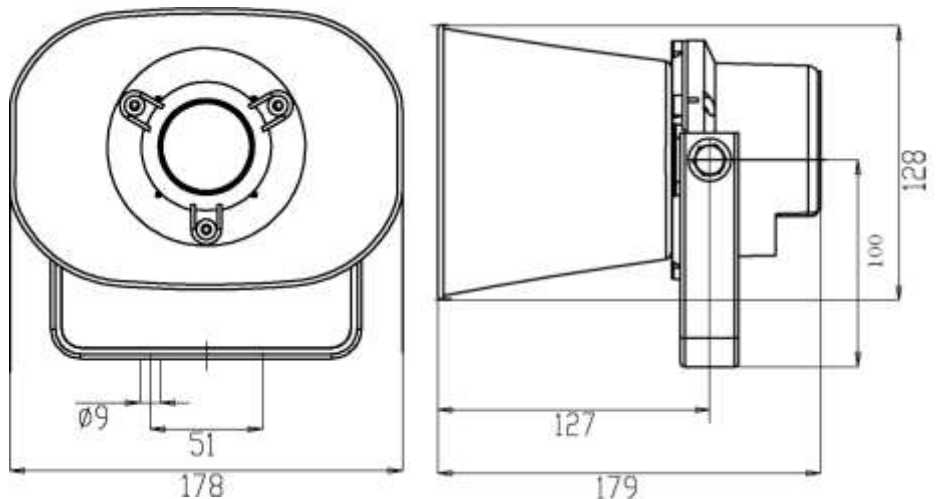
All plastic construction – *corrosion resistant*

Integral transformer – *range of power settings 4 Watts to 15 Watt*

High sensitivity - *efficient broadcast of voice frequencies*

The SPH-710T is a public address paging horn designed for 100V line operation. The unit is equipped with integral line coupling transformer enabling power settings from 4 Watts to 15 Watts.

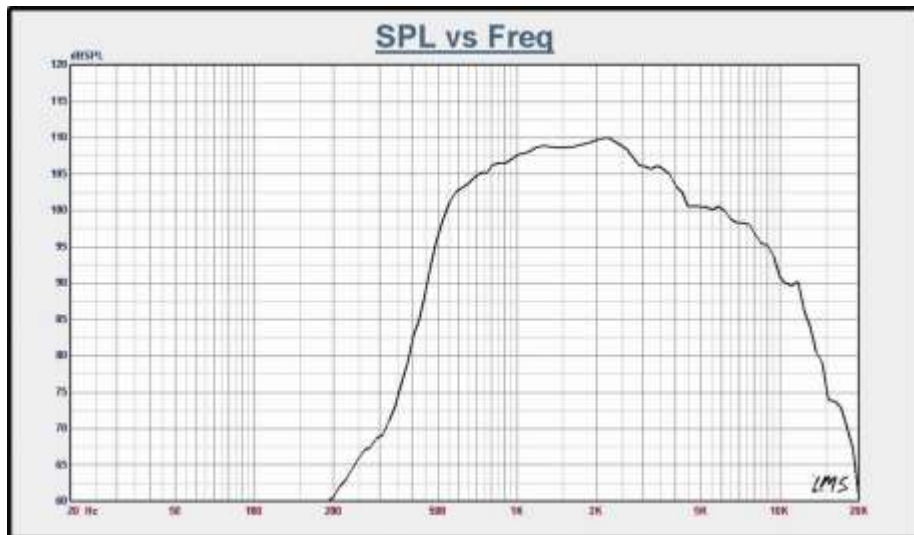
The SPH-710T is based on a folded re-entrant horn which achieves high efficiency and also protects the integral loudspeaker pressure unit from the elements when the assembly is located outdoors. An integral flexible cable tail allows termination to the main 100 Volt line highway and a U bracket allows the flare to be directed to the target paging area. The enclosure is manufactured from rot proof plastic and is self-coloured white thereby eliminating the costly routine maintenance otherwise required for metallic units.



ZIZTEL LIMITED

email: sales@ziztel.com web: www.ziztel.com tel: +44 (0) 115 9202888
mail: 96 Rolleston Drive, Arnold, Nottingham, NG5 7JP United Kingdom

All text, drawings and photography contained within this data sheet are the property of Ziztel Ltd and are subject to copyright. Information may neither be transmitted or copied to third parties without the express written consent of Ziztel Ltd. Ziztel Ltd have a policy of continuous product improvement and contents here in are liable to change without notice.



Technical Specification	
Material/Colour	High impact plastic/White
Mounting	U-Bracket
Input voltage	100V
IP-rating	IP66
Maximum/Minimum ambient temperature	-20°C to +40°C
Rated/Maximum power	15 Watts
Power tapings	15 Watt, 8 Watt, 4 Watt
Connection	Integral fire resistant and flame retardant cable tail
Weight	3kg
SPL 1W/1m	101dBA
Effective frequency range	500Hz to 9kHz (-20dB)

ZIZTEL LIMITED

email: sales@ziztel.com web: www.ziztel.com tel: +44 (0) 115 9202888
 mail: 96 Rolleston Drive, Arnold, Nottingham, NG5 7JP United Kingdom

All text, drawings and photography contained within this data sheet are the property of Ziztel Ltd and are subject to copyright. Information may neither be transmitted or copied to third parties without the express written consent of Ziztel Ltd. Ziztel Ltd have a policy of continuous product improvement and contents here in are liable to change without notice.