

ZCAM2

HAZARDOUS AREA DAY/NIGHT HD CAMERAS

DS-021 Issue 01

ZIZCAM Ltd are a UK based manufacturer of CCTV Cameras for use in the Hazardous Oil, Gas and Petrochemical industries.

Consequently our products are very robust and designed to comply with international standards.

Please do not hesitate to contact us for further information on our products we look forward to working with you on a project soon...

ZIZCAM FOR HAZARDOUS AREAS

High Definition (HD) camera options

Fixed focal length or motorised Zoom lens options

Optional integral window wiper mechanism

All AISI 316L Stainless Steel construction

Integral interfaces for Fibre or Ethernet

Option for integral EX junction box



ZIZCAM moves forward the Oil & Gas Petrochemical CCTV market with a new and exciting product range. The ZCAM2 range of CCTV fixed cameras developed for use in hazardous areas in all offshore, onshore and marine environments. These cameras are constructed entirely from AISI 316L stainless steel for low maintenance and protection from corrosion, small in appearance, lightweight and designed for easy installation and maintenance.

Certified for use in ATEX/IECEx hazardous gas and dust environments, the ZCAM2 range provides for all requirements of daylight and low light safety and surveillance monitoring for hazardous areas.

ZIZCAM LIMITED

email: sales@zizcam.com web: www.zizcam.com Tel: +44 (0) 115 920 2888

mail: 96 Rolleston Drive, Arnold, Nottingham, NG5 7JP United Kingdom.

©ZIZCAM LIMITED (2014) All text, drawings and photography contained within this data sheet are the property of ZIZCAM Ltd and are subject to copyright. Information may neither be transmitted or copied to third parties without the express written consent of ZIZCAM Ltd.

ZIZCAM Ltd have a policy of continuous product improvement and contents herein are liable to change without notice.



Technical Specifications

General Specifications	
ATEX Hazardous Area Rating:	II 2 G Ex d IIC T4-T6, Tamb -60°C to +60°C Gb, II 2 D Ex tb IIIC T135°C Tamb -60°C to +60°C Db
IECEX Hazardous Area Rating:	Ex d IIC T4-T6, Tamb -60°C to +60°C Gb, Ex tb IIIC T135°C Tamb -60°C to +60°C Db
CE Approval:	CE Compliant to ATEX 94/9/EC and EMC 2004/108/EC Directives
Construction:	Stainless Steel AISI 316L,
Supply Voltage:	24 Volt AC 50/60Hz, (Optional factory fitted 110/220VAC step down transformer)
Power Consumption:	32 Watts max, 65 Watts for -60°C operation
Cable Entries:	2 x M20 or M25 Ex d barrier gland direct entry, or Ex d e entries to JB
Weight:	6 to 10Kg depending on model
Mounting:	Swivel joint for pole top or wall mount bracket
Certified Temperature Rating:	-60°C to +60°C
Operating Temperature:	-20°C to +60°C standard (-40°C & -60°C option on request)
Ingress Protection:	IP66 & IP68
Telemetry Control Receiver Driver	
Lens Control:	Via serial interface Pelco protocol
Communication:	RS422/RS485, as standard
Protocols:	Pelco P or D as standard, or to customer specification
Auxiliary Relays:	2 x 24VAC relays for wash wipe

CCD Block Camera Module : HD 30x Zoom module	
Image Size:	Type 1/3 CMOS
Effective Pixels:	2 Megapixels
Output Pixels, Frame Rate:	1920(H) x 1080(V)/30p, 25p, 29.97p, 60i, 50i, 59.94i 1280(H) x 720(V)/60p, 50p, 59.94p
Optical Zoom:	30x
Digital Zoom:	OFF/ON (max. 12x)
Focal Length:	4.4 - 132mm
Horizontal angle of view:	63.4° (w) - 2.3° (t)
Vertical angle of view:	37.3° (w) - 1.3° (t)

ZIZCAM LIMITED

email: sales@zizcam.com web: www.zizcam.com Tel: +44 (0) 115 920 2888

mail: 96 Rolleston Drive, Arnold, Nottingham, NG5 7JP United Kingdom.

©ZIZCAM LIMITED (2014) All text, drawings and photography contained within this data sheet are the property of ZIZCAM Ltd and are subject to copyright. Information may neither be transmitted or copied to third parties without the express written consent of ZIZCAM Ltd.

ZIZCAM Ltd have a policy of continuous product improvement and contents herein are liable to change without notice.



Aperture:	F1.4 (w) - F4.6 (t)
Focus:	Auto/Manual (Far/Near)
IR Cut filter Removable:	Auto (Pro.AER, Pro.AER+) / Manual
Digital Slow Shutter:	YES w/o WDR
Wide Dynamic Range:	OFF/WDR+ Contrast offset/AD-WDR+ Contrast offset/Contrast offset
Electronic Shutter:	Auto ProAE (1/30s - 1/30,000s) Auto (+ Digital Slow Shutter) ProAE+ (1/2s - 1/30,000s) Manual (Shutter Priority) 1/1s - 1/30,000s
Iris:	Auto (Average Offset/Peak Offset)
BLC:	OFF/ON
White Balance:	Auto (Normal/Sodium/Mercury) / Manual
Min. Sensitivity (Typical):	IR-cut ON (1/30s) 0.4 lx IR-cut ON (1/8s) 0.1 lx IR-cut OFF (1/8s) 0.01 lx Condition F1.4 (Wide), 350mV (50IRE) equivalent
Electronic Image Stabilization:	OFF/ON (Digital Zoom max.2.0x)

Models

ZCAM2-1	Fixed Camera, short length, complete with day/night visual camera module, heater demister, sunshield.
ZCAM2-1-E	Fixed Camera, short length, complete with day/night visual camera module, heater demister, sunshield and integral Ex e junction box.
ZCAM2-2	Fixed Camera, medium length, complete with day/night visual camera module, heater demister, sunshield.
ZCAM2-2-E	Fixed Camera, medium length, complete with day/night visual camera module, heater demister, sunshield and integral Ex e junction box.
ZCAM2-3	Fixed Camera, medium length, complete with day/night visual camera module, heater demister, sunshield and integral window wiper.
ZCAM2-3E	Fixed Camera, medium length, complete with day/night visual camera module, heater demister, sunshield, window wiper and integral Ex e junction box.
ZCAM2-3L	Fixed Camera, long length, complete with day/night visual camera module, heater demister, sunshield and integral window wiper.
ZCAM2-3L-E	Fixed Camera, long length, complete with day/night visual camera module, heater demister, sunshield, window wiper and integral Ex e junction box.

ZIZCAM LIMITED

email: sales@zizcam.com web: www.zizcam.com Tel: +44 (0) 115 920 2888

mail: 96 Rolleston Drive, Arnold, Nottingham, NG5 7JP United Kingdom.

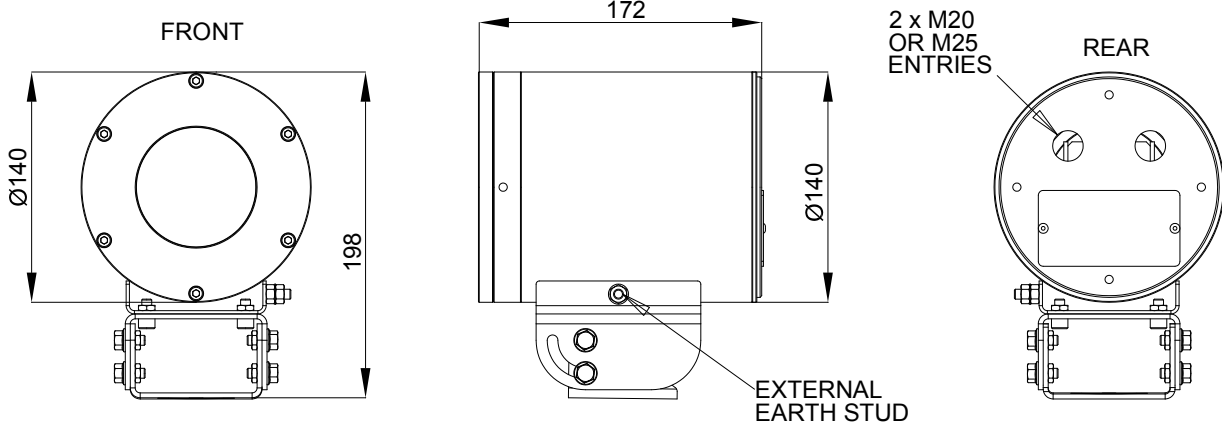
©ZIZCAM LIMITED (2014) All text, drawings and photography contained within this data sheet are the property of ZIZCAM Ltd and are subject to copyright. Information may neither be transmitted or copied to third parties without the express written consent of ZIZCAM Ltd.

ZIZCAM Ltd have a policy of continuous product improvement and contents herein are liable to change without notice.



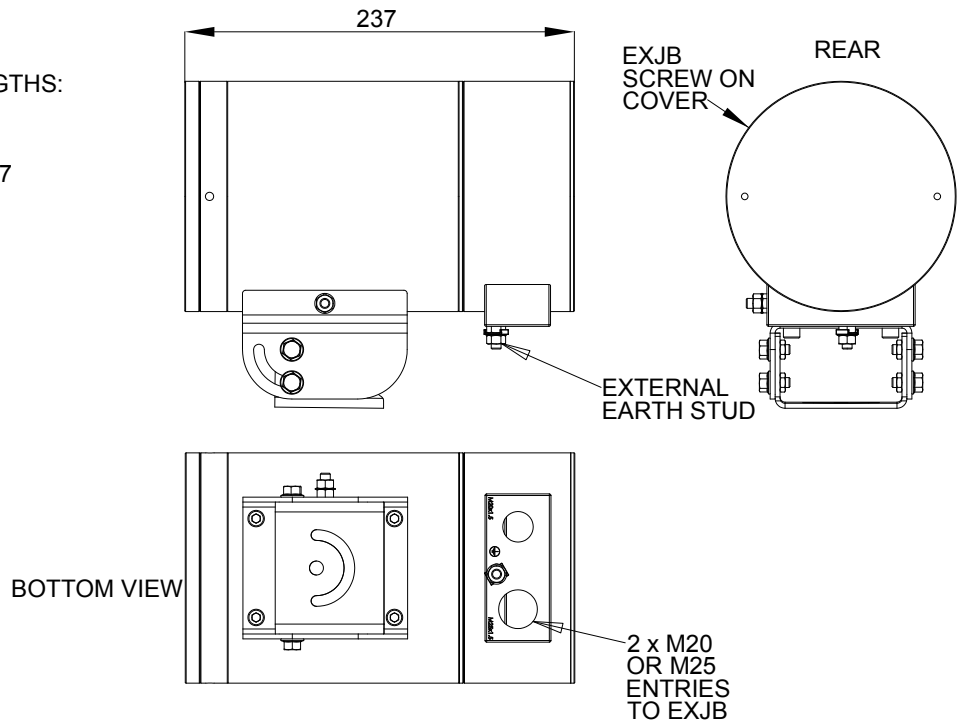
Standard Housing Dimensions

ZCAM2-1 & 2 STANDARD CAMERA



ZCAM2-1 & 2E STANDARD CAMERA WITH EXJB

HOUSING LENGTHS:
 ZCAM2-1 = 172
 ZCAM2-E = 237
 ZCAM2-2 = 252
 ZCAM2-2E = 317



ZIZCAM LIMITED

email: sales@zizcam.com web: www.zizcam.com Tel: +44 (0) 115 920 2888

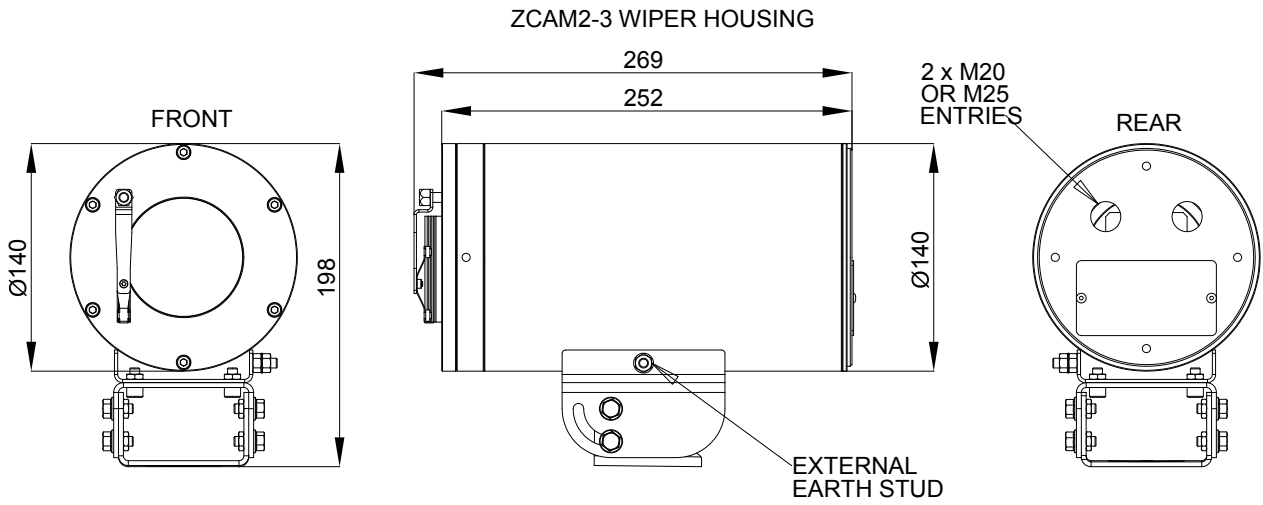
mail: 96 Rolleston Drive, Arnold, Nottingham, NG5 7JP United Kingdom.

©ZIZCAM LIMITED (2014) All text, drawings and photography contained within this data sheet are the property of ZIZCAM Ltd and are subject to copyright. Information may neither be transmitted or copied to third parties without the express written consent of ZIZCAM Ltd.

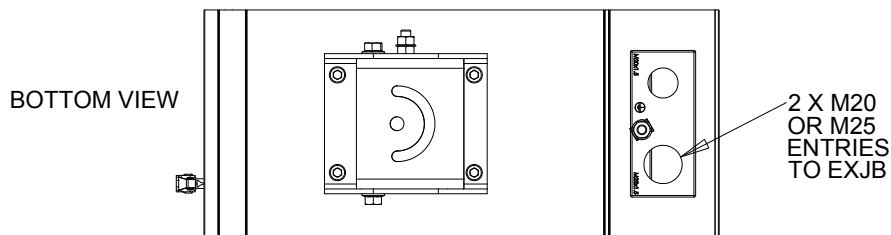
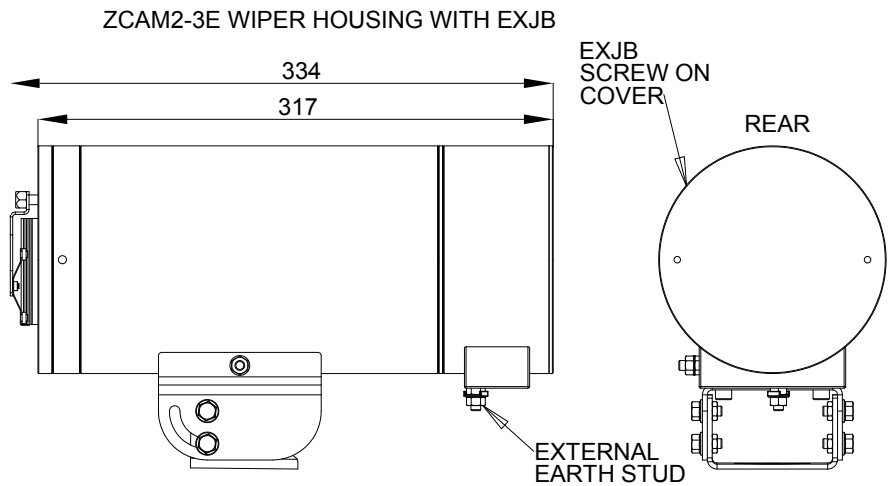
ZIZCAM Ltd have a policy of continuous product improvement and contents herein are liable to change without notice.



Standard Wiper Housing Dimensions



HOUSING MODEL LENGTHS :
 ZCAM2-3 = 252
 ZCAM2-3E = 317
 ZCAM2-3L = 352
 ZCAM2-3LE = 417



ZIZCAM LIMITED

email: sales@zizcam.com web: www.zizcam.com Tel: +44 (0) 115 920 2888

mail: 96 Rolleston Drive, Arnold, Nottingham, NG5 7JP United Kingdom.

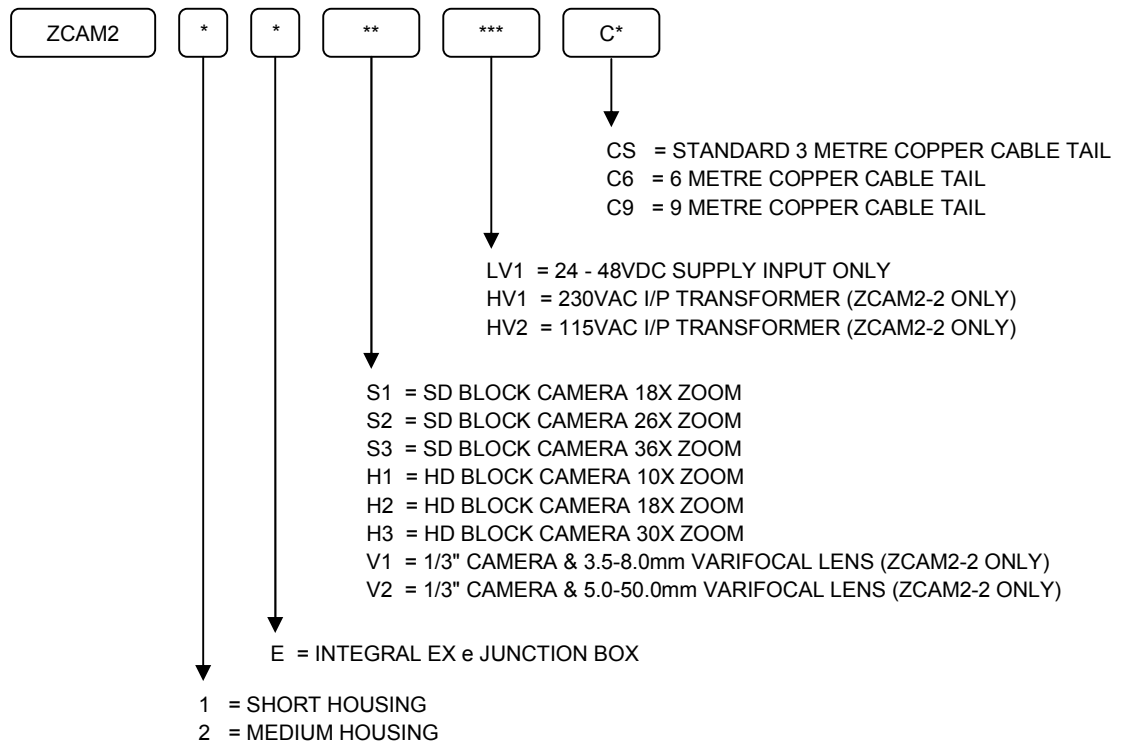
©ZIZCAM LIMITED (2014) All text, drawings and photography contained within this data sheet are the property of ZIZCAM Ltd and are subject to copyright. Information may neither be transmitted or copied to third parties without the express written consent of ZIZCAM Ltd.

ZIZCAM Ltd have a policy of continuous product improvement and contents herein are liable to change without notice.

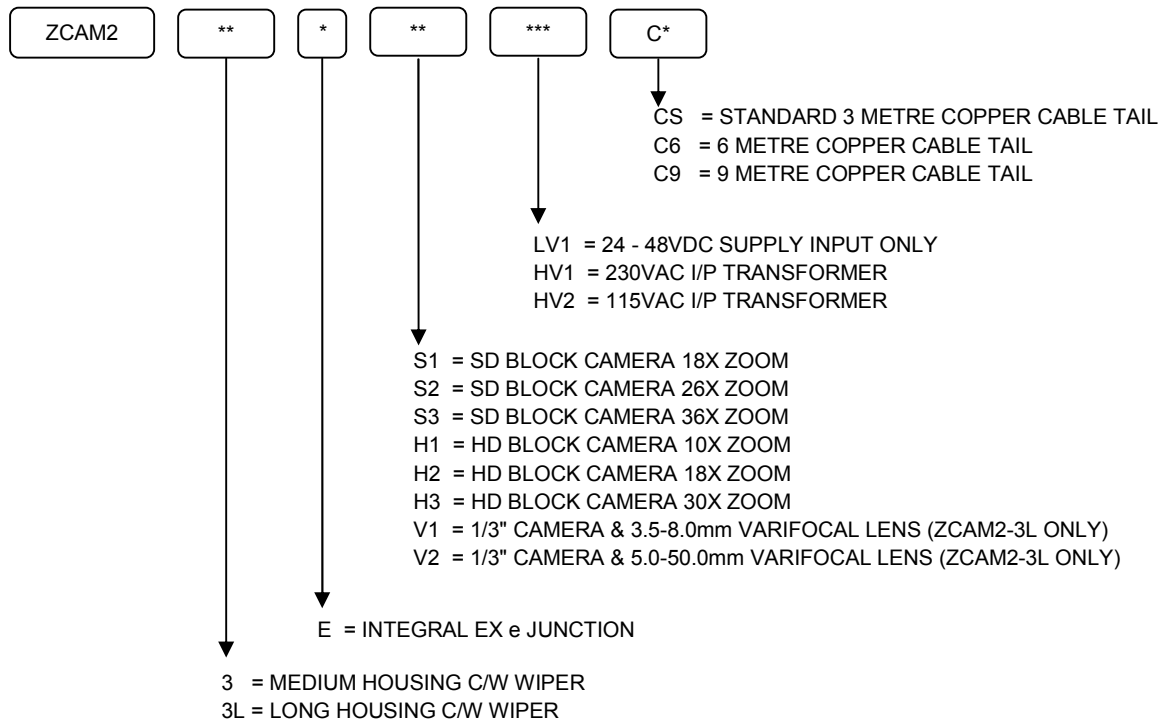


Part number configuration

Standard Housing models



Standard Wiper Housing models



ZIZCAM LIMITED

email: sales@zizcam.com web: www.zizcam.com Tel: +44 (0) 115 920 2888

mail: 96 Rolleston Drive, Arnold, Nottingham, NG5 7JP United Kingdom.

©ZIZCAM LIMITED (2014) All text, drawings and photography contained within this data sheet are the property of ZIZCAM Ltd and are subject to copyright. Information may neither be transmitted or copied to third parties without the express written consent of ZIZCAM Ltd.

ZIZCAM Ltd have a policy of continuous product improvement and contents herein are liable to change without notice.

