

ZCAM4

HAZARDOUS AREA DAY/NIGHT PTZ HD CAMERA

DS-023 Issue 02

ZIZCAM Ltd are a UK based manufacturer of CCTV Cameras for use in the Hazardous Oil, Gas and Petrochemical industries.

Consequently our products are very robust and designed to comply with international standards.

Please do not hesitate to contact us for further information on our products we look forward to working with you on a project soon...

ZIZCAM FOR HAZARDOUS AREAS

High Definition (HD) onboard camera

Continuous 360 degree rotation

Anti-backlash gearing

Brushless motors for longevity

AISI 316L Stainless Steel

Integral Pelco D or P protocol Telemetry Receiver

Option for integral IR LED illuminator

Optional interfaces for Analogue, Fibre or Ethernet



ZIZCAM moves forward the Oil & Gas Petrochemical CCTV market with a new and exciting product.

The ZCAM4 range of CCTV pan tilt zoom cameras developed for use in hazardous areas in all offshore, onshore and marine environments. These cameras are constructed entirely from AISI 316L stainless steel for low maintenance and protection from corrosion, small in appearance, lightweight and designed for easy installation and maintenance.

Certified for use in ATEX/IECEx hazardous gas and dust environments, the ZCAM4 range provides for all requirements of safety and surveillance monitoring for hazardous areas.

ZIZCAM LIMITED

email: sales@zizcam.com web: www.zizcam.com Tel: +44 (0) 115 920 2888

mail: 96 Rolleston Drive, Arnold, Nottingham, NG5 7JP United Kingdom.

©ZIZCAM LIMITED (2014) All text, drawings and photography contained within this data sheet are the property of ZIZCAM Ltd and are subject to copyright. Information may neither be transmitted or copied to third parties without the express written consent of ZIZCAM Ltd.

ZIZCAM Ltd have a policy of continuous product improvement and contents herein are liable to change without notice.



Technical Specifications

General Specifications	
ATEX Hazardous Area Rating:	II 2 G Ex db, eb, op-pr, IIC T6-T4, Gb, Tamb -60°C to +70°C II 2 D Ex tb IIIC T135°C Db
IECEX Hazardous Area Rating:	Ex db, eb, op-pr, IIC T6-T4, Gb, Tamb -60°C to +70°C Ex tb IIIC T135°C Db
CE Approval:	CE Compliant to ATEX 94/9/EC and EMC 2014/30/EU Directives
Construction:	Stainless Steel AISI 316L
Supply Voltage:	24VDC / 24VAC 50/60Hz, (Optional factory fitted 110/220VAC step down transformer in base)
Power Consumption:	70 Watts max
Cable Entries:	2 x M25 or M20 Ex d barrier gland entry at base
Weight:	22-25Kg depending on model
Mounting:	4 x M10 fixings on 164mm PCD
Certified Temperature Rating:	-60°C to +70°C
Operating Temperature:	-20°C to +70°C standard (-40°C & -60°C option on request)
Ingress Protection:	IP66 & IP68
Pan Tilt Unit	
Pan Angle:	360° continuous rotation
Tilt Angle:	+90°/-90° max from horizontal
Preset positioning:	Fitted as standard
Positioning accuracy:	<0.1°, anti backlash gearing
Speed:	Variable 0.1 to 55°/sec Pan and Tilt (nominal)
Limits:	User adjustable software stops, where required
Telemetry Control Receiver Driver	
Pan Tilt Motor Drive:	0 to 24VDC variable speed, brushless DC motors
Lens Control:	Via serial interface Pelco protocol
Presets:	64 preset positions standard
Communication:	RS422/RS485, as standard
Protocols:	Pelco P and D as standard, or to customer specification
Auxiliary Relays:	2 x 24VAC relays for wash wipe

ZIZCAM LIMITED

email: sales@zizcam.com web: www.zizcam.com Tel: +44 (0) 115 920 2888

mail: 96 Rolleston Drive, Arnold, Nottingham, NG5 7JP United Kingdom.

©ZIZCAM LIMITED (2014) All text, drawings and photography contained within this data sheet are the property of ZIZCAM Ltd and are subject to copyright. Information may neither be transmitted or copied to third parties without the express written consent of ZIZCAM Ltd.

ZIZCAM Ltd have a policy of continuous product improvement and contents herein are liable to change without notice.



CCD Block Camera Module : HD 30x Zoom module	
Image Size:	Type 1/3 CMOS
Effective Pixels:	2 Megapixels
Output Pixels, Frame Rate:	1920(H) x 1080(V)/30p, 25p, 29.97p, 60i, 50i, 59.94i 1280(H) x 720(V)/60p, 50p, 59.94p
Optical Zoom:	30x
Digital Zoom:	OFF/ON (max. 12x)
Focal Length:	4.4 - 132mm
Horizontal angle of view:	63.4° (w) - 2.3° (t)
Vertical angle of view:	37.3° (w) - 1.3° (t)
Aperture:	F1.4 (w) - F4.6 (t)
Focus:	Auto/Manual (Far/Near)
IR Cut filter Removable:	Auto (Pro.AER, Pro.AER+) / Manual
Digital Slow Shutter:	YES w/o WDR
Wide Dynamic Range:	OFF/WDR+ Contrast offset/AD-WDR+ Contrast offset/Contrast offset
Electronic Shutter:	Auto ProAE (1/30s - 1/30,000s) Auto (+ Digital Slow Shutter) ProAE+ (1/2s - 1/30,000s) Manual (Shutter Priority) 1/1s - 1/30,000s
Iris:	Auto (Average Offset/Peak Offset)
BLC:	OFF/ON
White Balance:	Auto (Normal/Sodium/Mercury) / Manual
Min. Sensitivity (Typical):	IR-cut ON (1/30s) 0.4 lx IR-cut ON (1/8s) 0.1 lx IR-cut OFF (1/8s) 0.01 lx Condition F1.4 (Wide), 350mV (50IRE) equivalent
Electronic Image Stabilization:	OFF/ON (Digital Zoom max.2.0x)

IR LED Illuminator Module :	
Power source :	Integral 24VAC PSU, within Camera enclosure
LED Beam angle :	12° standard
IR LED wavelength :	850nm
Usable range :	Up to 100 metres (dependent on site conditions and Camera/lens sensitivity)
Operation :	Automatic on/off via photo sensor or manual switch via auxiliary command

ZIZCAM LIMITED

email: sales@zizcam.com web: www.zizcam.com Tel: +44 (0) 115 920 2888

mail: 96 Rolleston Drive, Arnold, Nottingham, NG5 7JP United Kingdom.

©ZIZCAM LIMITED (2014) All text, drawings and photography contained within this data sheet are the property of ZIZCAM Ltd and are subject to copyright. Information may neither be transmitted or copied to third parties without the express written consent of ZIZCAM Ltd.

ZIZCAM Ltd have a policy of continuous product improvement and contents herein are liable to change without notice.



Models

ZCAM4-1	Exd IIC Integrated Pan Tilt 24VDC variable speed 0 to 55°/sec, short housing 172mm length, complete with 30x zoom HD visual camera module, integral heater demister.
ZCAM4-2	Exd IIC Integrated Pan Tilt 24VDC variable speed 0 to 55°/sec, medium housing 252mm length, complete with 30x zoom HD visual camera module, integral and heater demister.
ZCAM4-3	Exd IIC Integrated Pan Tilt 24VDC variable speed 0 to 55°/sec, medium housing 252mm length, complete with 30x zoom HD visual camera module, integral window wiper and heater demister.
ZCAM4-3L	Exd IIC Integrated Pan Tilt 24VDC variable speed 0 to 55°/sec, long housing 352mm length, complete with 30x zoom HD visual camera module, integral window wiper and heater demister.
ZCAM4-4	Exd IIC Integrated Pan Tilt 24VDC variable speed 0 to 55°/sec, medium housing 252mm length, complete with 30x zoom HD visual camera module, IR LED illuminator module, integral and heater demister and sunshield.
ZCAM4-4L	Exd IIC Integrated Pan Tilt 24VDC variable speed 0 to 55°/sec, long housing 352mm length, complete with 30x zoom HD visual camera module, IR LED illuminator module, integral window wiper and heater demister and sunshield.

ZIZCAM LIMITED

email: sales@zizcam.com web: www.zizcam.com Tel: +44 (0) 115 920 2888

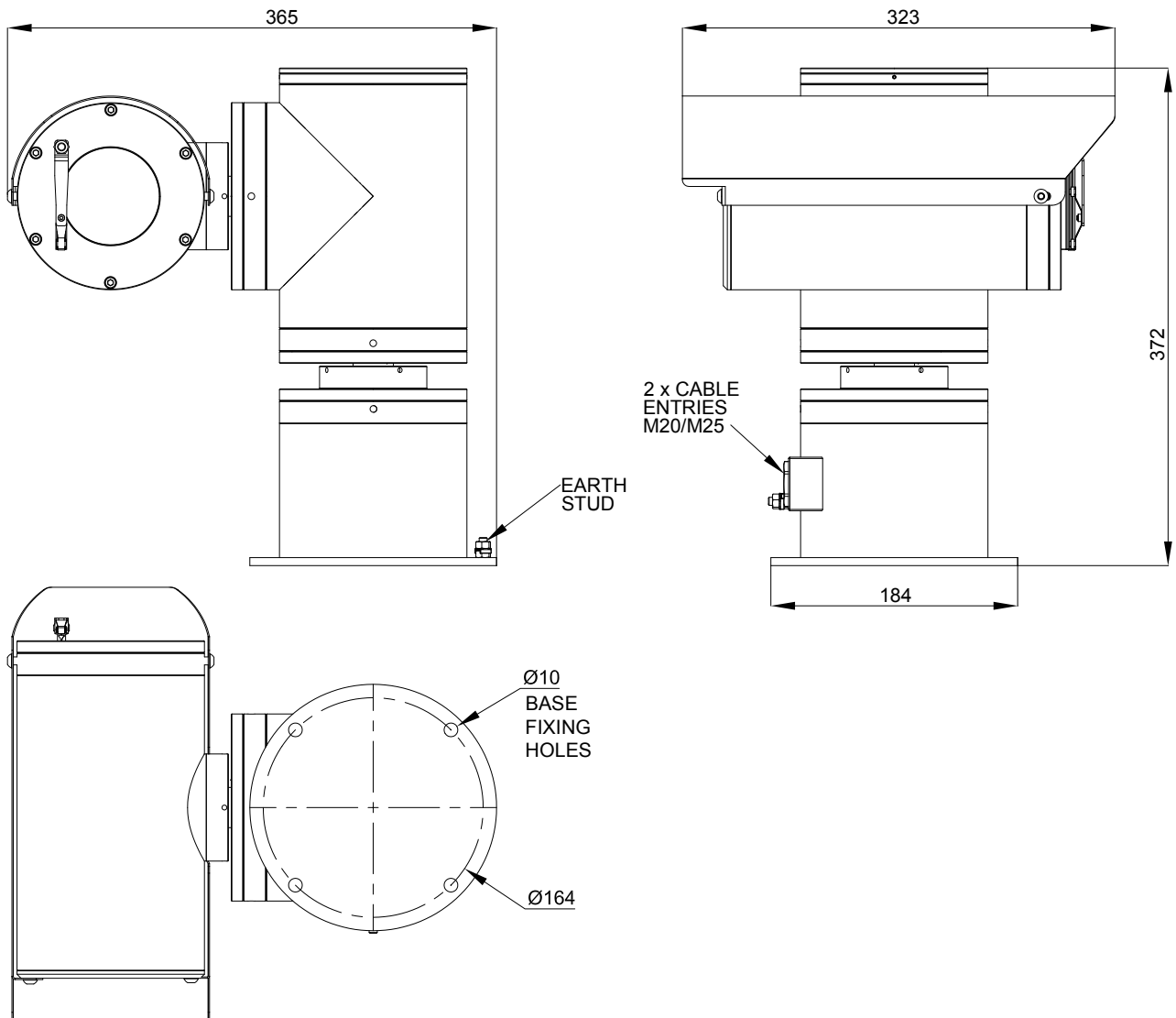
mail: 96 Rolleston Drive, Arnold, Nottingham, NG5 7JP United Kingdom.

©ZIZCAM LIMITED (2014) All text, drawings and photography contained within this data sheet are the property of ZIZCAM Ltd and are subject to copyright. Information may neither be transmitted or copied to third parties without the express written consent of ZIZCAM Ltd.

ZIZCAM Ltd have a policy of continuous product improvement and contents herein are liable to change without notice.



Dimensions (model shown ZCAM4-3)



ZIZCAM LIMITED

email: sales@zizcam.com web: www.zizcam.com Tel: +44 (0) 115 920 2888

mail: 96 Rolleston Drive, Arnold, Nottingham, NG5 7JP United Kingdom.

©ZIZCAM LIMITED (2014) All text, drawings and photography contained within this data sheet are the property of ZIZCAM Ltd and are subject to copyright. Information may neither be transmitted or copied to third parties without the express written consent of ZIZCAM Ltd.

ZIZCAM Ltd have a policy of continuous product improvement and contents herein are liable to change without notice.

