

# ZCAM6-4-WA *Integral adaptive IR illuminator*

## GEN3 WEATHERPROOF DAY/NIGHT HD IP CAMERA

DS-114 Issue 02

ZIZCAM Ltd are a UK based manufacturer of CCTV Cameras for use in the Hazardous Oil, Gas and Petrochemical industries.

Consequently our products are very robust and designed to comply with international standards.

Please do not hesitate to contact us for further information on our products we look forward to working with you on a project soon...

### ZIZCAM FOR NON HAZARDOUS INDUSTRIAL AREAS

---

*2MP Full HD IP onboard camera*

*30X Motorised Zoom lens*

*Integral IR LED illuminator*

*Optional integral window wiper mechanism*

*All AISI 316L Stainless Steel construction*

*Integral interfaces for Direct Fibre output or Ethernet*

---



ZIZCAM moves forward the Oil & Gas Petrochemical CCTV market with a new and exciting product range. The 3<sup>rd</sup> Generation ZCAM6-4 range of CCTV fixed cameras developed for use in non-hazardous areas in all offshore, onshore and marine environments.

The optional, integral adaptive illuminator covers up to 150metres.

These cameras are constructed entirely from AISI 316L stainless steel for low maintenance and protection from corrosion, small in appearance, lightweight and designed for easy installation and maintenance.

Certified to IP66 and IP68 for weatherproof and dust proof environments, the ZCAM6 range provides for all requirements of daylight and low light safety and surveillance monitoring for non-hazardous areas.

#### ZIZCAM LIMITED

email: [sales@zizcam.com](mailto:sales@zizcam.com) web: [www.zizcam.com](http://www.zizcam.com) Tel: +44 (0) 115 920 2888

mail: 96 Rolleston Drive, Arnold, Nottingham, NG5 7JP United Kingdom.

©ZIZCAM LIMITED (2021) All text, drawings and photography contained within this data sheet are the property of ZIZCAM Ltd and are subject to copyright. Information may neither be transmitted or copied to third parties without the express written consent of ZIZCAM Ltd.

ZIZCAM Ltd have a policy of continuous product improvement and contents herein are liable to change without notice.

## Technical Specifications

General Specifications	
CE Approval:	CE Compliant to LVD (2014/35/EU and EMC 2014/30/EU Directives)
Construction:	Stainless Steel AISI 316L,
Supply Voltage:	48VDC 1.0Amp max (Optional factory fitted 24VDC to 48VDC PSU in Housing) (Optional factory fitted 85-264VAC Mains PSU in Housing)
Power Consumption:	32 Watts max, 65 Watts for -60°C operation
Cable Entries:	2 x M20 gland direct entry, for Power, Ethernet CAT6 or Fibre Optic field cables or conduit.
Weight:	6 to 8Kg depending on model
Mounting:	Swivel joint for pole top or wall mount bracket
Operating Temperature:	-20°C to +60°C standard (-40°C & -60°C option on request)
Ingress Protection:	IP66 & IP68
Impact Protection rating:	IK10 to IEC/EN 62262:2002
Encoder & Telemetry Control Receiver Driver	
Lens Control:	Via integral IP ONVIF interface
Communication:	ONVIF Ethernet to VMS or Web browser, internal telemetry driver for wiper and washer control
Telemetry & Auxiliary relay Protocols:	Pelco P and D as standard, or to customer specification, , configured via web page or VMS
Digital IO:	1 Alarm input and 1 output
Auxiliary Relay:	Fitted in housing, for washer system activation from Digital output

Integral IR LED Illuminator Module :	
Power source:	Integral PSU, within Camera enclosure
LED Beam angle:	Variable between 49° and 10° - Zoom position tracking
IR LED wavelength:	850nm
Usable range:	Up to 150 metres (dependent on, site conditions and Camera/lens sensitivity)
Operation:	Adjusts the lighting intensity and beam angle for optimal scene illumination, according to relative zoom lens position

Ethernet Cabling Interface Options	
Ethernet:	Direct connection via CAT6 cable
Fibre Optic interface:	Direct Fibre Optic connection via integral Fibre Optic media converter, with SFP Fibre option

### ZIZCAM LIMITED

email: [sales@zizcam.com](mailto:sales@zizcam.com) web: [www.zizcam.com](http://www.zizcam.com) Tel: +44 (0) 115 920 2888

mail: 96 Rolleston Drive, Arnold, Nottingham, NG5 7JP United Kingdom.

©ZIZCAM LIMITED (2021) All text, drawings and photography contained within this data sheet are the property of ZIZCAM Ltd and are subject to copyright. Information may neither be transmitted or copied to third parties without the express written consent of ZIZCAM Ltd.

ZIZCAM Ltd have a policy of continuous product improvement and contents herein are liable to change without notice.



Zoom Camera Module : ZCAM-WA-30: FULL HD 2MP 30x Zoom	
Imager:	1/3" Type CMOS Sensor
Effective Pixels:	2.35 Megapixels
Resolution:	1920x1080
Optical Zoom:	30x
Digital Zoom:	OFF/ON (max. 32x)
Focal Length:	f = 4.3 (WIDE) to 129.0 (TELE) mm - (F1.6 to F4.7)
Horizontal angle of view:	Approx. 65.1 degree (WIDE end), Approx. 2.34 degree (TELE end)
Focus:	Auto/Manual
Day & Night:	Auto/Manual (ICR) Colour / B/W
AE Control:	Full Auto/Manual
Shutter speed:	1/30(25) ~ 1/30,000sec)
S/N Ratio:	>50dB AGC off
Wide Dynamic Range:	Yes
Digital Noise Reduction:	Auto / Off / Low / Middle / High
Backlight compensation:	On or off
White Balance:	Auto, One-push, Manual, Indoor, Outdoor
Minimum illumination:	Colour: 0.5 lux (1/30s), B/W: 0.005 lux (1/30s)

Networking features :	
Ethernet connection:	RJ-45 (10/100BASE-T) or Direct Fibre output via media converter in housing.
Video streams:	3 streams, H.264(MP/HP), H.265(MP), MJPEG
Protocols:	TCP/IP, UDP, AutoIP, RTP(UDP/TCP), RTSP, NTP, HTTP, HTTPS, SSL, DNS, DDNS, DHCP, FTP, SMTP, ICMP, SNMPv1/v2/v3(MIB-2), ONVIF
Security:	HTTPS(SSL), IP filtering, 802.1x, Digest Authentication Login authentication, Password protected
Operation:	Via Web Page, ONVIF® Profile S Compliant, CGI API
Firmware update:	Via IP connection

ZIZCAM LIMITED

email: [sales@zizcam.com](mailto:sales@zizcam.com) web: [www.zizcam.com](http://www.zizcam.com) Tel: +44 (0) 115 920 2888

mail: 96 Rolleston Drive, Arnold, Nottingham, NG5 7JP United Kingdom.

©ZIZCAM LIMITED (2021) All text, drawings and photography contained within this data sheet are the property of ZIZCAM Ltd and are subject to copyright. Information may neither be transmitted or copied to third parties without the express written consent of ZIZCAM Ltd.

ZIZCAM Ltd have a policy of continuous product improvement and contents herein are liable to change without notice.

## Models

ZCAM6-4-WA-\*\*\* Fixed Camera, complete with 30x zoom 2MP HD camera module, IR LED illuminator module, integral and heater demister and sunshield.

ZCAM6-4W-WA-\*\*\* Fixed Camera, complete with 30x zoom 2MP HD camera module, IR LED illuminator module, integral and heater demister and sunshield and integral window wiper.

*Add suffix*

*HV1, for integral 85-264VAC Mains PSU option.*

*LV1, for integral 24VDC supply option.*

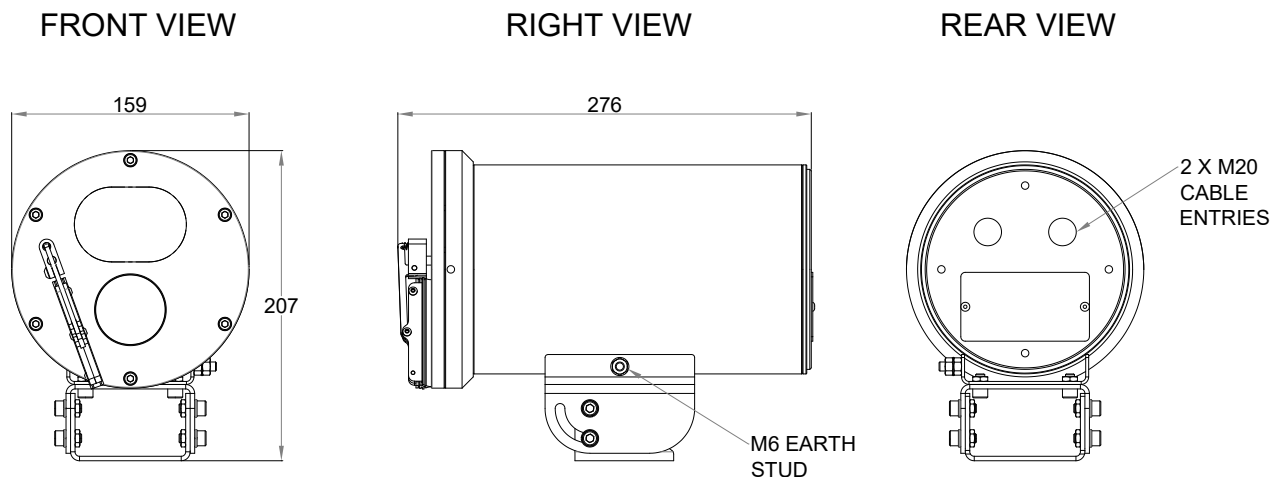
For Fibre Optic Media converter options please contact [sales@zizcam.com](mailto:sales@zizcam.com)

## Camera Mounting accessories

210-75-WB Wall mounting bracket for GEN3 ZCAM8 PTZ Camera. Stainless steel 316L.

210-75-PC Pole Clamp assembly, for 210-75-WB Bracket, Stainless steel 316L.

## ZCAM6-4W illuminator Housing Dimensions



ZIZCAM LIMITED

email: [sales@zizcam.com](mailto:sales@zizcam.com) web: [www.zizcam.com](http://www.zizcam.com) Tel: +44 (0) 115 920 2888

mail: 96 Rolleston Drive, Arnold, Nottingham, NG5 7JP United Kingdom.

©ZIZCAM LIMITED (2021) All text, drawings and photography contained within this data sheet are the property of ZIZCAM Ltd and are subject to copyright. Information may neither be transmitted or copied to third parties without the express written consent of ZIZCAM Ltd.

ZIZCAM Ltd have a policy of continuous product improvement and contents herein are liable to change without notice.