

ZCAM8

WEATHERPROOF DAY/NIGHT HD PTZ CAMERA

DS-024 Issue 02

ZIZCAM Ltd are a UK based manufacturer of CCTV Cameras for use in the Hazardous Oil, Gas and Petrochemical industries.

Consequently our products are very robust and designed to comply with international standards.

Please do not hesitate to contact us for further information on our products we look forward to working with you on a project soon...

ZIZCAM FOR NON HAZARDOUS INDUSTRIAL AREAS

High Definition (HD) onboard camera

Optional integral IR Illuminator

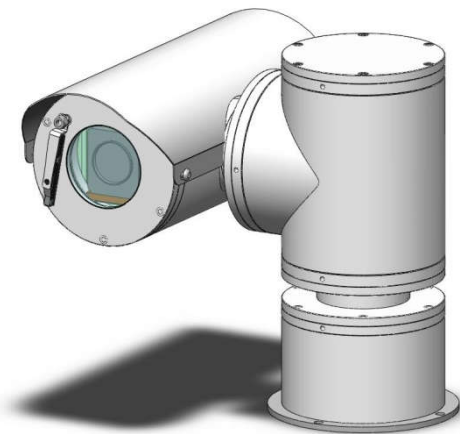
Continuous 360 degree rotation

Anti-backlash gearing

AISI 316L Stainless Steel

Integral Pelco D or P protocol Telemetry Receiver

Optional interfaces for Analogue, Fibre or Ethernet



ZIZCAM moves forward the Oil & Gas Petrochemical CCTV market with a new and exciting product.

The ZCAM8 range of CCTV pan tilt zoom cameras developed for use in non hazardous areas in all offshore, onshore industrial and marine environments. These cameras are constructed entirely from AISI 316L stainless steel for low maintenance and protection from corrosion, small in appearance, lightweight and designed for easy installation and maintenance.

Certified to IP66 and IP68 for weatherproof and dust proof environments, the ZCAM8 range provides for all requirements of daylight and low light safety and surveillance monitoring for non-hazardous areas.

ZIZCAM LIMITED

email: sales@zizcam.com web: www.zizcam.com Tel: +44 (0) 115 920 2888

mail: 96 Rolleston Drive, Arnold, Nottingham, NG5 7JP United Kingdom.

©ZIZCAM LIMITED (2014) All text, drawings and photography contained within this data sheet are the property of ZIZCAM Ltd and are subject to copyright. Information may neither be transmitted or copied to third parties without the express written consent of ZIZCAM Ltd.

ZIZCAM Ltd have a policy of continuous product improvement and contents herein are liable to change without notice.



Technical Specifications

General Specifications	
CE Approval:	CE Compliant to LVD 200/95/EC and EMC 2004/108/EC Directives
Construction:	Stainless Steel AISI 316L,
Supply Voltage:	24 Volt AC 50/60Hz, (Optional factory fitted 110/220VAC step down transformer in base)
Power Consumption:	100 Watts max
Cable Entries:	2 x M25 or M20 gland entry at base
Weight:	17 to 21Kg depending on model
Mounting:	4 x M10 fixings on 152mm PCD
Operating Temperature:	-20°C to +60°C standard (-40°C & -60°C option on request) -20°C to +70°C with optional cooling kit
Ingress Protection:	IP66 & IP68
Pan Tilt Unit	
Pan Angle:	360° continuous rotation
Tilt Angle:	+90°/-90° max from horizontal
Preset positioning:	Fitted as standard
Positioning accuracy:	<0.1°, anti backlash gearing
Speed:	Variable 0.1 to 45°/sec Pan and Tilt (nominal)
Limits:	User adjustable software stops, where required
Telemetry Control Receiver Driver	
Pan Tilt Motor Drive:	0 to 24VDC variable speed, DC motors
Lens Control:	Via serial interface Pelco protocol
Presets:	64 preset positions standard
Communication:	RS422/RS485, as standard
Protocols:	Pelco P and D as standard, or to customer specification
Auxiliary Relays:	2 x 24VAC relays for wash wipe
IR LED Illuminator Module :	
Power source :	Integral 24VAC PSU, within Camera enclosure
LED Beam angle :	12° standard
IR LED wavelength :	850nm
Usable range :	Up to 100 metres (dependent on site conditions and Camera/lens sensitivity)
Operation :	Automatic on/off via photo sensor or manual switch via auxiliary command

ZIZCAM LIMITED

email: sales@zizcam.com web: www.zizcam.com Tel: +44 (0) 115 920 2888

mail: 96 Rolleston Drive, Arnold, Nottingham, NG5 7JP United Kingdom.

©ZIZCAM LIMITED (2014) All text, drawings and photography contained within this data sheet are the property of ZIZCAM Ltd and are subject to copyright. Information may neither be transmitted or copied to third parties without the express written consent of ZIZCAM Ltd.

ZIZCAM Ltd have a policy of continuous product improvement and contents herein are liable to change without notice.

CCD Block Camera Module : HD 30x Zoom module	
Image Size:	Type 1/3 CMOS
Effective Pixels:	2 Megapixels
Output Pixels, Frame Rate:	1920(H) x 1080(V)/30p, 25p, 29.97p, 60i, 50i, 59.94i 1280(H) x 720(V)/60p, 50p, 59.94p
Optical Zoom:	30x
Digital Zoom:	OFF/ON (max. 12x)
Focal Length:	4.4 - 132mm
Horizontal angle of view:	63.4° (w) - 2.3° (t)
Vertical angle of view:	37.3° (w) - 1.3° (t)
Aperture:	F1.4 (w) - F4.6 (t)
Focus:	Auto/Manual (Far/Near)
IR Cut filter Removable:	Auto (Pro.AER, Pro.AER+) / Manual
Digital Slow Shutter:	YES w/o WDR
Wide Dynamic Range:	OFF/WDR+ Contrast offset/AD-WDR+ Contrast offset/Contrast offset
Electronic Shutter:	Auto ProAE (1/30s - 1/30,000s) Auto (+ Digital Slow Shutter) ProAE+ (1/2s - 1/30,000s) Manual (Shutter Priority) 1/1s - 1/30,000s
Iris:	Auto (Average Offset/Peak Offset)
BLC:	OFF/ON
White Balance:	Auto (Normal/Sodium/Mercury) / Manual
Min. Sensitivity (Typical):	IR-cut ON (1/30s) 0.4 lx IR-cut ON (1/8s) 0.1 lx IR-cut OFF (1/8s) 0.01 lx Condition F1.4 (Wide), 350mV (50IRE) equivalent
Electronic Image Stabilization:	OFF/ON (Digital Zoom max.2.0x)

ZIZCAM LIMITED

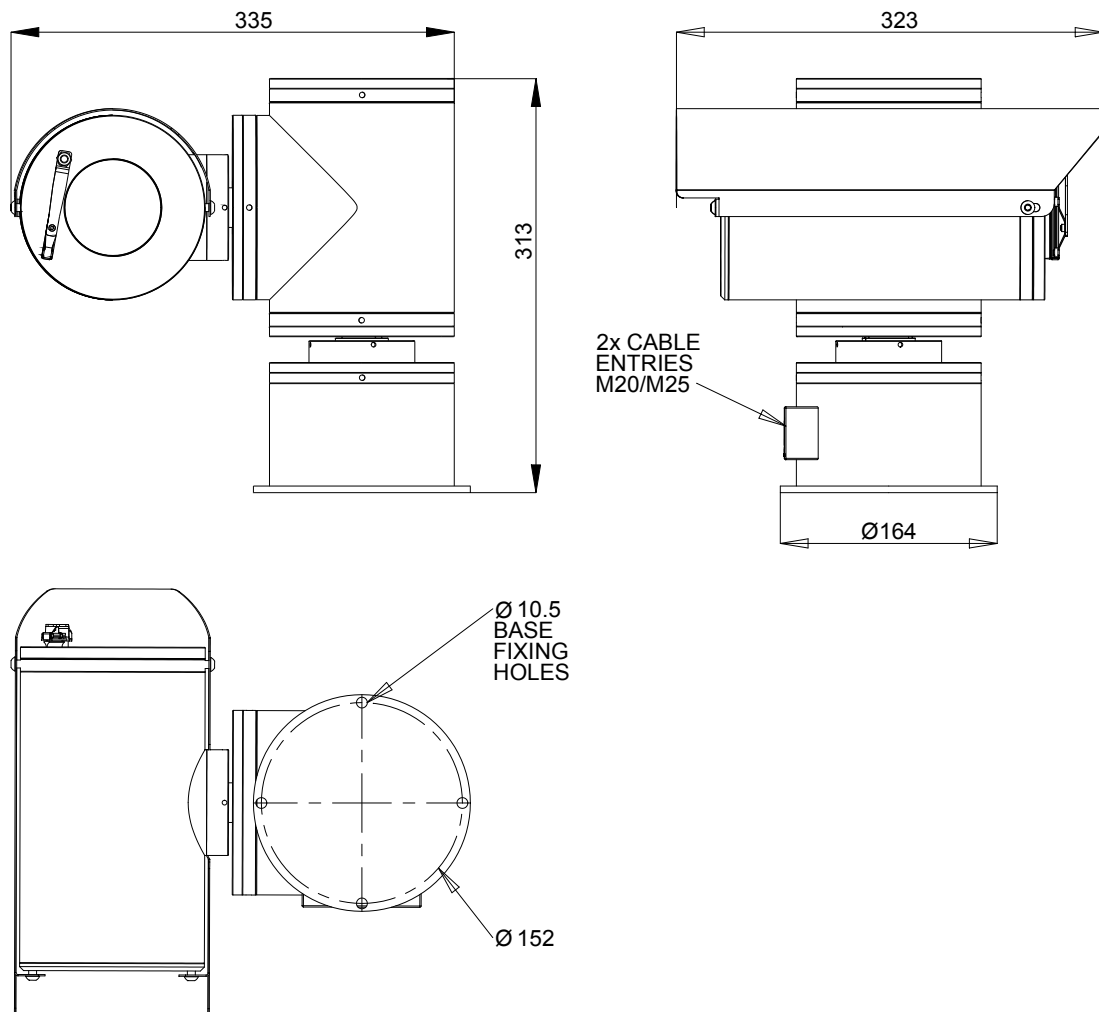
email: sales@zizcam.com web: www.zizcam.com Tel: +44 (0) 115 920 2888

mail: 96 Rolleston Drive, Arnold, Nottingham, NG5 7JP United Kingdom.

©ZIZCAM LIMITED (2014) All text, drawings and photography contained within this data sheet are the property of ZIZCAM Ltd and are subject to copyright. Information may neither be transmitted or copied to third parties without the express written consent of ZIZCAM Ltd.

ZIZCAM Ltd have a policy of continuous product improvement and contents herein are liable to change without notice.

Dimensions *(model shown ZCAM8-3)*



Models

- | | |
|---------|--|
| ZCAM8-1 | Integrated Pan Tilt 24VDC variable speed 0 to 55°/sec, short housing length, complete with 30x zoom HD visual camera module, integral heater demister. |
| ZCAM8-2 | Integrated Pan Tilt 24VDC variable speed 0 to 55°/sec, medium housing length, complete with 30x zoom HD visual camera module, integral and heater demister. |
| ZCAM8-3 | Integrated Pan Tilt 24VDC variable speed 0 to 55°/sec, medium housing length, complete with 30x zoom HD visual camera module, integral window wiper and heater demister. |
| ZCAM8-4 | Integrated Pan Tilt 24VDC variable speed 0 to 55°/sec, medium housing length, complete with 30x zoom HD visual camera module, integral IR illuminator, window wiper and heater demister. |

ZIZCAM LIMITED

email: sales@zizcam.com web: www.zizcam.com Tel: +44 (0) 115 920 2888

mail: 96 Rolleston Drive, Arnold, Nottingham, NG5 7JP United Kingdom.

©ZIZCAM LIMITED (2014) All text, drawings and photography contained within this data sheet are the property of ZIZCAM Ltd and are subject to copyright. Information may neither be transmitted or copied to third parties without the express written consent of ZIZCAM Ltd.

ZIZCAM Ltd have a policy of continuous product improvement and contents herein are liable to change without notice.