

ZCAM8-5-WA

GEN3 WEATHERPROOF HD IP PTZ CAMERA

DS-106 Issue 03

ZIZCAM Ltd are a UK based manufacturer of CCTV Cameras for use in the Hazardous Oil, Gas and Petrochemical industries.

Consequently our products are very robust and designed to comply with international standards.

Please do not hesitate to contact us for further information on our products we look forward to working with you on a project soon...



ZIZCAM FOR NON HAZARDOUS INDUSTRIAL AREAS

2MP Full HD IP onboard camera

Continuous 360 degree rotation

Direct drive, Zero backlash Brushless DC servo motors for longevity

Outstanding accuracy and dynamic range

AISI 316L Stainless Steel

ONVIF compliant

Direct Fibre output or Ethernet from external PSU JB

ZIZCAM moves forward the Oil & Gas Petrochemical CCTV market with a new and exciting product.

The 3RD generation ZCAM8-5 uses technology new to the CCTV industry, providing outstanding and ultra-reliable performance.

Each axis is driven directly without intermediate belts or gears by our unique brushless DC digital servo drives to give a previously unattainable level of positional accuracy, repeatability, zero backlash, smoothness and silent operation. This results in military performance at commercial cost, with very long life and maintenance free, leading to low cost of ownership.

The ZCAM8-5 motors have positional intelligence and will maintain or recover to its correct position immediately in heavy winds or being knocked out of position.

The ZCAM8-5 is constructed entirely from AISI 316L stainless steel for low maintenance and protection from corrosion, small in appearance, lightweight and designed for easy installation and maintenance.

Certified to IP66 and IP68 for weatherproof and dust proof environments, the ZCAM8 range provides for all requirements of daylight and low light safety and surveillance monitoring for non-hazardous areas.

ZIZCAM LIMITED

email: sales@zizcam.com web: www.zizcam.com Tel: +44 (0) 115 920 2888

mail: 96 Rolleston Drive, Arnold, Nottingham, NG5 7JP United Kingdom.

©ZIZCAM LIMITED (2021) All text, drawings and photography contained within this data sheet are the property of ZIZCAM Ltd and are subject to copyright. Information may neither be transmitted or copied to third parties without the express written consent of ZIZCAM Ltd.

ZIZCAM Ltd have a policy of continuous product improvement and contents herein are liable to change without notice.

Technical Specifications

General Specifications	
CE Approval:	CE Compliant to LVD (2014/35/EU and EMC 2014/30/EU Directives)
Construction:	Stainless Steel AISI 316L
Supply Voltage:	46-50 Volts DC 2.0A max (Standard power from external 85-264VAC Mains PSU Junction box) (Option for Power from external 24VDC to 48VDC PSU Junction Box)
Power Consumption:	72 Watts nominal
Cable Entries:	1 x RJ45 CAT6 weather-pooof IP68 plug and cable assembly 1 x 12 way weather-proof IP68 power and I/O plug and cable assembly Sockets in camera base, connected to external PSU JB
Weight:	10.5Kg
Mounting:	4 x M8 fixings on 101.6mm PCD
Operating Temperature:	-30°C to +60°C standard (-40°C & -60°C option on request)
Ingress Protection:	IP66, IP67 & IP68
Impact Protection rating:	IK10 to IEC/EN 62262:2002
Pan Tilt Unit	
Pan Angle:	360° continuous rotation
Tilt Angle:	+90°/-90° max from horizontal (360° continuous rotation option)
Pre-set positions:	256 Fitted as standard, optical encoder.
Positioning accuracy:	+/-0.02°
Speed:	Variable 0.05 to 200°/sec Pan and Tilt (nominal) zero backlash. Proportional Pan/Tilt control, continually matches pan and tilt speeds to zoom position
Encoder & Telemetry Control Receiver Driver	
Pan Tilt Motor Drive:	48VDC variable speed, brushless DC servo drives
Lens Control:	Via integral IP ONVIF interface
Communication:	ONVIF Ethernet to VMS or Web browser, internal RS485 telemetry control for PTZ and wash wipe
Wiper:	Fitted as standard (integrated control)
Telemetry & Auxiliary relay Protocols:	Pelco P and D as standard, or to customer specification, configured via web page or VMS
Digital IO:	1 Alarm input and 1 output
Auxiliary Relay:	Fitted in external PSU JB, for washer system activation from Digital output

ZIZCAM LIMITED

email: sales@zizcam.com web: www.zizcam.com Tel: +44 (0) 115 920 2888

mail: 96 Rolleston Drive, Arnold, Nottingham, NG5 7JP United Kingdom.

©ZIZCAM LIMITED (2021) All text, drawings and photography contained within this data sheet are the property of ZIZCAM Ltd and are subject to copyright. Information may neither be transmitted or copied to third parties without the express written consent of ZIZCAM Ltd.

ZIZCAM Ltd have a policy of continuous product improvement and contents herein are liable to change without notice.



Zoom Camera Module : ZCAM-WA-30: FULL HD 2MP 30x Zoom	
Imager:	1/3" Type CMOS Sensor
Effective Pixels:	2.35 Megapixels
Resolution:	1920x1080
Optical Zoom:	30x
Digital Zoom:	OFF/ON (max. 32x)
Focal Length:	f = 4.3 (WIDE) to 129.0 (TELE) mm - (F1.6 to F4.7)
Horizontal angle of view:	Approx. 65.1 degree (WIDE end), Approx. 2.34 degree (TELE end)
Focus:	Auto/Manual
Day & Night:	Auto/Manual (ICR) Colour / B/W
AE Control:	Full Auto/Manual
Shutter speed:	1/30(25) ~ 1/30,000sec)
S/N Ratio:	>50dB AGC off
Wide Dynamic Range:	Yes
Digital Noise Reduction:	Auto / Off / Low / Middle / High
Backlight compensation:	On or off
White Balance:	Auto, One-push, Manual, Indoor, Outdoor
Minimum illumination:	Colour: 0.5 lux (1/30s) B/W: 0.005 lux (1/30s)

Networking features :	
Ethernet connection:	RJ-45 (10/100BASE-T) or Direct Fibre output via media converter in PSU Junction box.
Video streams:	3 streams, H.264(MP/HP), H.265(MP), MJPEG
Protocols:	TCP/IP, UDP, AutoIP, RTP(UDP/TCP), RTSP, NTP, HTTP, HTTPS, SSL, DNS, DDNS, DHCP, FTP, SMTP, ICMP, SNMPv1/v2/v3(MIB-2), ONVIF
Security:	HTTPS(SSL), IP filtering, 802.1x, Digest Authentication Login authentication, Password protected
Operation:	Via Web Page, ONVIF® Profile S Compliant, CGI API
Firmware update:	Via IP connection

ZIZCAM LIMITED

email: sales@zizcam.com web: www.zizcam.com Tel: +44 (0) 115 920 2888

mail: 96 Rolleston Drive, Arnold, Nottingham, NG5 7JP United Kingdom.

©ZIZCAM LIMITED (2021) All text, drawings and photography contained within this data sheet are the property of ZIZCAM Ltd and are subject to copyright. Information may neither be transmitted or copied to third parties without the express written consent of ZIZCAM Ltd.

ZIZCAM Ltd have a policy of continuous product improvement and contents herein are liable to change without notice.

Models

ZCAM8-5-WA	Integrated Pan Tilt, variable speed 0 to 200°/sec, 48VDC powered, complete with 30x zoom 2MP Full HD IP camera module, heater demister.
ZCAM8-5W-WA	Integrated Pan Tilt, variable speed 0 to 200°/sec, 48VDC powered, complete with 30x zoom 2MP Full HD IP camera module, integral window wiper and heater demister.

Add PSU Option from below:

ZC8-PSU1	Steel, polyester powder coated, 85-264VAC Mains input, PSU JB for Ethernet CAT6 transmission.
ZC8-PSU1-FO	Steel, polyester powder coated, 85-264VAC Mains input, PSU JB for Fibre Optic transmission with Single Mode FO media converter fitted. Includes FO splice cassette and couplers for 4 core fibre cable.
ZC8-PSU2	Stainless steel, 316L, 85-264VAC Mains input, PSU JB for Ethernet CAT6 transmission.
ZC8-PSU2-FO	Stainless steel, 316L, 85-264VAC Mains input, PSU JB for Fibre Optic transmission with Single Mode FO media converter fitted. Includes FO splice cassette and couplers for 4 core fibre cable.

Camera Mounting accessories

ZC8-75-WB	Wall mounting bracket for GEN3 ZCAM8 PTZ Camera. Stainless steel 316L.
210-75-PC	Pole Clamp assembly, for ZC8-75-WB Bracket, Stainless steel 316L.
ZC8-75-CC4	4 inch column spacer with M20 conduit entry for GEN3 ZCAM8 PTZ Camera cable management on pole top. Stainless steel 316L.

ZIZCAM LIMITED

email: sales@zizcam.com web: www.zizcam.com Tel: +44 (0) 115 920 2888

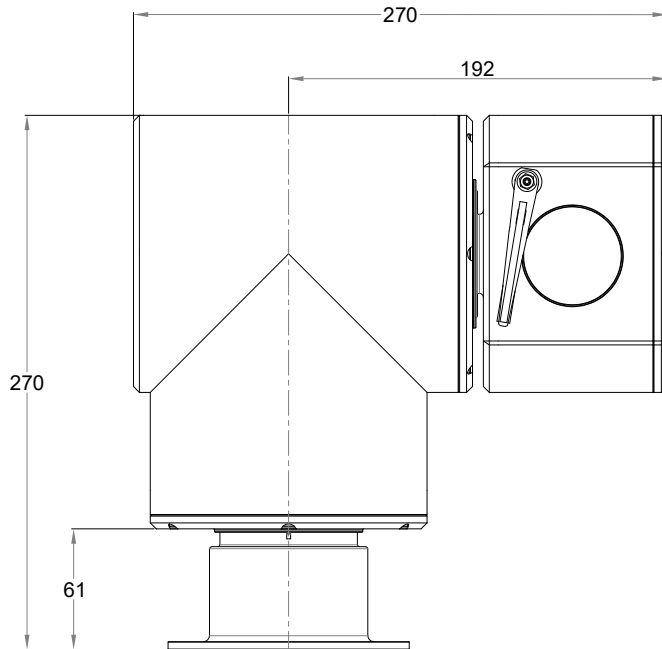
mail: 96 Rolleston Drive, Arnold, Nottingham, NG5 7JP United Kingdom.

©ZIZCAM LIMITED (2021) All text, drawings and photography contained within this data sheet are the property of ZIZCAM Ltd and are subject to copyright. Information may neither be transmitted or copied to third parties without the express written consent of ZIZCAM Ltd.

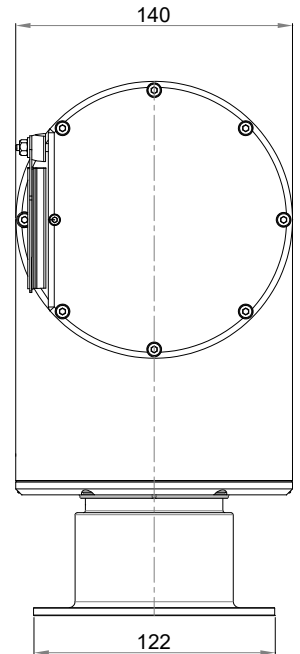
ZIZCAM Ltd have a policy of continuous product improvement and contents herein are liable to change without notice.

Dimensions (model shown ZCAM8-5W-WA)

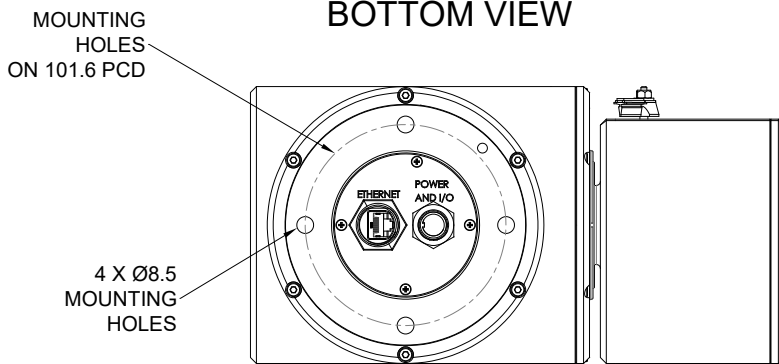
FRONT VIEW



RIGHT VIEW



BOTTOM VIEW



ZIZCAM LIMITED

email: sales@zizcam.com web: www.zizcam.com Tel: +44 (0) 115 920 2888

mail: 96 Rolleston Drive, Arnold, Nottingham, NG5 7JP United Kingdom.

©ZIZCAM LIMITED (2021) All text, drawings and photography contained within this data sheet are the property of ZIZCAM Ltd and are subject to copyright. Information may neither be transmitted or copied to third parties without the express written consent of ZIZCAM Ltd.

ZIZCAM Ltd have a policy of continuous product improvement and contents herein are liable to change without notice.