

# SLIC D

## PARALLEL OUTPUT DRIVER CARD

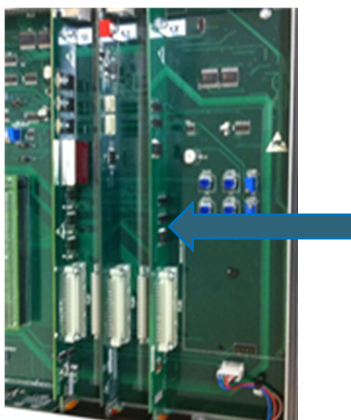
DS-002 Issue 03



Thank you for your interest in Zitzel - we are a UK based manufacturer of PAGA and Intercom products. Our systems are mainly designed for use in the Hazardous Oil, Gas and Petrochemical industries.

SLIC D is a compact PCB module designed to fit into a Zitzel ZX100 host management system. The unit can control up to two LTDO03 post amplifier switching ports for multi-zone PAGA applications where dedicated amplifier assignment would not be cost effective.

SLIC D is controlled by ZX100 configuration which can be tailored to project specific requirements by file download.



### ZITTEL ZEST SLIC D PARALLEL OUTPUT DRIVER

*16-bit Parallel output port – In excess of  
4000 discreet output conditions available*

*Up to sixteen drive channels*

*IDC connected – Rapid  
installation and setting to work*

*Fully configurable – No ‘one-time  
programmable’ chips; future proof*

The Zitzel ZEST SLIC D is a compact plug in/out PCB module which fits into a ZX100 management system SLIC slot enabling up to sixteen drive outputs. Each output is configurable within ZX100 management without resource to hardware changes, chip exchanges or re-wiring. The SLIC D allows the ZX100 to extend output conditions to external equipment – for example to a DCS system or to control expansion facilities, example type LTDO13 or LTDO02X. Up to two LTDO13 post amplifier switches can be connected enabling subzone or zone expansion to 16 zones per SLIC with ultimate expansion to 64 zones where four SLIC D modules are fitted.

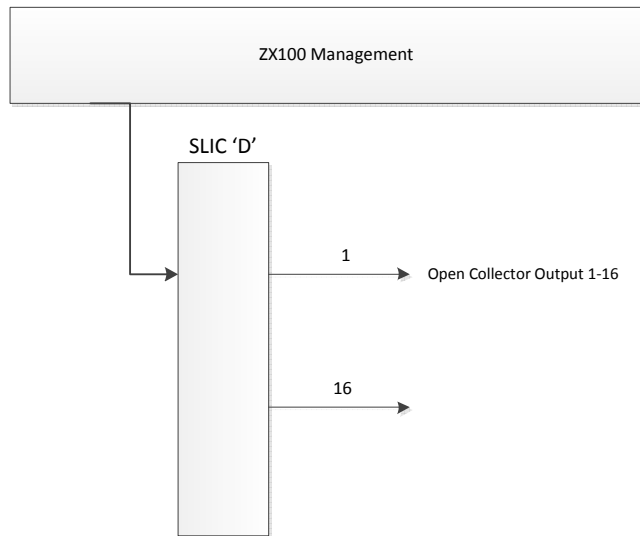
When used with LTDO13 (post amplifier switch) up to 16 x sub-zones can be established from a single amplifier output, or with LTDO02X up to 1400 flashing beacons can be controlled in 30 groups. This enables complex cause and effect configuration possibilities including operation of multi-colour ‘column’ lights combined with diverse broadcast zone plans.

The SLIC D enables extension of sixteen drive outputs to implement up to sixteen zones of address. Connection from SLIC D to the outside world is by two 10-way ribbon cable headers which also extend +48V<sub>DC</sub> power supply to the target hardware.

#### ZITTEL LIMITED

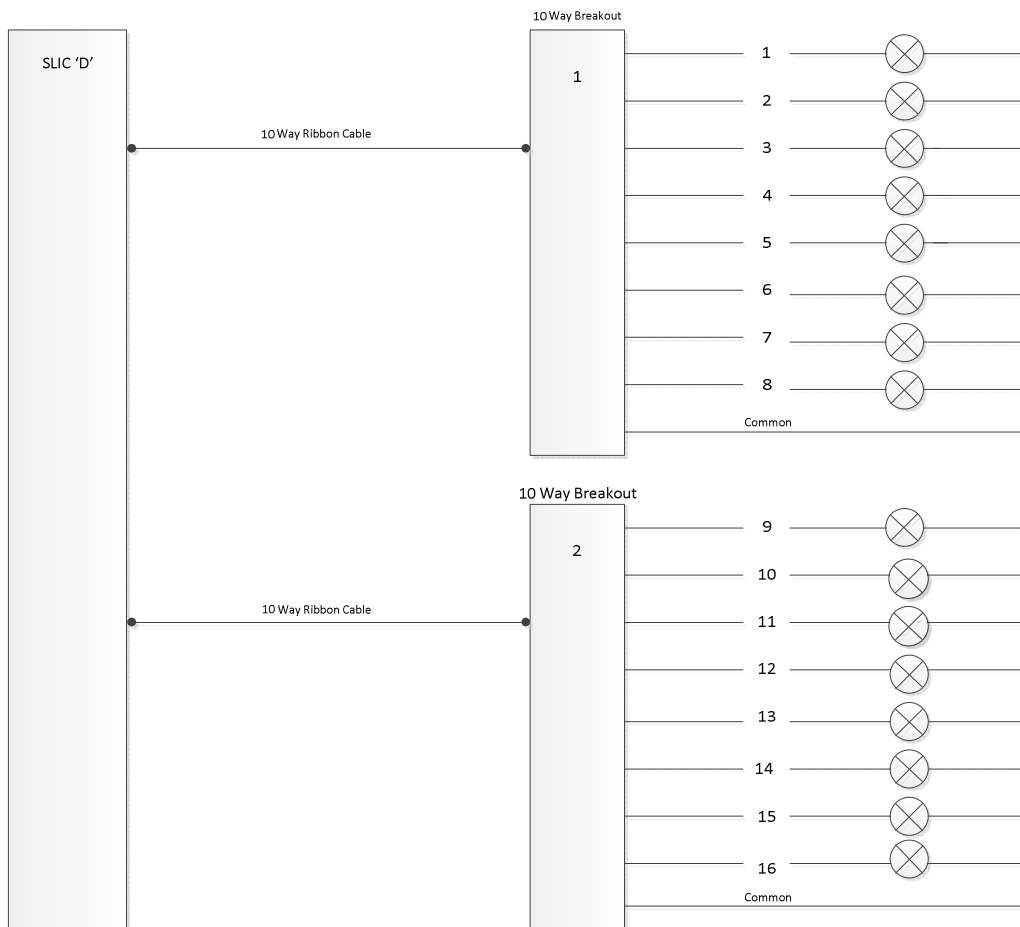
email: [sales@zitzel.com](mailto:sales@zitzel.com) web: [www.zitzel.com](http://www.zitzel.com) tel: +44 (0) 115 9202888  
mail: 96 Rolleston Drive, Arnold, Nottingham, NG5 7JP United Kingdom

All text, drawings and photography contained within this data sheet are the property of Zitzel Ltd and are subject to copyright. Information may neither be transmitted or copied to third parties without the express written consent of Zitzel Ltd. Zitzel Ltd have a policy of continuous product improvement and contents here in are liable to change without notice.



Basic SLIC 'D' Arrangement

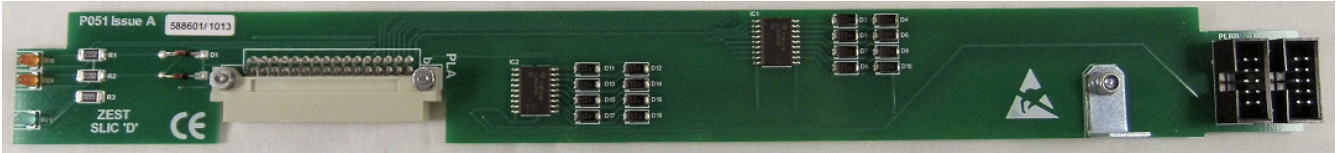
**Basic SLIC 'D' Arrangement with unspecified output drives.**



**ZIZTEL LIMITED**

email: [sales@ziztel.com](mailto:sales@ziztel.com) web: [www.ziztel.com](http://www.ziztel.com) tel: +44 (0) 115 9202888  
 mail: 96 Rolleston Drive, Arnold, Nottingham, NG5 7JP United Kingdom

All text, drawings and photography contained within this data sheet are the property of Ziztel Ltd and are subject to copyright. Information may neither be transmitted or copied to third parties without the express written consent of Ziztel Ltd. Ziztel Ltd have a policy of continuous product improvement and contents here in are liable to change without notice.



SLIC D can also be used to provide sixteen unspecified outputs. SLIC D can drive up to sixteen relays or lamp loads, maximum load per channel is 20mA at 48V<sub>DC</sub> (Note that inductive loads shall be quenched by diodes to eliminate back EMF).

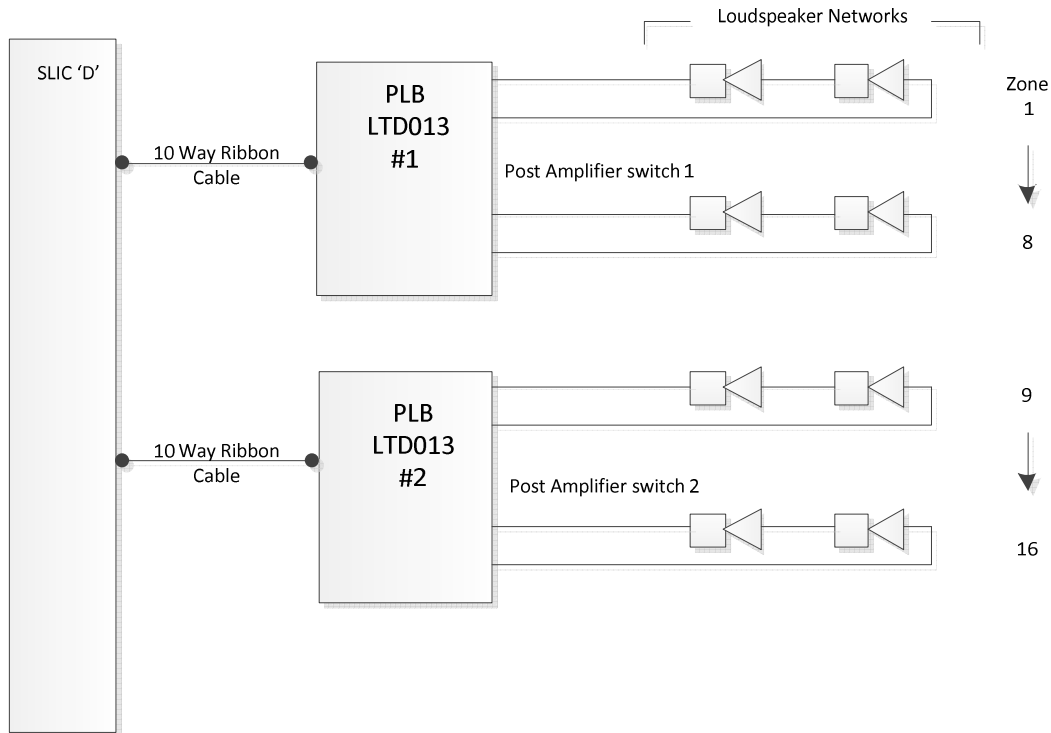


Photo shows the rear view ZX100 PAGA control unit with SLIC D installed.

## Technical Specification

Supply Output	48V <sub>DC</sub> maximum total load is 320mA
Number of Channels	16
Configuration	File download
Connection	2x 10-way IDC ribbon cable headers
Temperature Range	-20 °C to +70 °C
Location	ZX100 host controller, SLIC slots 1-5

### ZIZTEL LIMITED

email: [sales@ziztel.com](mailto:sales@ziztel.com) web: [www.ziztel.com](http://www.ziztel.com) tel: +44 (0) 115 9202888  
 mail: 96 Rolleston Drive, Arnold, Nottingham, NG5 7JP United Kingdom

All text, drawings and photography contained within this data sheet are the property of Ziztel Ltd and are subject to copyright. Information may neither be transmitted or copied to third parties without the express written consent of Ziztel Ltd. Ziztel Ltd have a policy of continuous product improvement and contents here in are liable to change without notice.