

LTD002

BEACON NETWORK TERMINATION DEVICE

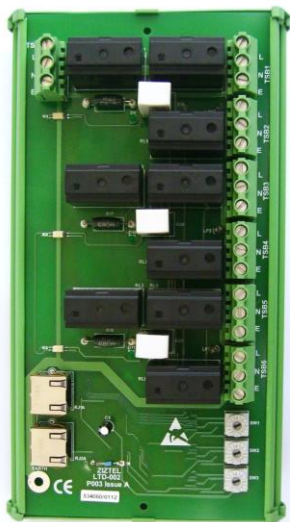


DS-006 Issue 04

Thank you for your interest in Zitel - we are a UK based manufacturer of PAGA and Intercom products. Our systems are mainly designed for use in the Hazardous Oil, Gas and Petrochemical industries.

Flashing beacons are fitted in high noise areas – typically in excess of 84dBA – to supplement acoustic broadcasts from PAGA loudspeakers.

The flashing beacon devices are managed by LTD002 which is capable of driving up to three discreet loops with each loop able to support up to forty flashing beacons. Connection to host is via quick connect RJ45 patch lead.



ZITTEL ZEST LTD002

Small size, light weight, space saving, higher cable density

Lightning protection – high reliability, minimal downtime

Integral status display, rapid fault finding

Loop wired – self-healing in event of cable discontinuity

The LTD002 is a compact DIN rail mount plug in/out module designed to form part of Zitel ZEST PAGA package and is included to control visual warning devices (flashing beacon/lights) enabling effective alarm annunciation in high ambient noise locations. The unit is capable of managing up to three separate flashing beacon circuits under control of a ZX100 PAGA management host and is fully configurable enabling each channel to be assigned to a selected cause and effect. For example, an IMO/SOLAS application would assign channel 1 to red flashing beacons (general alarm) and channel 2 to yellow flashing beacons (Gas alarm).

Each control output is capable of switching a load of up to 40 flashing beacons with total prospective load of 120 beacons per unit. Connection to host management is by standard RJ45 network patch cord.

The LTD002 incorporates a fully supervised self-healing architecture which ensures continued flashing beacon service in event of a possible field cable break/discontinuity in any of the three beacon circuits. Self-healing is immediate with no processing delays to further enhance visual warning beacon subsystem integrity.

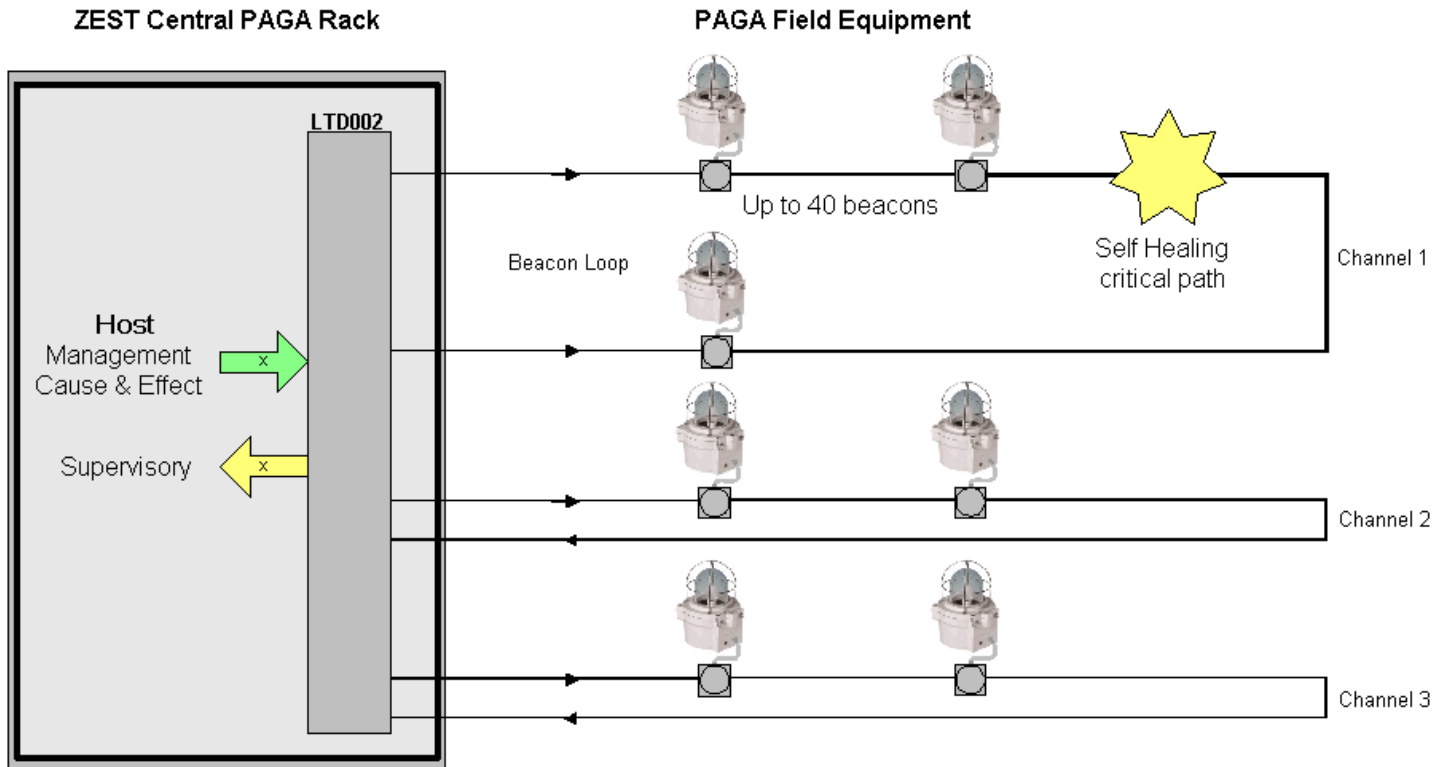
ZITTEL LIMITED

email: sales@zitel.com web: www.zitel.com tel: +44 (0) 115 9202888
mail: 96 Rolleston Drive, Arnold, Nottingham, NG5 7JP United Kingdom

All text, drawings and photography contained within this data sheet are the property of Zitel Ltd and are subject to copyright. Information may neither be transmitted or copied to third parties without the express written consent of Zitel Ltd. Zitel Ltd have a policy of continuous product improvement and contents here in are liable to change without notice.

Note that it is advised that AC flashing beacons are employed to obviate potentially detrimental supply voltage drop in field distribution cables.

Note that LTD002 switches the presented mains supply to the target beacon loads and does not carry any mains supply conversion hardware. Further LTD002 can be cascaded to provide switching for up to total 480 beacons. Where switching is required in excess of 480 devices, specify LTD002X which allows control of up to 1200 beacons.



Technical Specification	
Number of channels	3
Output voltage AC	110/120Vac or 220/240Vac, 50/60Hz
Output voltage DC	24/48 VDC
Maximum load AC	40 flashing beacons per channel
Maximum load DC	20 flashing beacons per channel @ 48 VDC 10 flashing beacons per channel @ 24 VDC
Field Cable conductor size	Up to 4mm ² cross sectional area
Dimensions	280mm x 100mm x 70mm
Temperature range	-25°C to +70°C
Humidity	80% non-condensing
Shock vibration	Up to 1g any direction
Terminal	Up to 4mm ² CSA ferrule conductors
Weight	0.5Kg
Location	Safe Area

ZIZTEL LIMITED

email: sales@ziztel.com web: www.ziztel.com tel: +44 (0) 115 9202888
mail: 96 Rolleston Drive, Arnold, Nottingham, NG5 7JP United Kingdom

All text, drawings and photography contained within this data sheet are the property of Ziztel Ltd and are subject to copyright. Information may neither be transmitted or copied to third parties without the express written consent of Ziztel Ltd. Ziztel Ltd have a policy of continuous product improvement and contents here in are liable to change without notice.