

LTD013

POST AMPLIFIER SWITCH TERMINATION DEVICE



DS-033 Issue 06

Thank you for your interest in Zitel - we are a UK based manufacturer of PAGA and Intercom products. Our systems are mainly designed for use in Military, marine and the Hazardous Oil, Gas and Petrochemical industries.

The LTD013 is designed to allow PAGA to address up to eight discreet broadcast areas / zones.

The unit can support either radial loudspeaker wiring or when used in conjunction with LTD003 termination device loop wired loudspeaker network topologies.

LTD013 SUB-ZONING

Multiple zone drive from a single amplifier module – reduces amplifier over head

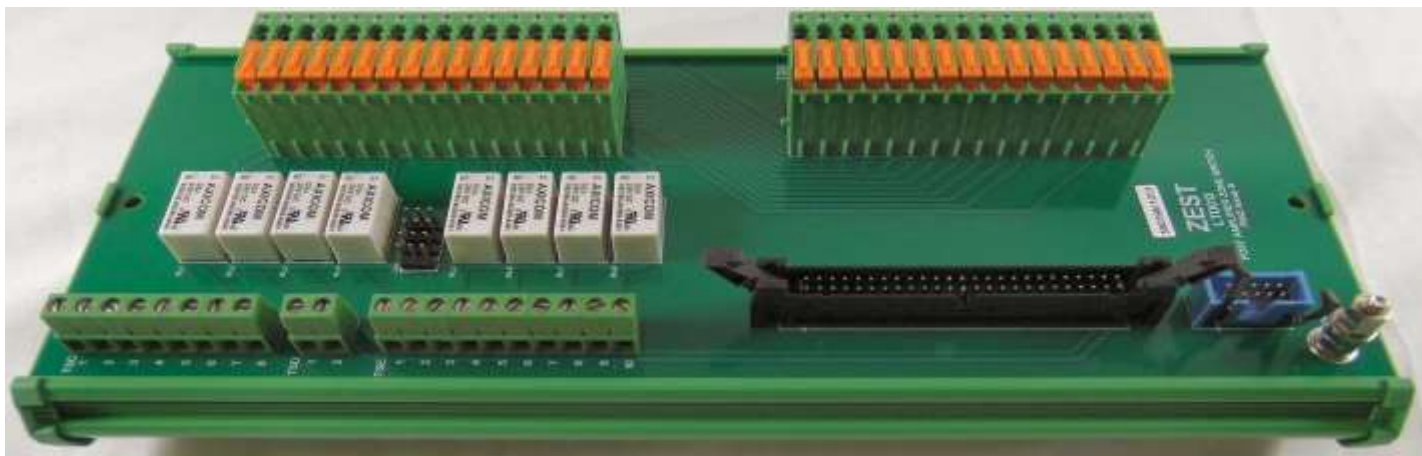
Fail safe zone selection – safety critical applications

Test disconnect terminations – speeds commissioning / service

Cost saving over multiple amplifier solutions – suitable for lightly loaded zones

The ZEST LTD013 termination device is a compact DIN rail mountable assembly designed to allow a single or dual Zitel 350 A series audio power amplifier output-s to route program inputs to up to eight discreet broadcast zones [in the case of dual power amplifier assignment the zone drive can be split into two i.e. zones 1-4 amplifier input 1 and zones 5 – 8 amplifier input 2 prescribed by on board patch links].

The unit features duplicated test / connect - disconnect lever terminals enabling possible dual field circuit distribution to each zone.



ZITTEL LIMITED

email: sales@zittel.com web: www.zittel.com tel: +44 (0) 115 9202888
mail: 96 Rolleston Drive, Arnold, Nottingham, NG5 7JP United Kingdom

All text, drawings and photography contained within this data sheet are the property of Zitel Ltd and are subject to copyright. Information may neither be transmitted or copied to third parties without the express written consent of Zitel Ltd. Zitel Ltd have a policy of continuous product improvement and contents here in are liable to change without notice.

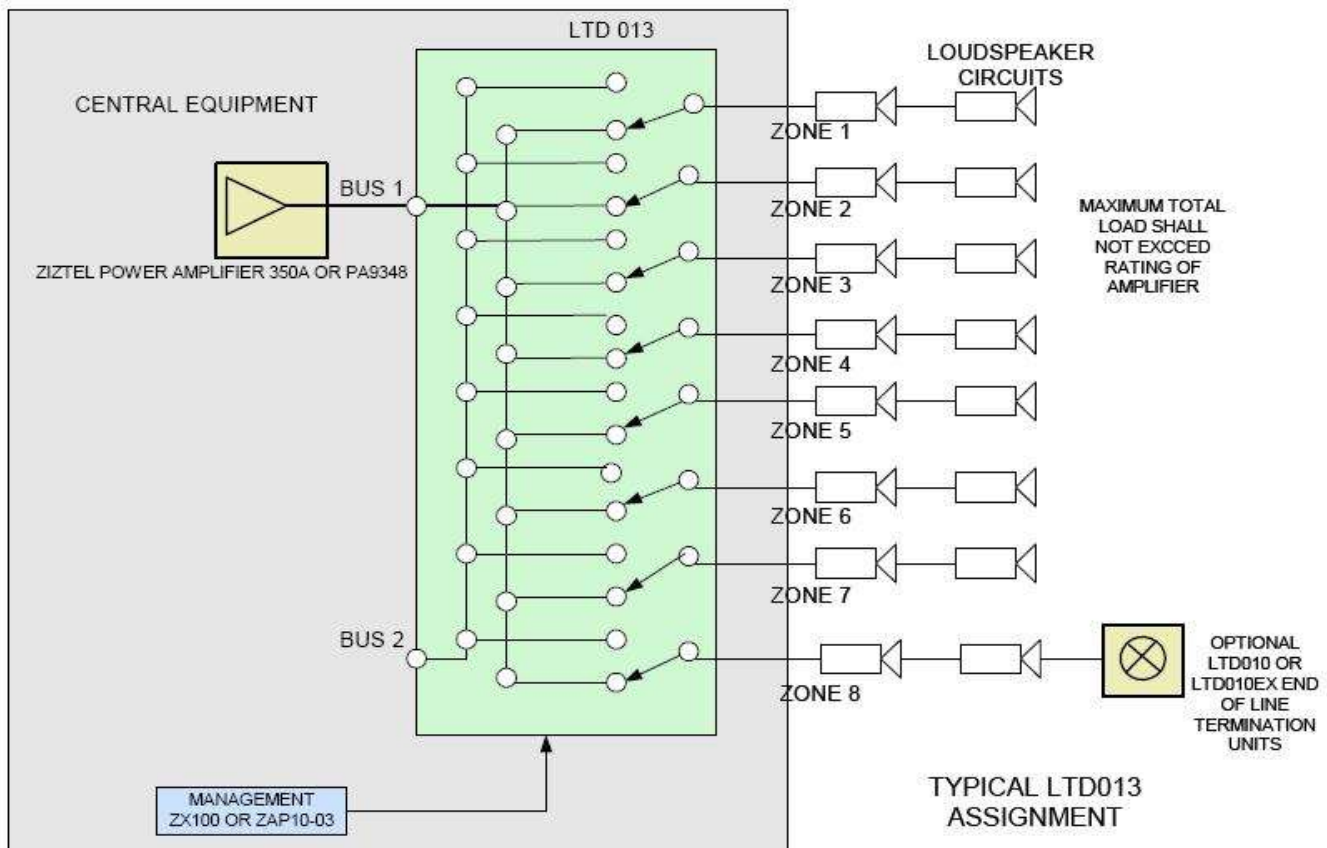
LTD013 extends radial based industry standard 70 / 100 volt line and associated field circuits can be optionally supervised by ZEST LTD010 or LTD010Ex end of line termination boxes. For high criticality installations the target loudspeaker field circuits can be arranged on self-healing loops and in this instance the LTD013 operates in conjunction with LTD003 termination device.

The zone control management is arranged on a failsafe basis ensuring that **all** zones are selected in event of LTD013 equipment trouble.

The maximum total loudspeaker power for the zones connected to the LTD013 should not exceed the amplifier rating - 350 Watts RMS for the 350A module and 500 watts RMS for the 350-500A module.

In the event that greater power is required then two amplifier modules can be bridged to deliver the combined power single ended into the LTD013, for example two 350 A amplifiers bridged can deliver a 700Watt capacity.

The LTD013 is equipped with dual outputs enabling termination of up to two radials per zone output. When used in loop mode in conjunction with LTD003 then up to six LTD003 termination devices can be assigned providing supervision and management of six loops per zone of address.



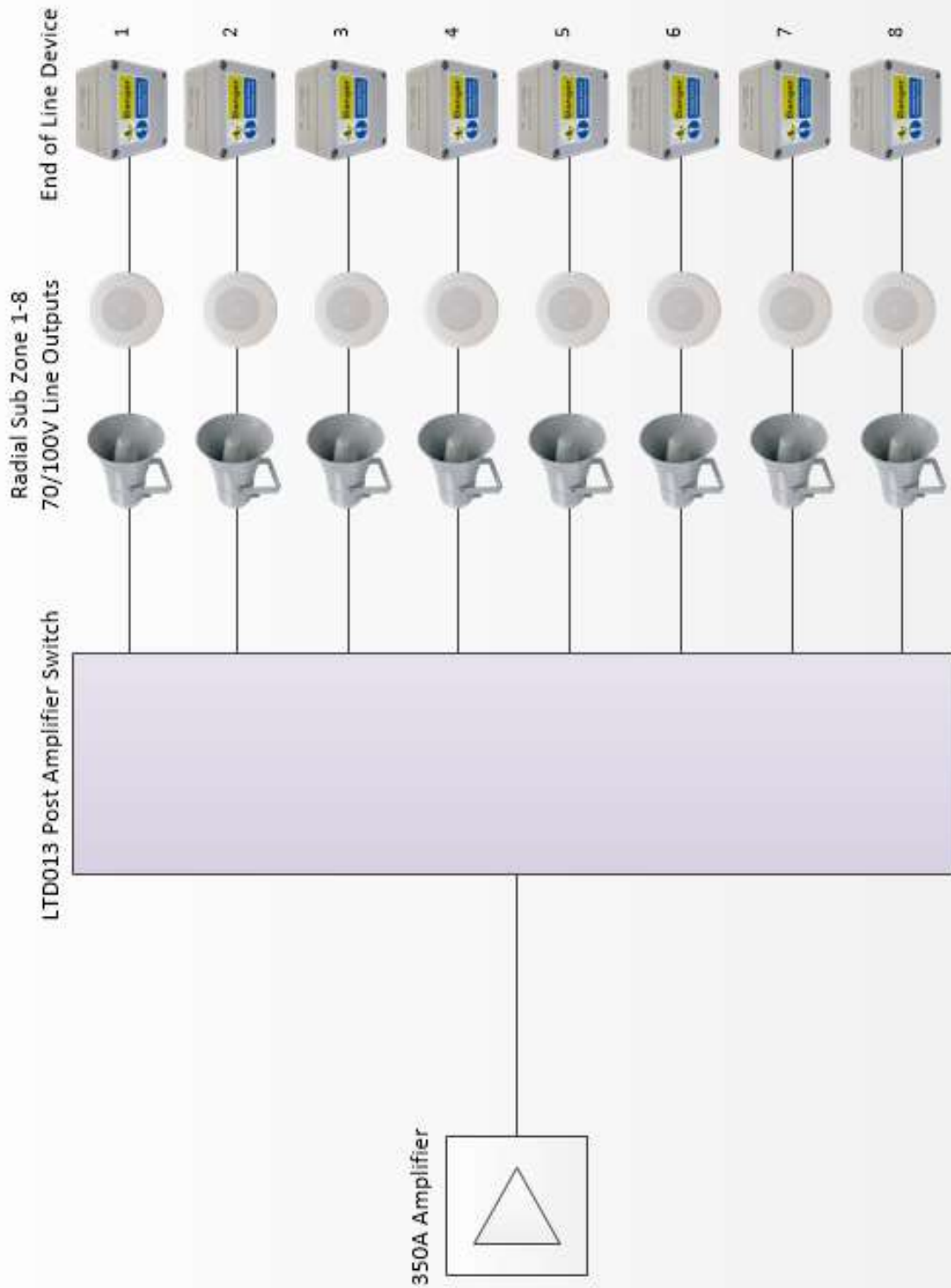
Typical arrangement shown above. Note that a secondary input allows the deselected zone to engage 'bus 2' which can then inject back ground music.

ZIZTEL LIMITED

email: sales@ziztel.com web: www.ziztel.com tel: +44 (0) 115 9202888
 mail: 96 Rolleston Drive, Arnold, Nottingham, NG5 7JP United Kingdom

All text, drawings and photography contained within this data sheet are the property of Ziztel Ltd and are subject to copyright. Information may neither be transmitted or copied to third parties without the express written consent of Ziztel Ltd. Ziztel Ltd have a policy of continuous product improvement and contents here in are liable to change without notice.

8 x Sub Zone per Amplifier

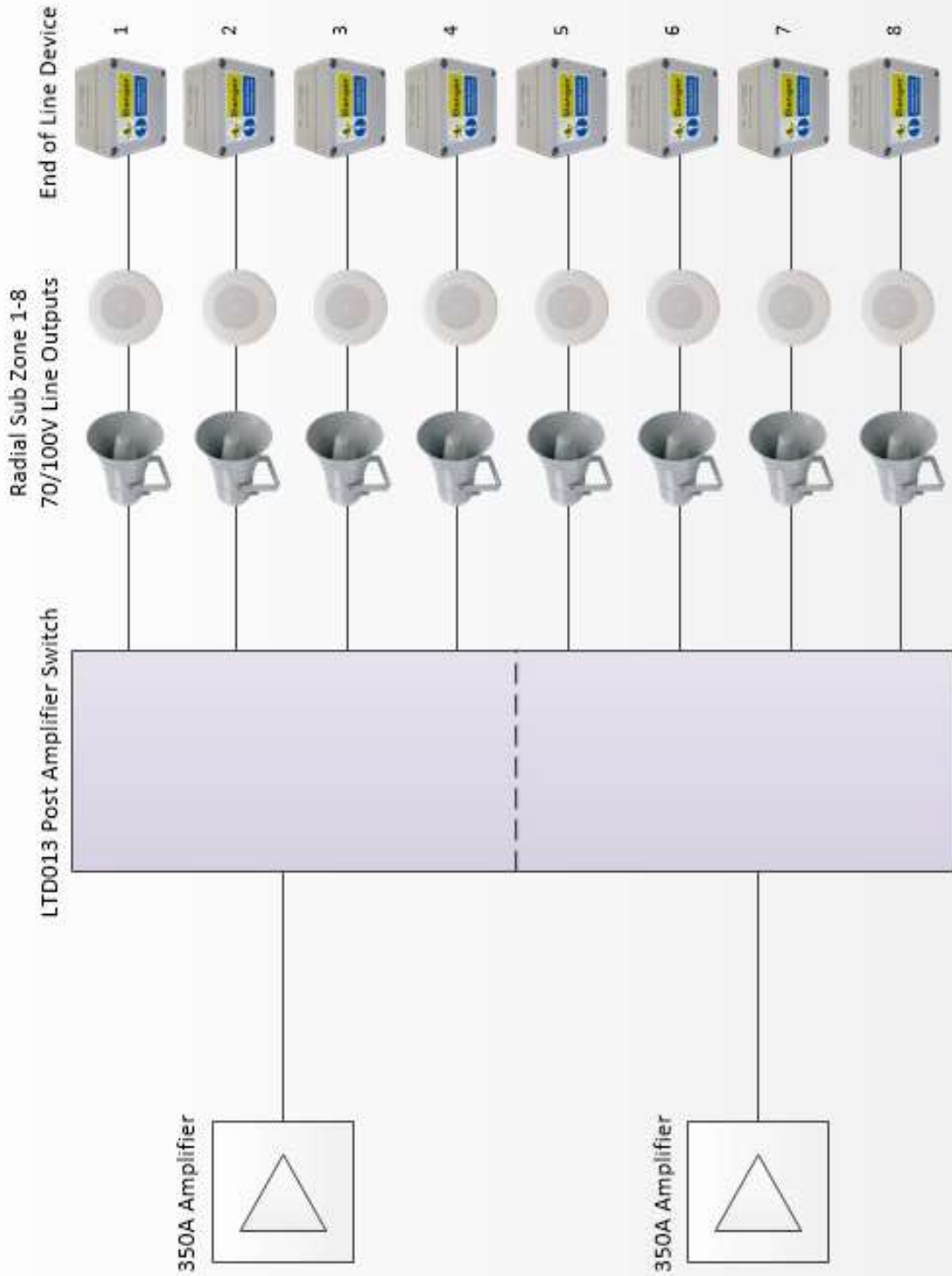


ZIZTEL LIMITED

email: sales@ziztel.com web: www.ziztel.com tel: +44 (0) 115 9202888
mail: 96 Rolleston Drive, Arnold, Nottingham, NG5 7JP United Kingdom

All text, drawings and photography contained within this data sheet are the property of Ziztel Ltd and are subject to copyright. Information may neither be transmitted or copied to third parties without the express written consent of Ziztel Ltd. Ziztel Ltd have a policy of continuous product improvement and contents here in are liable to change without notice.

4 x Sub Zone per Amplifier

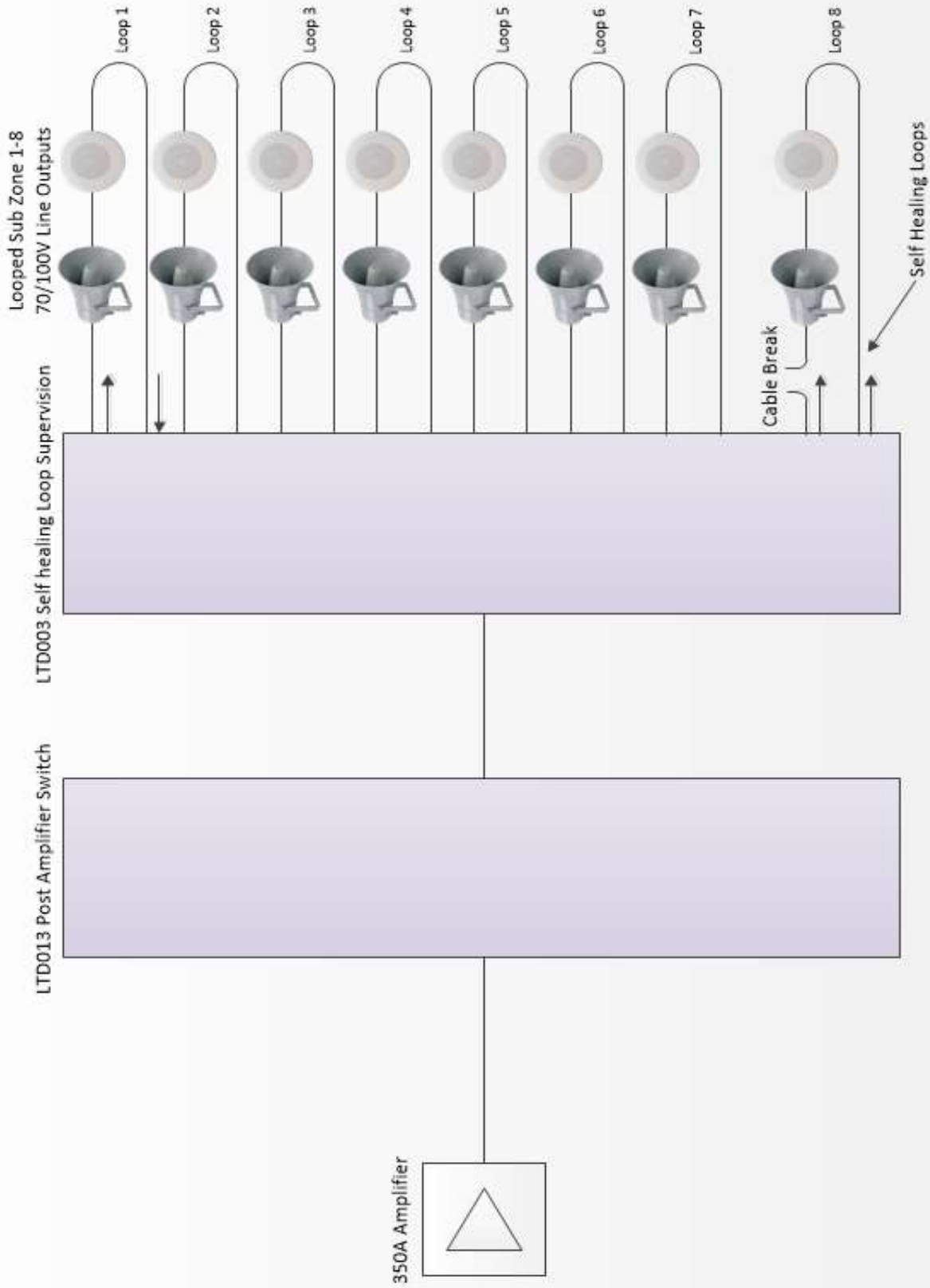


ZIZTEL LIMITED

email: sales@ziztel.com web: www.ziztel.com tel: +44 (0) 115 9202888
mail: 96 Rolleston Drive, Arnold, Nottingham, NG5 7JP United Kingdom

All text, drawings and photography contained within this data sheet are the property of Ziztel Ltd and are subject to copyright. Information may neither be transmitted or copied to third parties without the express written consent of Ziztel Ltd. Ziztel Ltd have a policy of continuous product improvement and contents here in are liable to change without notice.

8 x Sub Zone Loops per Amplifier



ZITTEL LIMITED

email: sales@zitzel.com web: www.zitzel.com tel: +44 (0) 115 9202888
mail: 96 Rolleston Drive, Arnold, Nottingham, NG5 7JP United Kingdom

All text, drawings and photography contained within this data sheet are the property of Zitzel Ltd and are subject to copyright. Information may neither be transmitted or copied to third parties without the express written consent of Zitzel Ltd. Zitzel Ltd have a policy of continuous product improvement and contents here in are liable to change without notice.

Technical Specification	
Input voltage	70/100 Volt line
Power Switching	500 Watts maximum per zone
Total maximum power	1000 Watts
Number of zones	Eight
Number of amplifier inputs	Two [selectable by links] diving zone assignment 1 to 4 to amplifier one and zones 5 to 8 to amplifier two
Dimensions	280mm x 100mm x 70mm
Temperature range	-20°C to +70°C
Humidity	80% non-condensing
Shock and vibration	Up to 1g any direction
Terminal	Up to 2.5mm CSA ferruled conductors
Weight	0.5Kg
Location	Safe Area

ZIZTEL LIMITED

email: sales@ziztel.com web: www.ziztel.com tel: +44 (0) 115 9202888
 mail: 96 Rolleston Drive, Arnold, Nottingham, NG5 7JP United Kingdom

All text, drawings and photography contained within this data sheet are the property of Ziztel Ltd and are subject to copyright. Information may neither be transmitted or copied to third parties without the express written consent of Ziztel Ltd. Ziztel Ltd have a policy of continuous product improvement and contents here in are liable to change without notice.