

# PH20T

## HORN LOUDSPEAKER

DS-037 Issue 02



Thank you for your interest in Ziztel - we are a UK based manufacturer of PAGA and Intercom products. Our systems are mainly designed for use in the Hazardous Oil, Gas and Petrochemical industries.

Industrial weatherproof loudspeaker designed for PAGA broadcast capability, fitted with integral transformer and pressure unit. Corrosion proof enclosure ensures long trouble free service life.

### ZIZTEL PH20T HORN LOUDSPEAKER

*Lightweight*

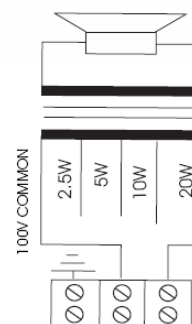
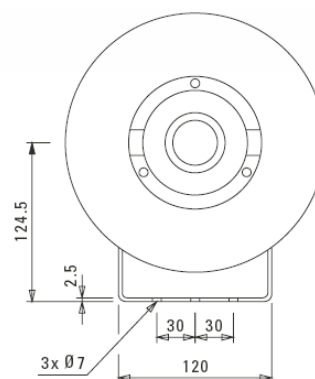
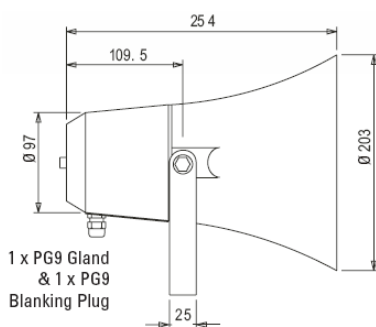
*High quality sound*

*ABS moulded compound with ultra violet light*

*Non corrosive, resistant to salt laden air*

The PH20T is a lightweight plastic weatherproof re-entrant horn designed for high quality sound reinforcement. Manufactured in a strengthened ABS molded compound with UVL (ultra violet light) protection and supplied with a high grade stainless steel epoxy coated U bracket.

Offering clarity of speech and high efficiency, these horns are suitable for communications or signal warnings. Being non-corrosive and resistant to salt laden air, they are suitable for use indoors and out. In addition they are also ideal for marine and industrial applications as they are unaffected by most chemicals.



ZIZTEL LIMITED

email: [sales@ziztel.com](mailto:sales@ziztel.com) web: [www.ziztel.com](http://www.ziztel.com) tel: +44 (0) 115 9202888  
mail: 96 Rolleston Drive, Arnold, Nottingham, NG5 7JP United Kingdom

All text, drawings and photography contained within this data sheet are the property of Ziztel Ltd and are subject to copyright. Information may neither be transmitted or copied to third parties without the express written consent of Ziztel Ltd. Ziztel Ltd have a policy of continuous product improvement and contents here in are liable to change without notice.

Technical Specification	
Rated Power Watts	20
Tappings 100 volt line, Watts (A Variant)	20/10/5/2.5
Transformer Impedance, Ohms, 100V	500/1K/2K/4K
Tappings 70.7 volt line, Watts (B Variant)	10/5/2.5/1.25
Driver impedance, Ohms	20
Effective frequency range, Hz (BSEN60268-5)	250-8,000
S.P.L. at 1m, 1 Watt, dB, Test Signal Bandwidth 100Hz-10Hz	101
S.P.L. at Full Power, Octave bandwidth, dB	114
Acoustic Power (dB-PWL at 1Watt) 1kHz, dB	98/98
Dispersion at 1k/2kHz, Degrees	130/70
Directivity Axial Q factor, 1k/2kHz	4.9/13.6
Net weight, kGs	1.7
Colour/finish	Grey Ral 7035
Material	ABS Plastic housing with UV inhibitors
Mounting	Stainless steel U bracket

ZIZTEL LIMITED

email: [sales@ziztel.com](mailto:sales@ziztel.com) web: [www.ziztel.com](http://www.ziztel.com) tel: +44 (0) 115 9202888  
mail: 96 Rolleston Drive, Arnold, Nottingham, NG5 7JP United Kingdom

All text, drawings and photography contained within this data sheet are the property of Ziztel Ltd and are subject to copyright. Information may neither be transmitted or copied to third parties without the express written consent of Ziztel Ltd. Ziztel Ltd have a policy of continuous product improvement and contents here in are liable to change without notice.