

PH10T

HORN LOUDSPEAKER

DS-039 Issue 02



Thank you for your interest in Ziztel - we are a UK based manufacturer of PAGA and Intercom products. Our systems are mainly designed for use in the Hazardous Oil, Gas and Petrochemical industries.

Industrial weatherproof loudspeaker designed for PAGA broadcast capability, fitted with integral transformer and pressure unit. Corrosion proof enclosure ensures long trouble free service life.

ZITTEL PH10T HORN LOUDSPEAKER

Lightweight

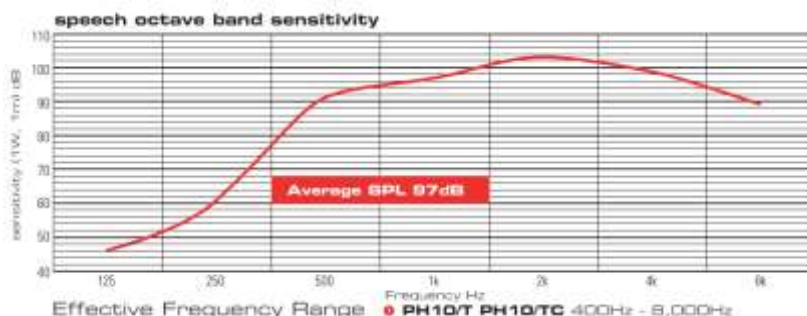
High quality sound

ABS moulded compound with ultra violet light

Non corrosive, resistant to salt laden air

The PH10T is a lightweight plastic weatherproof re-entrant horn designed for high quality sound reinforcement. Manufactured in a strengthened ABS moulded compound with UVL (ultra violet light) protection and supplied with a high grade stainless steel epoxy coated U bracket.

Offering clarity of speech and high efficiency, these horns are suitable for communications or signal warnings. Being non-corrosive and resistant to salt laden air, they are suitable for use indoors and out. In addition they are also ideal for marine and industrial applications as they are unaffected by most chemicals.

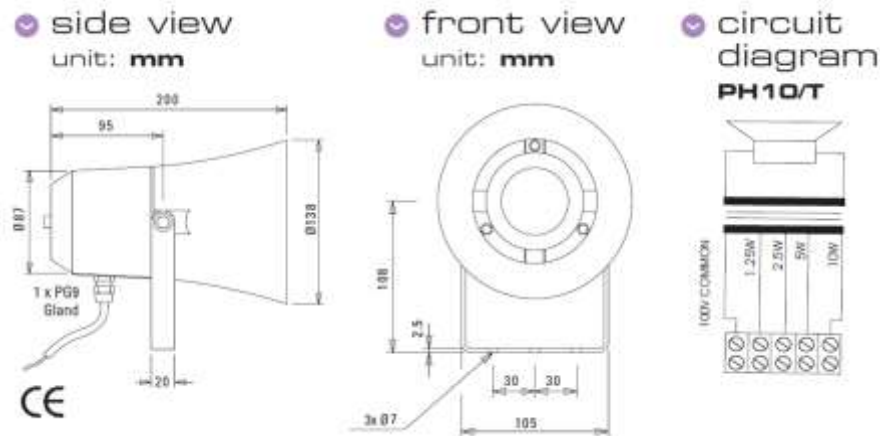


ZITTEL LIMITED

email: sales@ziztel.com web: www.ziztel.com tel: +44 (0) 115 9202888
mail: 96 Rolleston Drive, Arnold, Nottingham, NG5 7JP United Kingdom

All text, drawings and photography contained within this data sheet are the property of Ziztel Ltd and are subject to copyright. Information may neither be transmitted or copied to third parties without the express written consent of Ziztel Ltd. Ziztel Ltd have a policy of continuous product improvement and contents here in are liable to change without notice.

Technical Specification	
Rated Power Watts	10
Tappings 100 volt line, Watts (A Variant)	10/5/2.5/1.25
Transformer Impedance, Ohms, 100V	1k/2k/4k/8k
Tappings 70.7 volt line, Watts (B Variant)	5/2.5/1.25/0.625
Driver impedance, Ohms	20
Effective frequency range, Hz (BSEN60268-5)	400-8,000
S.P.L. at 1m, 1 Watt, dB, Test Signal Bandwidth 100Hz-10Hz	97
S.P.L. at Full Power, Octave bandwidth, dB	107
Acoustic Power (dB-PWL at 1Watt) 1kHz, dB	95/97
Dispersion at 1k/2kHz, Degrees	180/110
Directivity Axial Q factor, 1k/2kHz	2.8/6.6
Dimensions, front & depth, mm	Ø138 x 299
Colour/finish	Grey Ral 7035
Material	ABS Plastic housing with UV inhibitors
Mounting	Stainless steel U bracket



Ingress Protection; IP66

ZIZTEL LIMITED

email: sales@ziztel.com web: www.ziztel.com tel: +44 (0) 115 9202888
 mail: 96 Rolleston Drive, Arnold, Nottingham, NG5 7JP United Kingdom

All text, drawings and photography contained within this data sheet are the property of Ziztel Ltd and are subject to copyright. Information may neither be transmitted or copied to third parties without the express written consent of Ziztel Ltd. Ziztel Ltd have a policy of continuous product improvement and contents here in are liable to change without notice.