

ZIZTEL COMPACT GFR1K5 Z-1600-PSU UNIVERSAL AC TO DC CONVERTOR



DS-065 Issue 04

Thank you for your interest in Ziztel - we are a UK based manufacturer of PAGA and Intercom products. Our systems are mainly designed for use in the Hazardous Oil, Gas and Petrochemical industries.

Where reliable compact high density A.C. / DC power conversion is required the Ziztel GFR1K5-15/1600 universal supply provides an efficient solution ensuring safety with ease of installation.

Two types are available enabling operation of 24V or 48VDC apparatus according to specification. Switch on surge is tightly controlled eliminating false breaker trips on system A.C. power supply energisation.

ZIZTEL COMPACT GFR1K5 Z-1600-PSU

High Power Factor – energy efficient

High Efficiency – low heat emission

Light Weight – simple installation and service

Tight Regulation – suitable for safety critical application

The Ziztel 'compact' GFR1K5 Z-1600-PSU convertor is a highly integrated light weight AC to DC power unit designed to energise 350A PAGA / MBS subrack amplifier slots.

The device is designed for DIN rail mounting and incorporates a special carrier to allow clip on/off fixing enabling rapid, simple installation and service. The unit is capable of energizing up to three 350A amplifier modules and associated ZX100 management. Parallel operation is possible without resorting to blocking rectifiers enabling high security power solutions where dual power unit N + 1 capability is specified.



ZIZTEL LIMITED

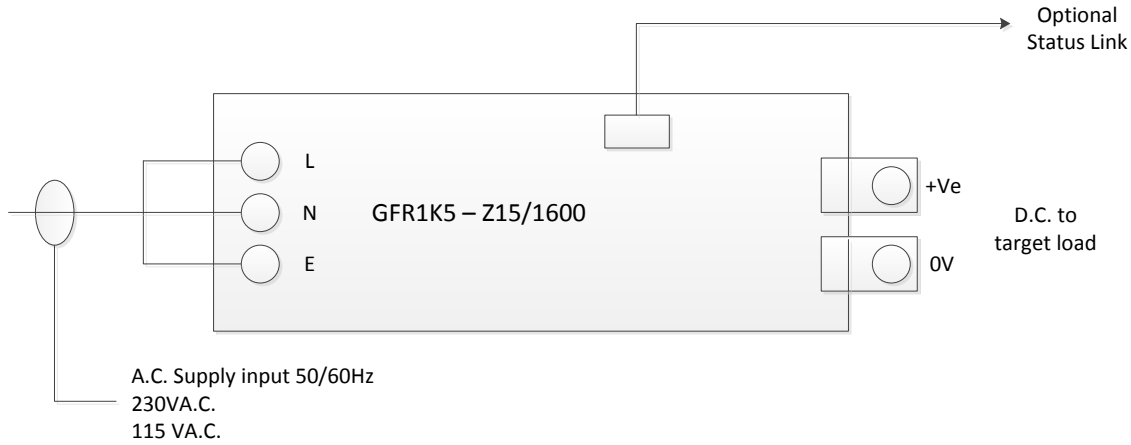
email: sales@ziztel.com web: www.ziztel.com tel: +44 (0) 115 9202888
mail: 96 Rolleston Drive, Arnold, Nottingham, NG5 7JP United Kingdom

All text, drawings and photography contained within this data sheet are the property of Ziztel Ltd and are subject to copyright. Information may neither be transmitted or copied to third parties without the express written consent of Ziztel Ltd. Ziztel Ltd have a policy of continuous product improvement and contents here in are liable to change without notice.

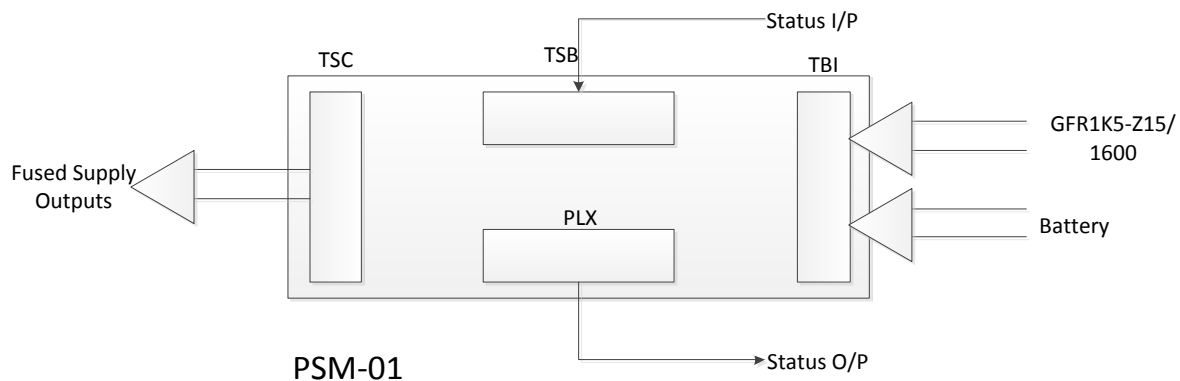
The GFR1K5 Z-1600-PSU can be used in conjunction with a PSM-01 power manager board. This unit provides four discreetly fused outlets derived from the bridged power inputs from the PSU and, for example, a battery supply.

A status output can be extended to an optional Zitel PSM-01 power manager module to enable onward fault supervisory interface where required. The power unit is available in two output voltage variants: +24V DC & +48V DC (The +24V DC variant can be employed for DC flashing beacon energisation as required).

Where an amplifier 350ASR subrack is the target the nominal +48V DC power supply unit is employed.



PSM-01 power supply manager shown below, the PSM-01 allows connection of either two compact power supply units or a compact power unit with battery backup autonomy. See data sheet DS 001 for more information.



ZITTEL LIMITED

email: sales@zitel.com web: www.zitel.com tel: +44 (0) 115 9202888
mail: 96 Rolleston Drive, Arnold, Nottingham, NG5 7JP United Kingdom

All text, drawings and photography contained within this data sheet are the property of Zitel Ltd and are subject to copyright. Information may neither be transmitted or copied to third parties without the express written consent of Zitel Ltd. Zitel Ltd have a policy of continuous product improvement and contents here in are liable to change without notice.

Technical Specification	
A.C. Supply Unit	210 – 254 VA.C.
Frequency	50/60 Hz
Regulation	Within 1dB
DC output nominal (+48V)	48 VDC (Note that voltage range extends from 47 VD.C to 53 VDC)
DC output nominal (+24V)	24 VDC
Ripple and Noise	100mV
Power Output	1500Watts
Power factor	0.9
Protection	Short circuit / over load / over temperature proof
Weight	2Kg
Dimensions	125 x 70 x 350mm
Temperature Range	-20 °C to +60 °C
Location	Safe Area Internal
Material	Aluminum
Colour	Natural anodised
Supply Input terminations	M4 LNE Terminal Block
Supply Output terminations	Bus Bar / 2 x lugs M6

ZIZTEL LIMITED

email: sales@ziztel.com web: www.ziztel.com tel: +44 (0) 115 9202888
 mail: 96 Rolleston Drive, Arnold, Nottingham, NG5 7JP United Kingdom

All text, drawings and photography contained within this data sheet are the property of Ziztel Ltd and are subject to copyright. Information may neither be transmitted or copied to third parties without the express written consent of Ziztel Ltd. Ziztel Ltd have a policy of continuous product improvement and contents here in are liable to change without notice.