

# DSP15-15EX

## EXPLOSION PROOF HORN LOUDSPEAKER



DS-070 Issue 06

Thank you for your interest in Ziztel - we are a UK based manufacturer of PAGA and Intercom products. Our systems are mainly designed for use in the Hazardous Oil, Gas and Petrochemical industries.

Consequently our products are very robust and designed to comply with international standards.

Please do not hesitate to contact us for further information on our products we look forward to working with you on a project soon...

### ZIZTEL DSP15-15EX 15 WATT HAZARDOUS AREA HORN LOUDSPEAKER

All Plastic construction with stainless steel fittings –  
*corrosion proof*

ATEX, IEC, CQST and GOST Certification – *safe for use in Zone 1 and 2 hazardous areas*

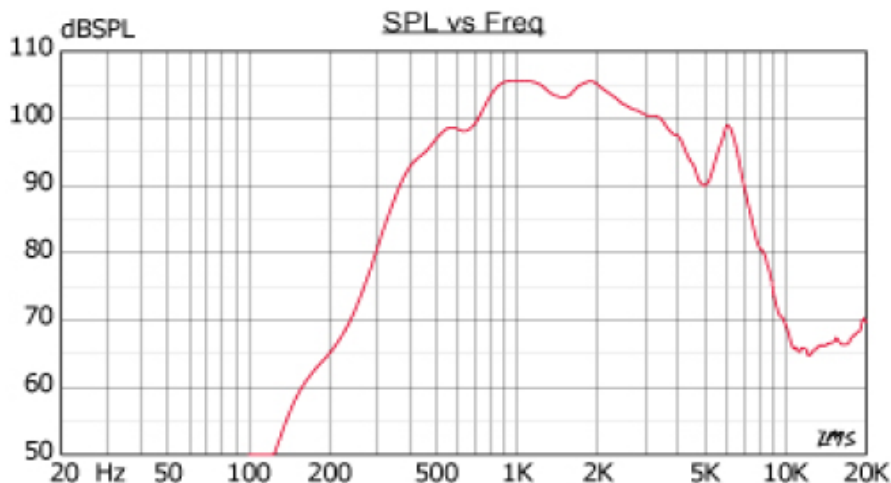
Integral multi tap transformer – *local sound pressure level assignment, industry standard 100 V line (70V)*

Ex e-Chamber - *simplifies installation*

The DSP15-15Ex is a 15W lightweight plastic horn loudspeaker certified for safe operation in gas group IIB or IIC hazardous areas.

The unit is available with ATEX, IEC, CQST and GOST certification in either 100 70V or 100V line versions.

#### SPL at 1W/1m Sine wave



ZIZTEL LIMITED

email: [sales@ziztel.com](mailto:sales@ziztel.com) web: [www.ziztel.com](http://www.ziztel.com) tel: +44 (0) 115 9202888  
mail: 96 Rolleston Drive, Arnold, Nottingham, NG5 7JP United Kingdom

All text, drawings and photography contained within this data sheet are the property of Ziztel Ltd and are subject to copyright. Information may neither be transmitted or copied to third parties without the express written consent of Ziztel Ltd. Ziztel Ltd have a policy of continuous product improvement and contents here in are liable to change without notice.

Technical Specification		
	Group IIB	Group IIC
Material	Anti-Static PA	Anti-Static PA
Colour	Black	Black
Mounting	U stainless steel Bracket	U stainless steel Bracket
Termination	E-Chamber push terminals	E-Chamber push terminals
Weight with Transformer	2.2Kg	2.2Kg
IP-Rating	IP 66	IP 67
Minimum Ambient Temperature	-50°C	-50°C
Maximum Ambient Temperature	+50°C	+50°C
SPL at 1W/1m	105dB	102dB
SPL rated power 15W version	116dB	102dB
SPL rated power 25W Version	118dB	116dB
Effective Frequency Range	380-7,000 Hz	450-6,000 Hz
Dispersion (-6dB) 1kH/4kHz	200° / 50°	105° / 335°
Directivity Factor, Q (1kHz)	1.8	1.8
Cable entry	2 x 20mm gland entry	2 x 20mm gland entry
Dimensions	207 x 170 x 144mm	207 x 170 x 144mm
Fixing	2 x M6	2 x M6
Certification options		

ATEX Type Marking	Ambient Temperature
DSP-15EExmNs(T) II 2G Ex d e mb IIB+H2/IIC T4 Gb II 2D Ex tb IIIC T127°C	-50°C ≤ Ta ≤ +40°C
DSP-15EExmNMs(T) II 2G Ex d e mb IIB+H2/IIC T4 Gb II 2D Ex tb IIIC T127°C	-50°C ≤ Ta ≤ +40°C
DSP-15EExmN(T) II 2G Ex d e mb IIB+H2/IIC T4 Gb II 2D Ex tb IIIC T105°C	-50°C ≤ Ta ≤ +50°C
DSP-15EExmNM(T) II 2G Ex d e mb IIB+H2/IIC T4 Gb II 2D Ex tb IIIC T105°C	-50°C ≤ Ta ≤ +50°C

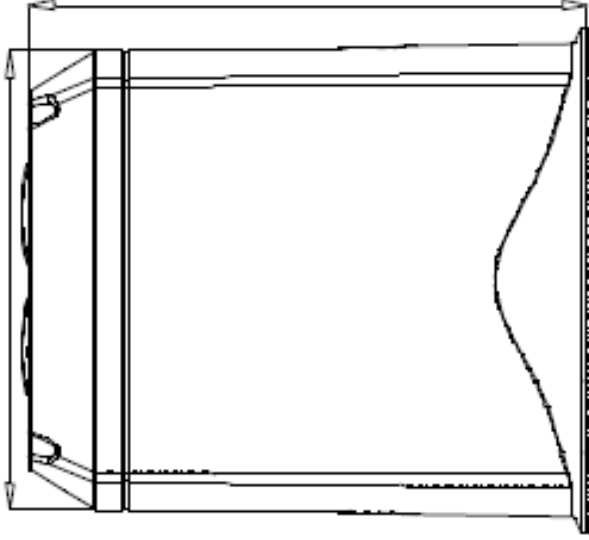
ZIZTEL LIMITED

email: [sales@ziztel.com](mailto:sales@ziztel.com) web: [www.ziztel.com](http://www.ziztel.com) tel: +44 (0) 115 9202888  
 mail: 96 Rolleston Drive, Arnold, Nottingham, NG5 7JP United Kingdom

All text, drawings and photography contained within this data sheet are the property of Ziztel Ltd and are subject to copyright. Information may neither be transmitted or copied to third parties without the express written consent of Ziztel Ltd. Ziztel Ltd have a policy of continuous product improvement and contents here in are liable to change without notice.

170mm

207mm



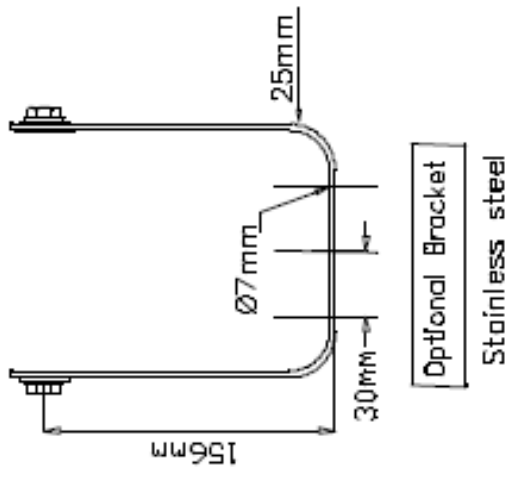
All outside nuts and screws in stainless steel

**Model:** MaxPower: **DNH 3770 Krogera Norway**  
 DSP-1 8Ex mNIT   I 2G Ex d emb BtH, T4Gb   
 DSP-1 5Ex mNIT   I 2G Ex d emb IC T4Gb   
 I 2D Ex Ib IIC T105 °C

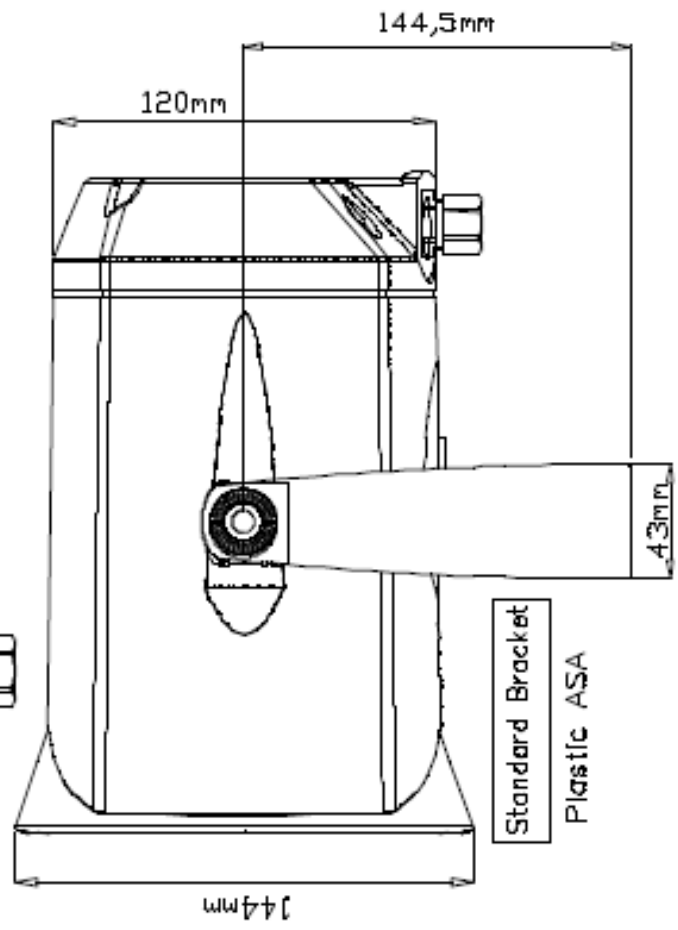
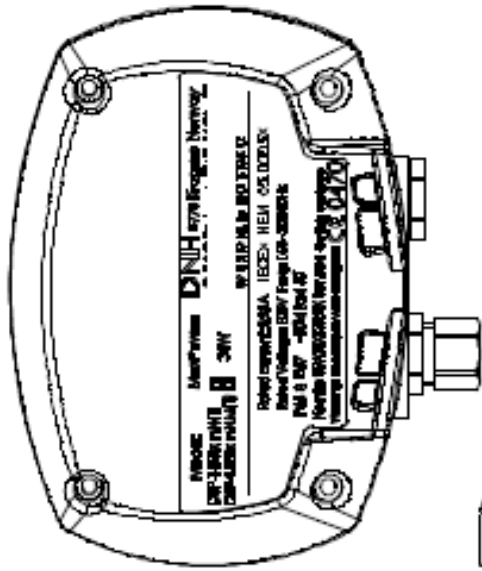
**Rated current:** 0.25 A **IECEX NEM 05.0005X**  
**Rated Voltage:** 100V **freq:** 150-20000Hz  
**P66 & P67 -50°C to +50°C**

**Numero OPAJET/1322X 961/10.: Ombra-enclosure**  
**Warning: Do not open while energized** **CE 0470**

Standard model delivered with two M20 Ex approved plastic blinding plugs



Rear view



ZIZTEL LIMITED

email: [sales@ziztel.com](mailto:sales@ziztel.com) web: [www.ziztel.com](http://www.ziztel.com) tel: +44 (0) 115 9202888  
 mail: 96 Rolleston Drive, Arnold, Nottingham, NG5 7JP United Kingdom

All text, drawings and photography contained within this data sheet are the property of Ziztel Ltd and are subject to copyright. Information may neither be transmitted or copied to third parties without the express written consent of Ziztel Ltd. Ziztel Ltd have a policy of continuous product improvement and contents here in are liable to change without notice.