

WV450X

HAZARDOUS AREA BEACON



DS-073 Issue 02

Thank you for your interest in Zitzel - we are a UK based manufacturer of PAGA and Intercom products. Our systems are mainly designed for use in the Hazardous Oil, Gas and Petrochemical industries.

Consequently our products are very robust and designed to comply with international standards.

Please do not hesitate to contact us for further information on our products we look forward to working with you on a project soon...

WV450X HAZARDOUS AREA BEACON

316 Stainless Steel Mounting Bracket Included

IP66

Corrosion Resistant GRP (Glass Reinforced Polyester)

M20 Entries Standard

Strobe Tube life of 10,000 Hours

Body Colour Natural Black as Standard

Zone rated, IECEx, ATEX, EX d IIB +H2 T3-T, EX de IIB +H2

T3-T4

The WV450X is ideally suited for explosive atmospheres and harsh environments. It is designed to serve the demanding needs of offshore marine and land based industrial applications. The housing is made of corrosion resistant components, which dramatically reduces the cost of long-term maintenance.

The WV450X utilizes all of the latest techniques in non-metallic housing construction. The body of the product is comprised of Glass Reinforced Polyester (GRP) and 316 stainless steel hardware. The use of GRP in the design improves corrosion resistance and reduces weight as compared to traditional metal housings. The GRP construction also saves time and money over the life of the product by reducing or, in

most cases, completely eliminating the need to perform regular field inspections of the flame path.

The WV series comes standard with metric entries, a 316 stainless steel dome guard and a 10,000 hour rates strobe tube. There are two versions of the WV450X available, the flameproof “d” and the increased safety “e”. The “d” version comes with a 316 stainless steel mounting brackets and two M20 entries for field cable gland connections. The “e” version has the added feature of a terminal chamber with three M20 entries. The increased safety design allows for quick field termination and pass through wiring,

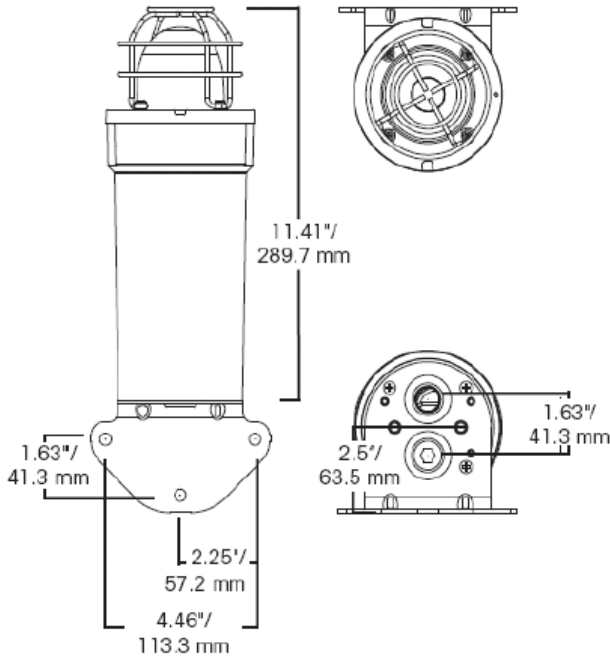
ZITTEL LIMITED

email: sales@zitzel.com web: www.zitzel.com tel: +44 (0) 115 9202888
mail: 96 Rolleston Drive, Arnold, Nottingham, NG5 7JP United Kingdom

All text, drawings and photography contained within this data sheet are the property of Zitzel Ltd and are subject to copyright. Information may neither be transmitted or copied to third parties without the express written consent of Zitzel Ltd. Zitzel Ltd have a policy of continuous product improvement and contents here in are liable to change without notice.



WV450XD



SPECIFICATIONS

	Effective Candela Peak	Average Effective Candela on HV	Peak Intensity Candela	Actual Output Joules
10 Joules	174	110	195,000	10.75
15 Joules	312	195	298,000	16.3
21 Joules	393	297	357,700	21.5
Glass Color Transmission				
Red <.81	Amber <.48	Yellow <.85	Blue <.12	Green <.52

Technical Specification

Terminals	Ex d: (DC) 4 way block (2 in, 2 out) (AC) 6 way block (3 in, 3 out) Ex de: 3 position dual pole terminal block
Cable Entries	Ex d: 2 entries – M20 x 1.5 Ex de: 3 entries – M20 x 1.5
Operating Temperatures	ATEX -55°C to +55°C (-67°F to +131°F) IECEX -20°C to 55°C (-4°F to +131°F)
Mounting	Via 316 stainless steel bracket
Exterior Dome	Toughened glass
Guard	316 stainless steel
External Fasteners	316 stainless steel
Net Weight	3.23 Kg (7.1 lbs)
Shipping Weight	3.88 Kg (8.6 lbs)
Shipping Dimensions	19 x 22 x 47 cm (7.5 x 9 x 18.5 in)
ATEX Certificate Number	DEMKO 06 ATEX 0425693X Note: Covers 10, 15 and 21 Joules
IECEX Certificate Number	IECEX UL 06.0010X Note: Covers 10 and 15 Joules
Certification Marking “d” only version	Ex d IIB + H2 T3-T4 @ -55°C ≤ Tamb ≤ 55°C
Certification Marking	Ex de IIB + H2 T3 – T4 @ -20°C ≤ Tamb ≤ 55°C
IP Rating	IP66

ZIZTEL LIMITED

email: sales@ziztel.com web: www.ziztel.com tel: +44 (0) 115 9202888
mail: 96 Rolleston Drive, Arnold, Nottingham, NG5 7JP United Kingdom

All text, drawings and photography contained within this data sheet are the property of Ziztel Ltd and are subject to copyright. Information may neither be transmitted or copied to third parties without the express written consent of Ziztel Ltd. Ziztel Ltd have a policy of continuous product improvement and contents here in are liable to change without notice.