

ZFL70-02 BEACON

DS-082 Issue 04



Thank you for your interest in Ziztel - we are a UK based manufacturer of PAGA and Intercom products. Our systems are mainly designed for use in the Hazardous Oil, Gas and Petrochemical industries.

The ZFL70-02 is a cost effective high performance flashing beacon which incorporates duplicated xenon discharge tubes. The solid state design eliminates moving parts and the electro/optic conversion provides higher efficiency than LED based units. A specially designed fresnel optic lens provides both a range of beacon colours as well as facilitating excellent light dispersion.



ZIZTEL 21 JOULE ZFL70-02 BEACON

Rotproof construction

Range of lens colour cap options

Weather proof/environmentally rated

Light weight

No moving parts

Duplicated xenon tubes

The Ziztel ZFL70-02 is a rugged industrial electronic flashing beacon which employs a xenon tube light source to produce brilliant pulses of visible light.

The unit is specified for safety applications where acoustic alarms are ineffective due to high ambient noise and provides effective high performance visual warning annunciation.

The ZFL70-02 is available in a range of colour lenses which are carefully designed to enhance available flash energy and therefore overall flashing beacon visibility.

The ZFL70-02 utilises a totally rot proof construction which minimises routine service and ensures low through life maintenance cycles. The ZFL70-02 is specified for use on PAGA applications (Public Address and Alarm System) and is designed for reliable service on both land based and marine/offshore installations.

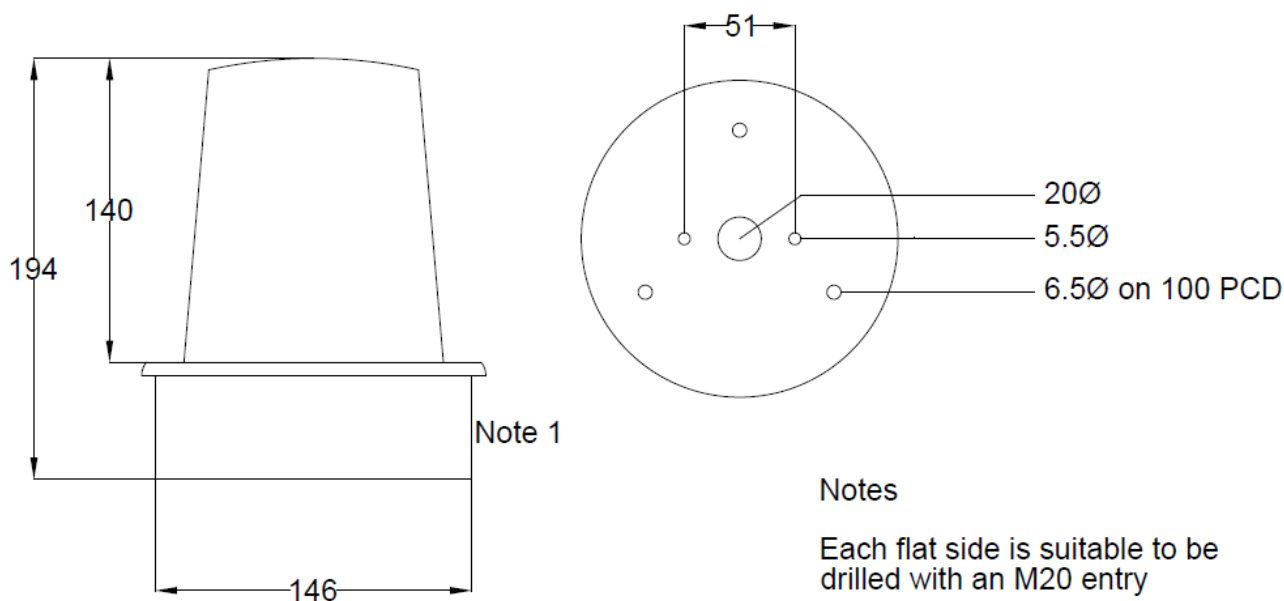
The xenon tube light source eliminates moving parts and is capable of delivering in excess of one million light pulses before on set of tube deterioration.

ZFL70-02 is fitted with duplicated xenon discharge tubes to provide increased security in mission critical applications.

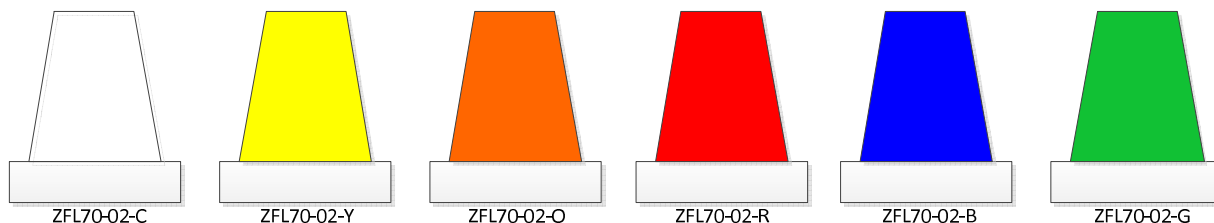
ZIZTEL LIMITED

email: sales@ziztel.com web: www.ziztel.com tel: +44 (0) 115 9202888
mail: 96 Rolleston Drive, Arnold, Nottingham, NG5 7JP United Kingdom

All text, drawings and photography contained within this data sheet are the property of Ziztel Ltd and are subject to copyright. Information may neither be transmitted or copied to third parties without the express written consent of Ziztel Ltd. Ziztel Ltd have a policy of continuous product improvement and contents here in are liable to change without notice.



Technical Specification	
Light Source	Dual xenon discharge tube
Supply Voltage	110/120Vac or 220/240Vac 50/60Hz - Voltage to be specified with PO.
Tolerance	+10% / -15%
Consumption	160mA
Flash rate	0.5Hz, 0.75Hz, 1Hz or 1.5Hz selectable
Duty cycle	Continuous
Flash energy	21 Joules
Temperature Range	-20 °C - +50 °C
IP Rating	IP65
Weight	2Kg
Dimensions	194mm x 146mm
Enclosure material	Rotproof plastics
Colour	White
Lens	Red, Yellow, Green, Blue, Clear, Amber
Gland Entry	Uncut (up to M20)



ZIZTEL LIMITED

email: sales@ziztel.com web: www.ziztel.com tel: +44 (0) 115 9202888
mail: 96 Rolleston Drive, Arnold, Nottingham, NG5 7JP United Kingdom

All text, drawings and photography contained within this data sheet are the property of Ziztel Ltd and are subject to copyright. Information may neither be transmitted or copied to third parties without the express written consent of Ziztel Ltd. Ziztel Ltd have a policy of continuous product improvement and contents here in are liable to change without notice.