

ZADS-ZLSM-RSC5T

SAFE AREA ADDRESSABLE CEILING LOUDSPEAKER

DS-112 Issue 03



Thank you for your interest in Zitzel - we are a UK based manufacturer of PAGA and Intercom products. Our systems are mainly designed for use in Military, Marine and the Hazardous Oil / Gas Petrochemical industries. Our products are very robust and designed to comply with international standards. The ZADS system described in this data sheet enables the user to monitor individual loudspeaker devices including voice coils as well as allow convenient alteration of speaker sound pressure level.

ZITTEL ZADS-ZLSM- RSC5T

Automatic loudspeaker supervision -
Eliminates costly routine speaker patrols

Enhances safety – Major
improvement in system security

Flexible loudspeaker interfacing – Can be
used with a range of loudspeaker types

The Zitzel ZADS-ZLSM-RSC5T is an industrial safe area addressable loudspeaker which eliminates the routine patrol checks necessary on a high security PAGA broadcast system. The unit comprises of a high performance ceiling mount loudspeaker driver housing a microprocessor based supervisory subsystem which communicates with the host central equipment over the standard loudspeaker field cable conductors; no additional cable/cores are required to operate ZADS.

The inclusion of Zitzel ZADS technology enables checking of the entire critical path from central panel to individual loudspeaker voice coil and is specified for mission sensitive life safety PAGA broadcast systems. Each ZADS-ZLSM-RSC5T loudspeaker incorporates a microprocessor subsystem which not only provides ultimate dynamic speaker checking at voice frequencies but also allows remote speaker volume tapping and recovery of acoustic data from each loudspeaker location.

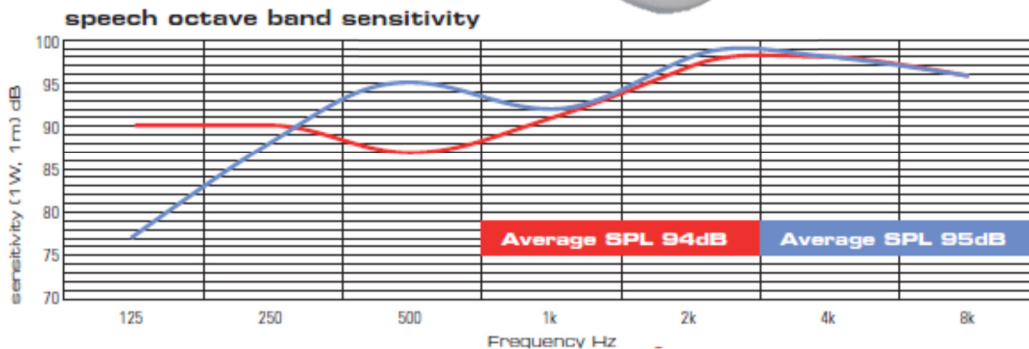


ZITTEL LIMITED

email: sales@zitzel.com web: www.zitzel.com tel: +44 (0) 115 9202888
mail: 96 Rolleston Drive, Arnold, Nottingham, NG5 7JP United Kingdom

All text, drawings and photography contained within this data sheet are the property of Zitzel Ltd and are subject to copyright. Information may neither be transmitted or copied to third parties without the express written consent of Zitzel Ltd. Zitzel Ltd have a policy of continuous product improvement and contents here in are liable to change without notice.

The ZADS-ZLSM-RSC5T unit operates in conjunction with Zitel ZMIS GUI core which remotely displays individual speaker outstation status providing an early warning of system deterioration and enabling convenient selection of power tap volume output. The unit requires no local power supply, with both data communications and phantom power supply derived over the established loudspeaker field cable without requirement for additional cable cores. Testing is executed 'in band' ensuring reliable results and elimination of "ghost" fault reports common with legacy systems. Up to fifty ZADS-ZLSM enabled loudspeakers can be connected to a single ZEST 350A or SR2000 amplifier 70V/100V speaker line enabling comprehensive loudspeaker subsystem verification in seconds. Multiple terminals are provided to allow field cable 'loop-through' eliminating local loudspeaker junction boxes. The ceiling loudspeaker driver has been carefully designed to satisfy the most critical eye, units are stylish yet unobtrusive and are supplied with a rugged fire dome rear enclosure. The unit is manufactured with a white epoxy-coated pressed steel chassis incorporating a twin cone driver, which has a wider frequency range than the standard single cone loudspeakers generally available, ensuring high speech intelligibility.

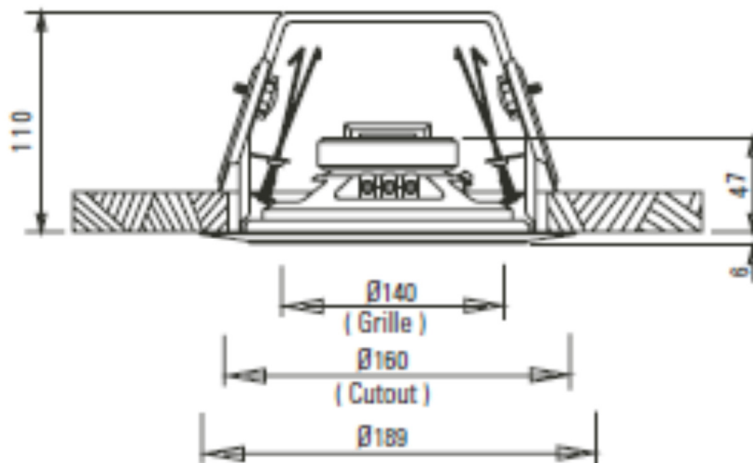


ZITEL LIMITED

email: sales@zitel.com web: www.zitel.com tel: +44 (0) 115 9202888
 mail: 96 Rolleston Drive, Arnold, Nottingham, NG5 7JP United Kingdom

All text, drawings and photography contained within this data sheet are the property of Zitel Ltd and are subject to copyright. Information may neither be transmitted or copied to third parties without the express written consent of Zitel Ltd. Zitel Ltd have a policy of continuous product improvement and contents here in are liable to change without notice.

Dimensions



Technical Specification	
Rated Power	6 Watts
Tappings 100 Volt Line (70 Volt line to order)	6/3/1.5/0.75/0.25 Watts
Transformer Impedance, Ohms,	1.67k/3.33k/6.66k/13.3k/39.9k
Driver impedance,	8Ω
Effective frequency range,	150Hz – 18kHz
S.P.L @ 1m, 1 Watt, dB	95dBA
S.P.L @ Full power Octave Bandwidth	102dBA
Acoustic Power (dB-PWL@1 Watt) 1k / 2kHz	91/92dBA
Dispersion at 1k / 2k Hz	180°/180°
Directivity Axial Q factor, 1k/2kHz	2.3/4.6
Dimensions, diameter	189mmØ
Colour / finish	White RAL9016
Material	Steel
Mounting	Torsion springs
Cut-out mm	160mmØ
Amplifier Line voltage	Compatible with 100V line loudspeaker distribution networks
Maximum number of ZADS stations	50x ZADS enabled devices per loudspeaker line
Power Consumption	1 Watt maximum
Test Frequency	1kHz in-band voice
Maximum cable conductor size	1.5mm ² - 2.5mm ² CSA with loop-through capability
Tapping assignment	0.25/0.75/1.5/3/6 Watts
Dimensions	189mm x 189mm x 110mm
Weight	1.5kg
Ambient temperature range	-20°C to +70°C
Application	Industrial
Location	Internal safe area

ZIZTEL LIMITED

email: sales@ziztel.com web: www.ziztel.com tel: +44 (0) 115 9202888
 mail: 96 Rolleston Drive, Arnold, Nottingham, NG5 7JP United Kingdom

All text, drawings and photography contained within this data sheet are the property of Ziztel Ltd and are subject to copyright. Information may neither be transmitted or copied to third parties without the express written consent of Ziztel Ltd. Ziztel Ltd have a policy of continuous product improvement and contents here in are liable to change without notice.