

SS-01

EXPLOSION PROOF “STAY PUT” SELECTOR SWITCH

DS-153 Issue 02



ZIZTEL SS-01 SELECTOR SWITCH

ATEX Certified for Zone 1 Hazardous area certified – Safe for use in potentially explosive atmospheres

Rotproof construction – External and internal service

Large actuator surface – Easily operated by gloved hand

Thank you for your interest in Ziztel - we are a UK based manufacturer of Military, Marine MBS/ PAGA and Intercom products. Our systems are mainly designed for use in the Hazardous Oil, Gas and Petrochemical industries.

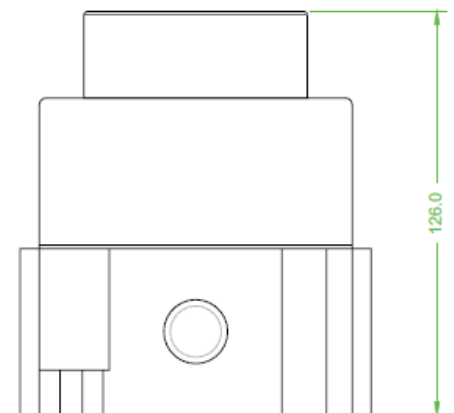
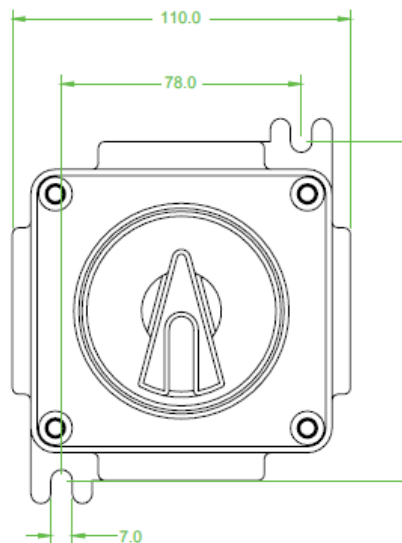
The SS-01 is an explosion proof ‘stay-put’ selector switch specifically designed for service in a harsh environment.

Please do not hesitate to contact us for further information on our products we look forward to working with you on a project soon...

The SS-01 is a three position explosion proof latching switch which can be used as either:

- A subscriber selection element in an MT50 talkback system.
- A local subscriber stepped volume control when used in conjunction with a 70V/100V line loudspeaker with integral transformer.

The unit is Zone 1 certified for use in Hazardous area and features an M20 cable gland entry.



ZIZTEL LIMITED

email: sales@ziztel.com web: www.ziztel.com tel: +44 (0) 115 9202888
mail: 96 Rolleston Drive, Arnold, Nottingham, NG5 7JP United Kingdom

All text, drawings and photography contained within this data sheet are the property of Ziztel Ltd and are subject to copyright. Information may neither be transmitted or copied to third parties without the express written consent of Ziztel Ltd. Ziztel Ltd have a policy of continuous product improvement and contents here in are liable to change without notice.

Hazardous Area Specification	
Area Classification	1, 21, 2, 22
Type of Protection	Ex de IIC T6 Gb
Temperature Info	T6 -40 °C to +50 °C
Ingress Protection	IP64 to EN60529; 1992
Enclosure specification	
Enclosure Specification	
Dimensions	110mm x 110mm x 125mm
Material	Carbon loaded anti-static glass reinforced polyester UL94/Vo
Finish	Moulded black
Weight	1.2Kg
Cover Fixing	M6 Stainless Steel hexagon head screws
Gasket	1.2mm one piece solid nitrile rubber
Earth	Internal Ex e brass clamps on base
Entries	1x20mm threaded hole in face A, fitted with a nylon Ex e stopping plug, 1x20mm threaded hole in face B, fitted with a nylon Ex e cable gland, 25mm entries are available as an option
Mounting	Through 7mm holes moulded into base
Security	Switch has a latching function

ZIZTEL LIMITED

email: sales@ziztel.com web: www.ziztel.com tel: +44 (0) 115 9202888
mail: 96 Rolleston Drive, Arnold, Nottingham, NG5 7JP United Kingdom

All text, drawings and photography contained within this data sheet are the property of Ziztel Ltd and are subject to copyright. Information may neither be transmitted or copied to third parties without the express written consent of Ziztel Ltd. Ziztel Ltd have a policy of continuous product improvement and contents here in are liable to change without notice.