

# PH25T

## HORN LOUDSPEAKER

DS-161 Issue 02



Thank you for your interest in Ziztel - we are a UK based manufacturer of PAGA and Intercom products. Our systems are mainly designed for use in the Hazardous Oil, Gas and Petrochemical industries.

The PH25T Industrial safe area weatherproof loudspeaker is designed for PAGA broadcast capability, fitted with integral transformer and pressure unit. Corrosion proof enclosure ensures long trouble free service life.

### ZIZTEL PH25T HORN LOUDSPEAKER

---

*Lightweight - simple installation*

*High quality sound- provides intelligible speech output*

*ABS moulded compound with ultra violet light protection – suitable for external service*

*Non corrosive, resistant to salt laden air – long trouble free ‘through life’ service offshore*

---

The PH25T is a lightweight plastic weatherproof re-entrant horn designed for high quality sound reinforcement public address applications. The unit is manufactured in strengthened ABS molded compound incorporating UVL (ultra violet light) protection. All fittings are stainless steel including the epoxy coated U support bracket which allows pole / bulk head fixing and horn orientation. The PH25T is designed to deliver clarity of speech *and* high efficiency, and is suitable for both voice communications and / or alarm tone signal warnings. The unit is corrosion resistant, can operate in heavily laden saline air and is suitable for use both on and offshore in external areas. In addition the PH25T is ideal for marine / industrial applications – for example Steel works, Aggregates / materials handling, Power plants, Shipping, service and reliability in less hostile environments is therefore readily accepted.



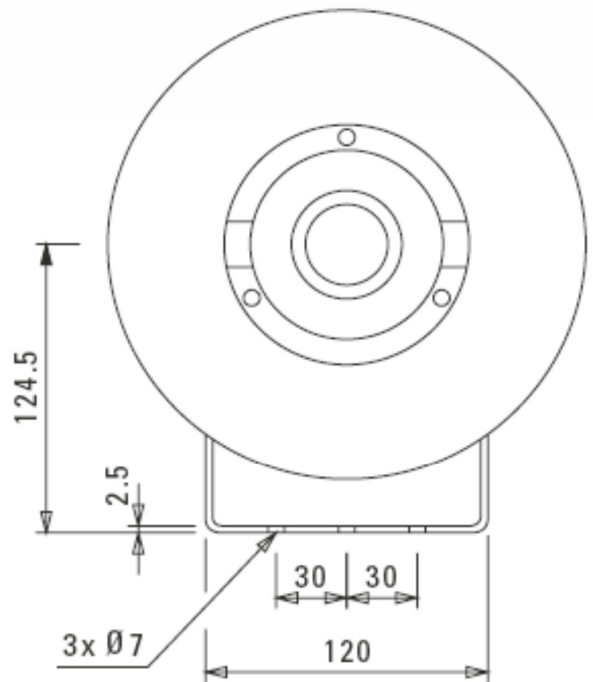
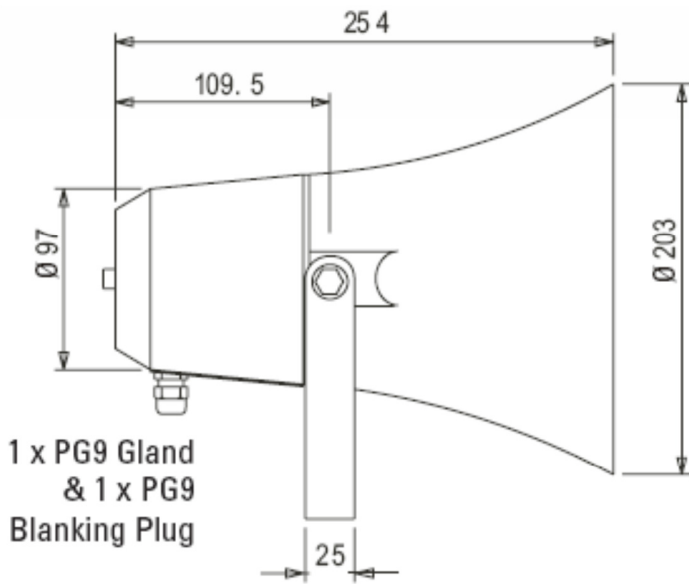
---

#### ZIZTEL LIMITED

email: [sales@ziztel.com](mailto:sales@ziztel.com) web: [www.ziztel.com](http://www.ziztel.com) tel: +44 (0) 115 9202888  
mail: 96 Rolleston Drive, Arnold, Nottingham, NG5 7JP United Kingdom

All text, drawings and photography contained within this data sheet are the property of Ziztel Ltd and are subject to copyright. Information may neither be transmitted or copied to third parties without the express written consent of Ziztel Ltd. Ziztel Ltd have a policy of continuous product improvement and contents here in are liable to change without notice.

Technical Specification	
Rated Power Watts	25 Watts
Tappings 100 volt line, Watts (A Variant)	25/10/4/2.5 W
Transformer Impedance, Ohms, 100V	400/1K/2K/4K
Tappings 70.7 volt line, Watts (B Variant)	10/5/2/1.25
Driver impedance, Ohms	20
Effective frequency range, Hz (BSEN60268-5)	250-8,000
S.P.L. at 1m, 1 Watt, dBA	105 dBA
S.P.L. at Full Rated Power, dBA	120 dBA
Cable gland entry	PG9 dual entry
Dispersion at 1k/2kHz, Degrees	130/70
Directivity Axial Q factor, 1k/2kHz	4.9/13.6
Net weight, Kgs	1.7
Colour/finish	Grey Ral 7035
Material	ABS Plastic housing with UV inhibitors
Mounting	Stainless steel U bracket
Temperature range	-20 C to +70C
Location	Safe area internal / external
Rating	IP66



ZIZTEL LIMITED

email: [sales@ziztel.com](mailto:sales@ziztel.com) web: [www.ziztel.com](http://www.ziztel.com) tel: +44 (0) 115 9202888  
mail: 96 Rolleston Drive, Arnold, Nottingham, NG5 7JP United Kingdom

All text, drawings and photography contained within this data sheet are the property of Ziztel Ltd and are subject to copyright. Information may neither be transmitted or copied to third parties without the express written consent of Ziztel Ltd. Ziztel Ltd have a policy of continuous product improvement and contents here in are liable to change without notice.