

RPH-50N

25 WATT WEATHER-PROOF RE-ENTRANT HORN PAWS LOUDSPEAKER

C15486-DS-215 Issue 01



Thank you for your interest in Ziztel - we are a UK based manufacturer of PAGA and Intercom products. Our systems are mainly designed for use in the Military, Marine and Hazardous Oil, Gas / Petrochemical industries.

The RPH-50N is an industrial horn loaded loudspeaker designed for general purpose speech and alarm broadcast service.

The unit comprises of a high performance pressure unit, integral line transformer with with a 6 metre cable tail to allow connection to the PAWS industrial amplifier.

ZIZTEL RPH-50N 25 WATT WEATHER-PROOF RE-ENTRANT HORN PAWS LOUDSPEAKER

All plastic construction – corrosion resistant

Integral transformer – range of power settings 6 Watts to 25 Watts

High sensitivity-efficient broadcast of voice frequencies

Ideal for speech broadcasting

The RPH-50N is a safe area public address paging horn designed for 100V line operation. The unit is equipped with integral line coupling transformer enabling power settings from 6 Watts to 25 Watts.

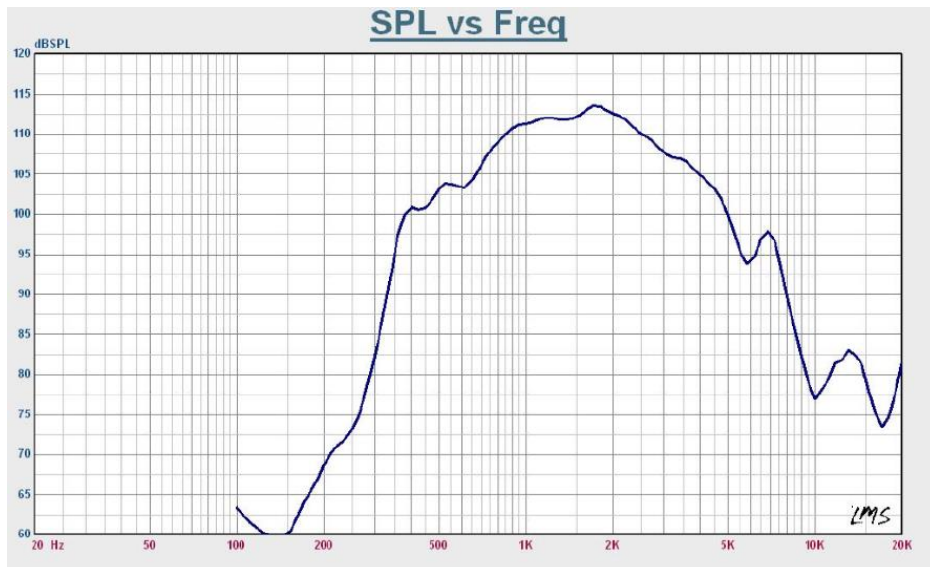
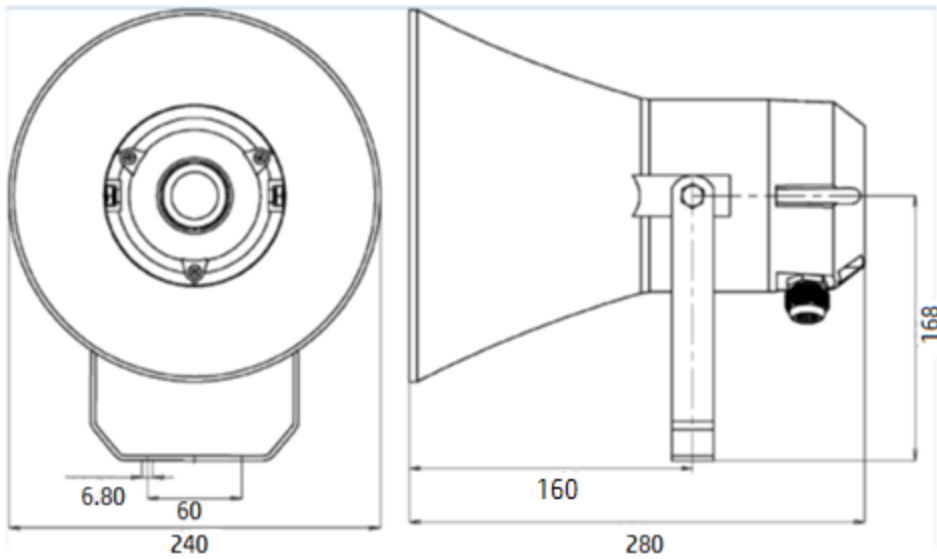
The RPH-50N is based on a folded re-entrant horn which achieves high efficiency and also protects the integral loudspeaker pressure unit from the elements when the assembly is located outdoors. A 6m 1 Quad (4 core) cable tail allows termination to the main 100 Volt line highway and a U bracket allows the flare to be directed to the target paging area. The enclosure is manufactured from rot proof plastic and is self-coloured black thereby eliminating the costly routine maintenance otherwise required for metallic units.



ZIZTEL LIMITED

email: sales@ziztel.com web: www.ziztel.com tel: +44 (0) 115 9202888
mail: 96 Rolleston Drive, Arnold, Nottingham, NG5 7JP United Kingdom

All text, drawings and photography contained within this data sheet are the property of Ziztel Ltd and are subject to copyright. Information may neither be transmitted or copied to third parties without the express written consent of Ziztel Ltd. Ziztel Ltd have a policy of continuous product improvement and contents here in are liable to change without notice.



Technical Specification	
Colour	Black
Mounting	U-Bracket, Azimuth adjustment
Input Voltage	100V
Ingress Protection	IP65
Rated/Maximum Power	25W
Power Tappings	25 Watt, 12.5 Watt, 6 Watt
Termination	6m cable tail, 1Q 0.75mm ² , GSWA overall screened
Location	Safe Area non-hazardous
Response Frequency	500 +/- 15% at 25 °C
Frequency Range	350Hz to 6kHz
Sound Pressure Level	114 +/- 3dBA at 1W per metre at 1.5kHz
Rated Power	25W
Total Harmonic Distortion	5% Maximum at 1kHz 1W Power
Weight	1.8kg +/- 10%
Material	UV stabilised horn with stainless steel bracket
Temperature Range	-20 °C to +40 °C
Cable Gland	CMP 20E1FX1RA5

ZIZTEL LIMITED

email: sales@ziztel.com web: www.ziztel.com tel: +44 (0) 115 9202888
 mail: 96 Rolleston Drive, Arnold, Nottingham, NG5 7JP United Kingdom

All text, drawings and photography contained within this data sheet are the property of Ziztel Ltd and are subject to copyright. Information may neither be transmitted or copied to third parties without the express written consent of Ziztel Ltd. Ziztel Ltd have a policy of continuous product improvement and contents here in are liable to change without notice.