

KEX-1

HAZARDOUS AREA TELEPHONE



DS-235 Issue 01

Thank you for your interest in Ziztel - we are a UK based manufacturer of PAGA and Intercom products. Our systems are mainly designed for use in the Hazardous Oil, Gas and Petrochemical industries.

The KEX-1 is an explosion-proof handset designed to provide reliable communications in a potentially explosive atmosphere.

Please do not hesitate to contact us for further information on our products we look forward to working with you on a project soon...

KEX-1 HAZARDOUS AREA TELEPHONE

Safe for use in zone potentially explosive areas

Designed for aggressive operating condition

Full duplex handset communications

The KEX 1 explosion proof telephone is designed to provide reliable, efficient two way voice communications in a hazardous area. The unit is designed for aggressive environments including Zone 1, 21 Zone 2, 22 potentially hazardous areas and is IP66 rated. Certification is II 2 G Ex [ib] IIB T5 Gb.

The housing is corrosion resistant GRP (glass re-enforced polyester) and all metal parts are V4A stainless steel. The unit is fitted with a vandal proof steel armored handset cord.

The telephone can be supplied with or without keypad and operates with standard PBX 2 wire analog connection ports.



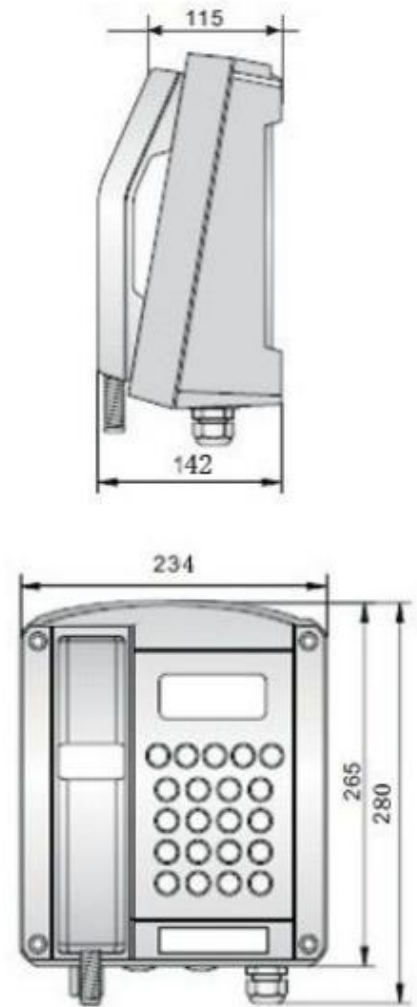
ZIZTEL LIMITED

email: sales@ziztel.com web: www.ziztel.com tel: +44 (0) 115 9202888
mail: 96 Rolleston Drive, Arnold, Nottingham, NG5 7JP United Kingdom

All text, drawings and photography contained within this data sheet are the property of Ziztel Ltd and are subject to copyright. Information may neither be transmitted or copied to third parties without the express written consent of Ziztel Ltd. Ziztel Ltd have a policy of continuous product improvement and contents here in are liable to change without notice.

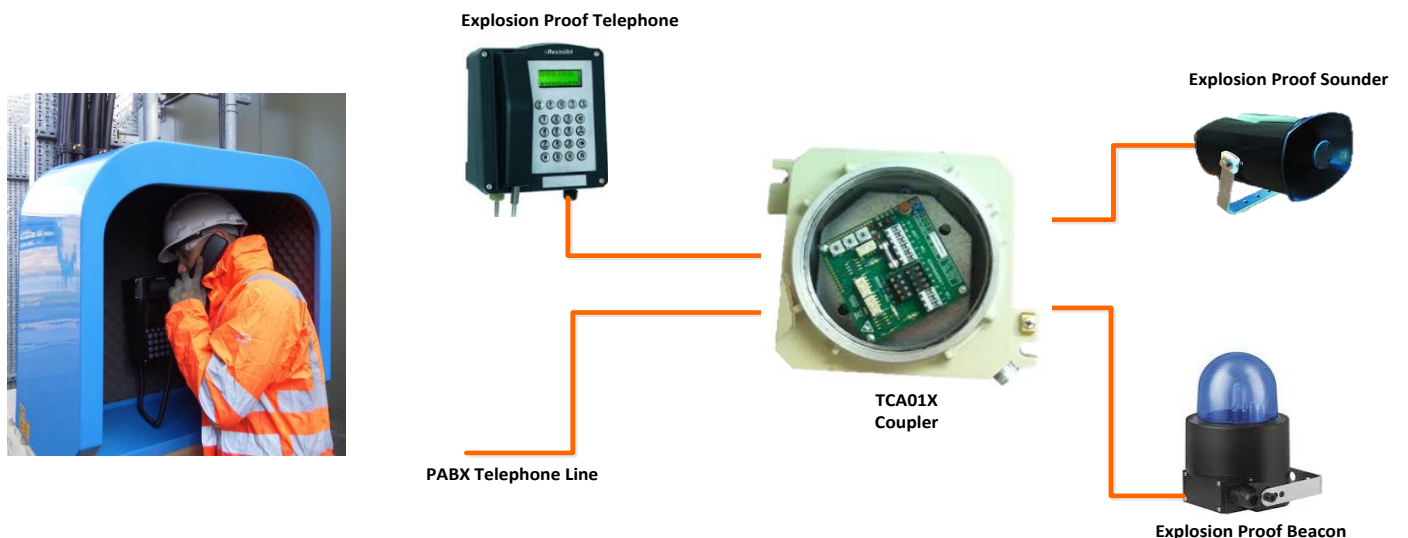
Specification

Unit dimension	227 x 293 x 135mm
Unit Weight	5.8kg
LCD Display:	2 line alphanumeric display ICON or number or letter Up to 4 level back light selectable
Keypad	stainless steel flash mount Waterproof IP66. Ice protection 21 keys with number and ACE letter for program
Handset:	dynamic receiver with inductive coupling for hearing aids Electret type microphone with noise cancelling Stainless steel armoured handset hold over 170kg
Waterproof protection	IP66
Impact protection:	IK09
Call Flash transfer:	max:120ms
Dialling procedure:	DTMF
External function:	external louder speaker additional earpiece headset ringl sounder
operation temperature:	-25°C to 60°C
Storage temperature:	-30°C to +70°C



For high noise locations the telephone can be located in a Ziztel AH series acoustic hood, where required external visual alarm and acoustic signaling units are available to supplement the KEX-1 integral sounder.

Images show AH23 -60079 Ex static proof hood fitted with visual alert – TCA-01X-Ex can be specified to provide complete visual / acoustic control.



ZIZTEL LIMITED

email: sales@ziztel.com web: www.ziztel.com tel: +44 (0) 115 9202888
mail: 96 Rolleston Drive, Arnold, Nottingham, NG5 7JP United Kingdom

All text, drawings and photography contained within this data sheet are the property of Ziztel Ltd and are subject to copyright. Information may neither be transmitted or copied to third parties without the express written consent of Ziztel Ltd. Ziztel Ltd have a policy of continuous product improvement and contents here in are liable to change without notice.