

ZIZTEL DST100

'PROJECTOR' HORN LOUDSPEAKER



DS-239 Issue 01

Thank you for your interest in Ziztel - we are a UK based manufacturer of PAGA and Intercom products. Our systems are mainly designed for use in the Hazardous Oil, Gas and Petrochemical industries.

Consequently our products are very robust and designed to comply with international standards.

Please do not hesitate to contact us for further information on our products we look forward to working with you on a project soon...

ZIZTEL DST100 HORN LOUDSPEAKER

*High power weatherproof projector
horn loudspeaker – Extended coverage*

Very high power – Suitable for Mass Evacuation service

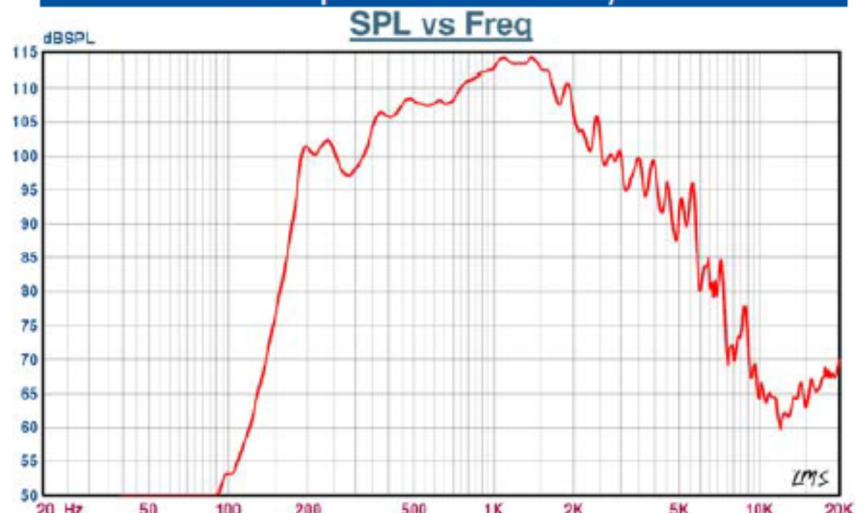
*IP Rating IP67 – Trouble-free life in
industrial/marine aggressive climatic conditions*

The DST100 projector horn is designed to give extended broadcast coverage at high sound pressure levels over large areas typically for mass evacuation or for 'long throw' dispersion in loud hailer applications.

The unit comprises of a rot/ultra-violet light resistant horn flare coupled to a high performance pressure unit which accepts drive from 100Volt line reticulation [low impedance to order]. The flare is coupling is by standard UNEF 1 3/8–18 threaded bush. An integral U-bracket allows installation and alignment of the flare to the target broadcast area



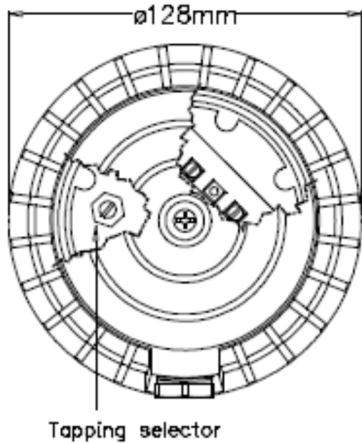
Sound pressure levels at 1W/1m



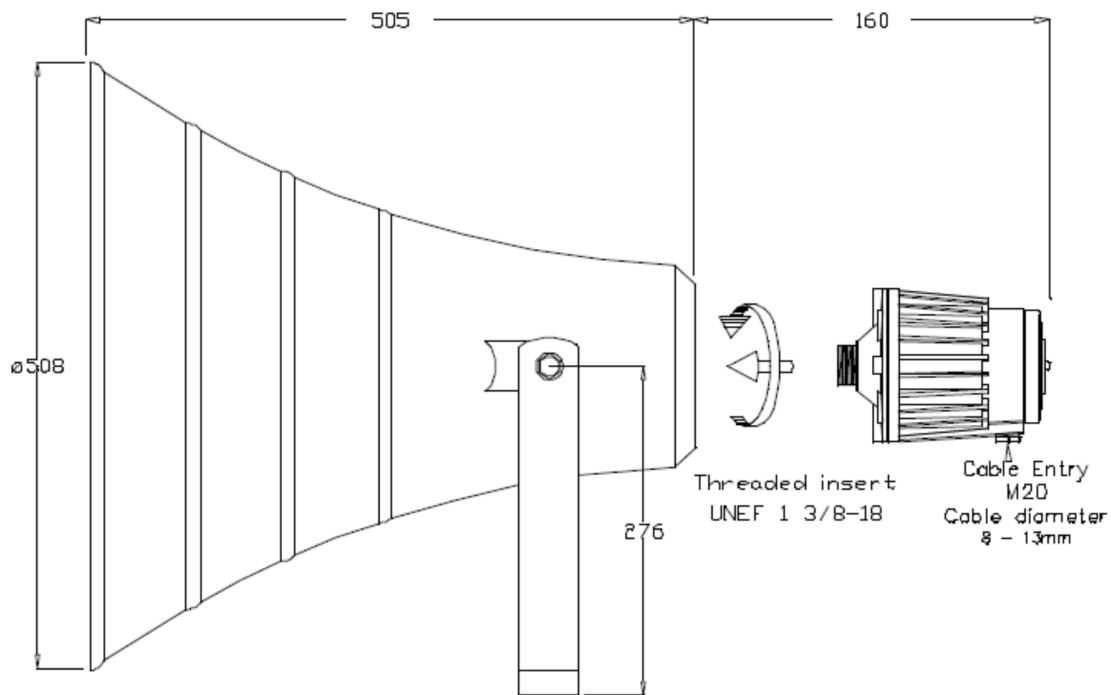
ZIZTEL LIMITED

email: sales@ziztel.com web: www.ziztel.com tel: +44 (0) 115 9202888
mail: 96 Rolleston Drive, Arnold, Nottingham, NG5 7JP United Kingdom

All text, drawings and photography contained within this data sheet are the property of Ziztel Ltd and are subject to copyright. Information may neither be transmitted or copied to third parties without the express written consent of Ziztel Ltd. Ziztel Ltd have a policy of continuous product improvement and contents here in are liable to change without notice.



100 Volt line Secondary switch tapings	
1/1	100 W
1/2	60 W
1/4	30 W
1/8	15 W
1/16	7,5 W



Technical Specification

Material / Colour	Polyester/corrosion resistant aluminium alloy / RAL 7035
Mounting	Bracket, threaded UNE F 1 3/8-18
Termination	Internal screw terminals
Weight	7.7kg
IP Rating	IP67
Max. / min. amb. Temp	150°C/-50°C
Rated / Max. power	100W / 100W
SPL 1W / 1m	112dB
SPL Rated Power	132dB
Effective freq. range	200Hz - 5kHz
Dispersion (-6dB) 1kHz / 4kHz	50° / 20°
Location	Safe area/Industrial/Marine
Options	100Volt line as standard (70Volt line and/or 8Ω optional)

ZIZTEL LIMITED

email: sales@ziztel.com web: www.ziztel.com tel: +44 (0) 115 9202888
mail: 96 Rolleston Drive, Arnold, Nottingham, NG5 7JP United Kingdom

All text, drawings and photography contained within this data sheet are the property of Ziztel Ltd and are subject to copyright. Information may neither be transmitted or copied to third parties without the express written consent of Ziztel Ltd. Ziztel Ltd have a policy of continuous product improvement and contents here in are liable to change without notice.