

ZIZTEL DHPDST40EX

ATEX 'PROJECTOR' HORN LOUDSPEAKER



DS-240 Issue 01

Thank you for your interest in Ziztel - we are a UK based manufacturer of PAGA and Intercom products. Our systems are mainly designed for use in the Hazardous Oil, Gas and Petrochemical industries.

Our products are very robust and designed to comply with international standards.

Please do not hesitate to contact us for further information on our products we look forward to working with you on a project soon...

ZIZTEL DHPDST40EX HORN LOUDSPEAKER

High power explosion proof projector horn

Loudspeaker – extended coverage in Zone 1 / 2 areas

Very high power – suitable for Mass Evacuation service

IP Rating IP67 – trouble free life in industrial / marine aggressive climatic conditions

The DHPDST40EX projector horn is designed to deliver extended broadcast coverage at high sound pressure levels over large areas typically for mass evacuation or for 'long throw' dispersion in loud hailer applications.

The unit comprises of a rot / ultra violet light resistant horn flare coupled to a high performance pressure unit which accepts drive from 100 Volt line reticulation [low impedance to order]. The flare is coupling is by standard UNEF 1 3/8 – 18 threaded bush. An integral U bracket allows installation and alignment of the flare to the target

broadcast area. The DHPDST40EX horn can be delivered in a line source configuration to allow broadcasts to be targeted into a particular area. A quadrant configuration provides 360 degree coverage allowing Mass Evacuation alarms and speech to address large areas of a site eliminating the requirement for costly installation of distributed loudspeakers.

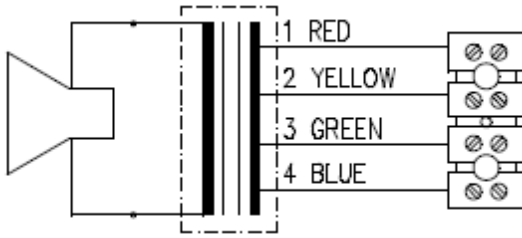
The unit can be driven by Ziztel DAS-03 hailer public address amplifier or from centralised ZEST PAGA rack mounted 350A CLASS G amplification for

mission critical life safety applications.



ZIZTEL LIMITED

email: sales@ziztel.com web: www.ziztel.com tel: +44 (0) 115 9202888
mail: 96 Rolleston Drive, Arnold, Nottingham, NG5 7JP United Kingdom



100 V transformer Secondary nominal tapings	
1 : 2	40 W
1 : 3	20 W
1 : 4	10 W

Sound pressure levels at 1W/1m

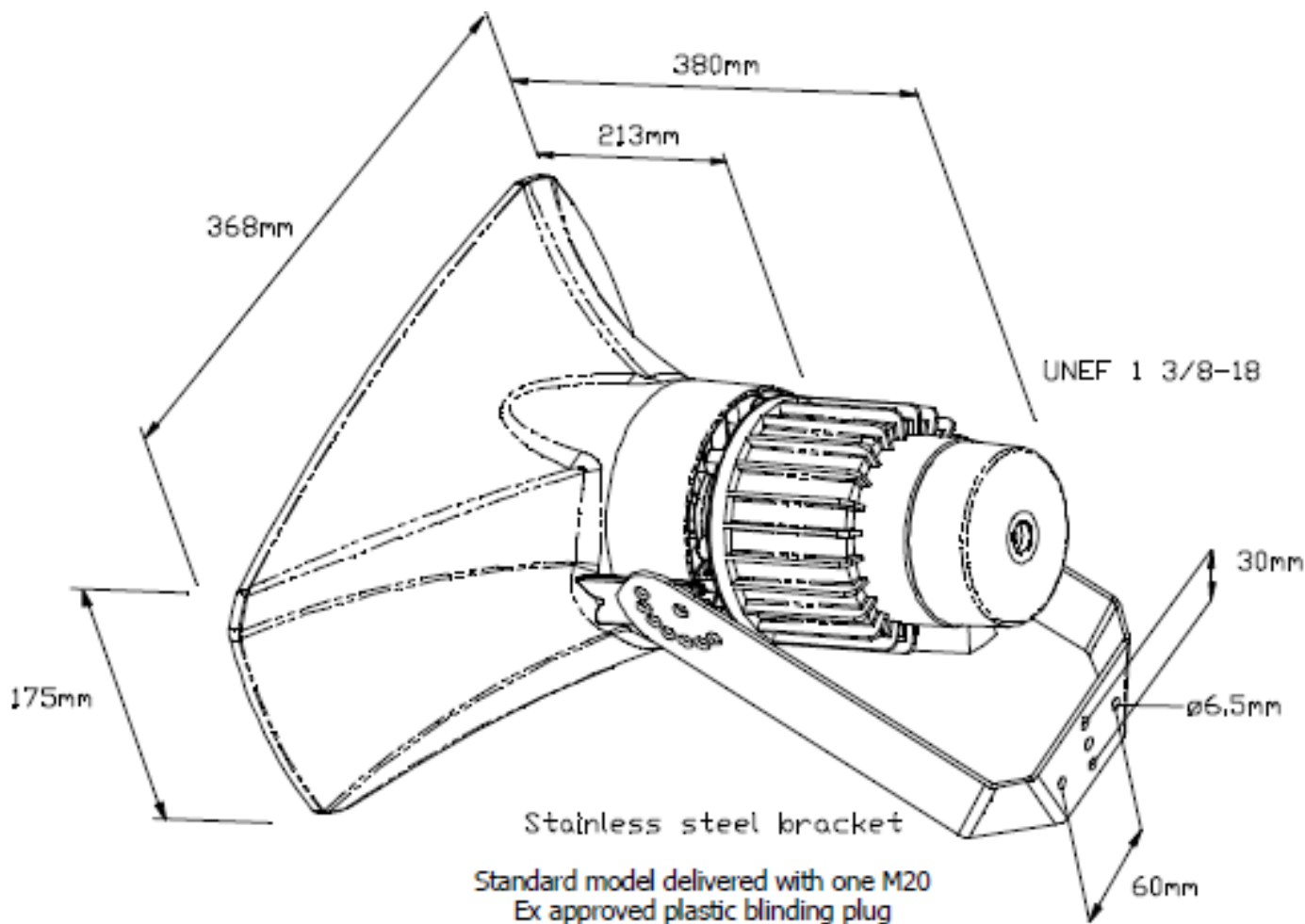
SPL vs Freq



ZIZTEL LIMITED

email: sales@ziztel.com web: www.ziztel.com tel: +44 (0) 115 9202888
mail: 96 Rolleston Drive, Arnold, Nottingham, NG5 7JP United Kingdom

All text, drawings and photography contained within this data sheet are the property of Ziztel Ltd and are subject to copyright. Information may neither be transmitted or copied to third parties without the express written consent of Ziztel Ltd. Ziztel Ltd have a policy of continuous product improvement and contents here in are liable to change without notice.



Technical Specification

Material / Colour	Polyester / corrosion resistant Aluminium Alloy / Black
Mounting	Bracket / Threaded UNE F 1 3/8 - 18
Termination	Internal Screw Terminals
Weight	4.0 Kg
IP Rating	67
Max. / min. amb. Temp	55°C / -50°C
Rated / Max. power	40 W / 40 W
SPL 1W / 1m	109 dB
SPL Rated Power	123 dB
Effective freq. range	330 - 6000 Hz
Dispersion (-6dB) 1kHz / 4kHz	98° / 25°
Location	Zone 1 and 2 IIB+H2 T4 / Industrial / Marine
Options	100 Volt line standard / 70 Volt line or 8 Ohm option

ZIZTEL LIMITED

email: sales@ziztel.com web: www.ziztel.com tel: +44 (0) 115 9202888
mail: 96 Rolleston Drive, Arnold, Nottingham, NG5 7JP United Kingdom

All text, drawings and photography contained within this data sheet are the property of Ziztel Ltd and are subject to copyright. Information may neither be transmitted or copied to third parties without the express written consent of Ziztel Ltd. Ziztel Ltd have a policy of continuous product improvement and contents here in are liable to change without notice.