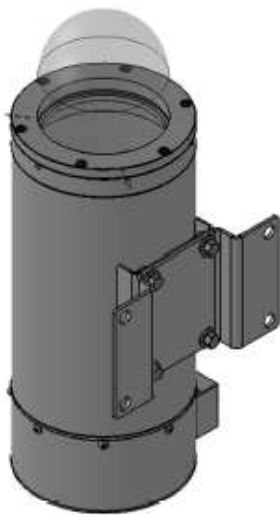


Thank you for your interest in Ziztel - we are a UK based manufacturer of PAGA and Intercom products. Our systems are mainly designed for use in the Hazardous Oil, Gas and Petrochemical industries.

The ZAB1-M4 is a high performance ATEX IECEx certified flashing beacon which incorporates a microprocessor controlled light sources. The solid state design eliminates moving parts and the electro/optic conversion provides high efficiency. The unit incorporates four different colour light sources which can each be independently addressed enabling a complete self-contained signaling system.



ZIZTEL ZAB1-M4 FLASHING MULTI- BEACON

Rot proof all stainless steel construction – long through life, minimal maintenance

Optional colour selection over 1 x pair cable – major cost saving over conventional multi core based systems

No moving parts - microprocessor controlled

*Multiple light sources – LED cluster signalling column
Zone 1 certified - safe for use in hazardous areas*

The Ziztel ZAB1-M4 is a rugged explosion proof IECEx and ATEX certified electronic flashing beacon which employs leading edge LED technology light sources to selectively produce brilliant pulses of visible coloured light.

The unit is specified for safety applications where acoustic alarms are ineffective due to high ambient noise and provides effective high performance visual warning annunciation. For example use on high criticality applications (including on a PAGA Public Address and Alarm System) and is designed for reliable service on both land based and marine / offshore installations.

The ZAB1-M4 beacon can be equipped with up to four different colour sources within a **single** housing realising major cost savings over conventional discrete multiple beacon arrays. The unit is capable of colour selection by a three pair cable or ZAB-M4-A can be specified allowing energisation and control via a single three conductor live / neutral / earth L, N, E cable

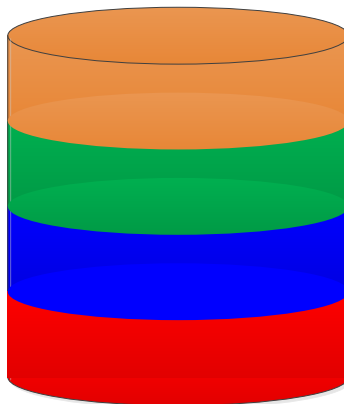
The unit utilises a totally rot proof stainless steel construction which minimises routine service and ensures low through life maintenance cycles.

ZIZTEL LIMITED

email: sales@ziztel.com web: www.ziztel.com tel: +44 (0) 115 9202888
mail: 96 Rolleston Drive, Arnold, Nottingham, NG5 7JP United Kingdom

ZAB1-M4 colour code - LED colour suffix

| | |
|---------------|---|
| Red | R |
| Orange | O |
| Yellow | Y |
| Blue | B |
| Green | G |
| White / Clear | C |
| Amber | A |



Example shown: ZAB1-M4 – RBGA

Mains supply input voltage preference

ZAB1-M4 24 / 48 / 115 / 230

A range of AC input voltages are available ensuring compatibility with virtually all mains power supply systems. AC supply input 110 / 120 – 220 / 230 VDC supply input 24 – 48 V.

ZIZTEL LIMITED

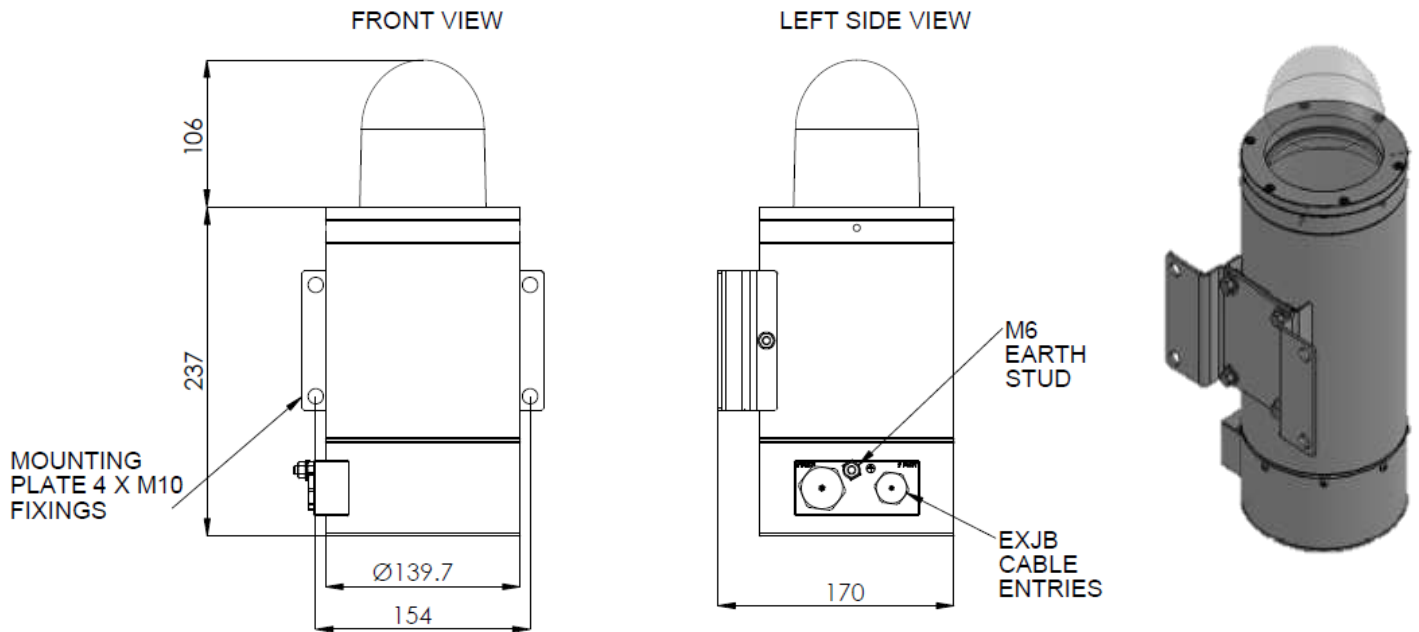
email: sales@ziztel.com web: www.ziztel.com tel: +44 (0) 115 9202888
mail: 96 Rolleston Drive, Arnold, Nottingham, NG5 7JP United Kingdom

All text, drawings and photography contained within this data sheet are the property of Ziztel Ltd and are subject to copyright. Information may neither be transmitted or copied to third parties without the express written consent of Ziztel Ltd. Ziztel Ltd have a policy of continuous product improvement and contents here in are liable to change without notice.

ZAB1-M4 Well glass guard protection

The ZAB1-M4 employs a toughened well glass lens and is certified for safe operation without any further protection. However in applications where there is known risk of well glass impact we advise the user to consider ordering the beacon with additional protection by specifying the option for a heavy duty stainless steel wire cage.

General assembly ZAB1-M4 E Exe version shown below

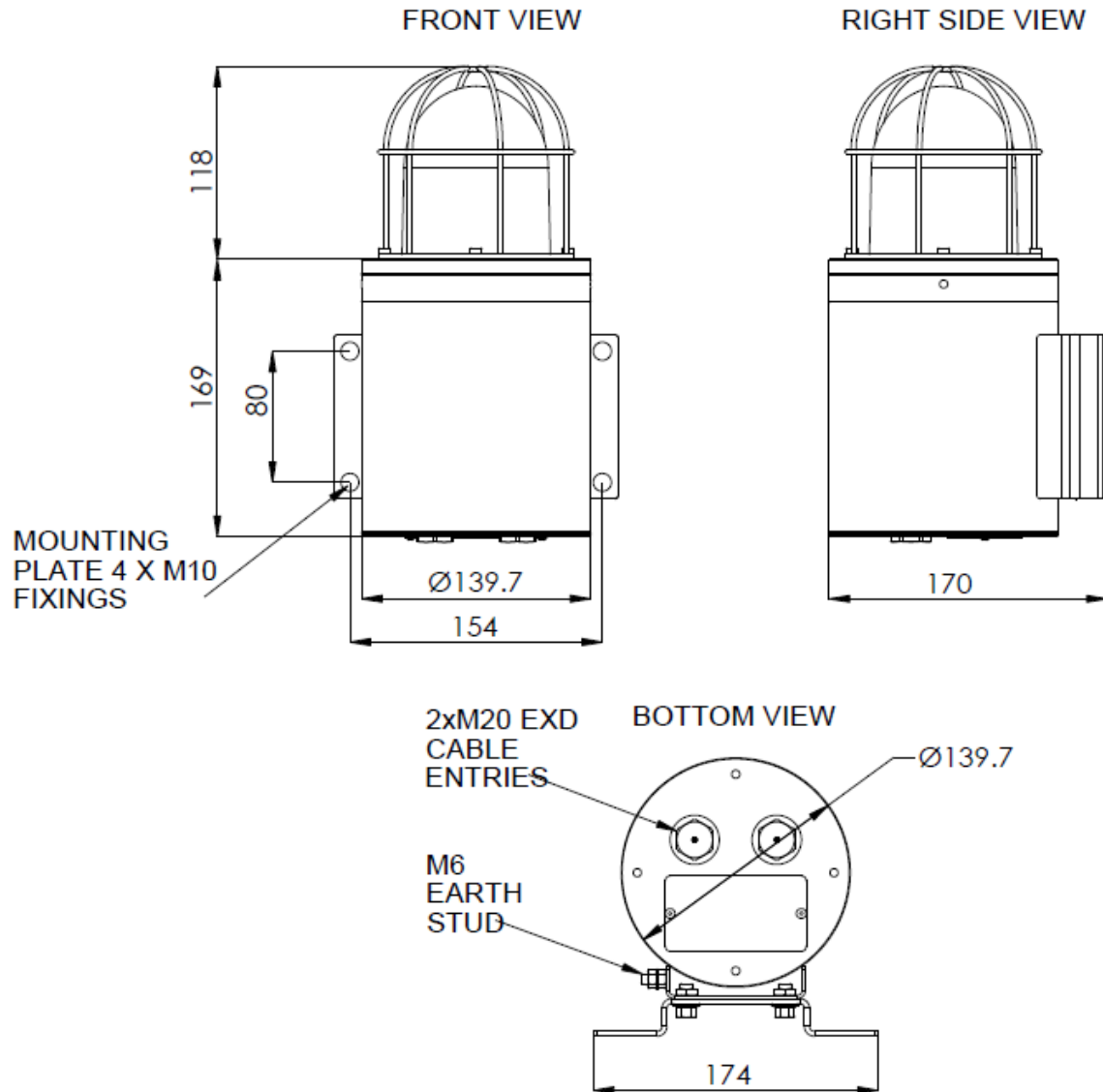


ZIZTEL LIMITED

email: sales@ziztel.com web: www.ziztel.com tel: +44 (0) 115 9202888
mail: 96 Rolleston Drive, Arnold, Nottingham, NG5 7JP United Kingdom

All text, drawings and photography contained within this data sheet are the property of Ziztel Ltd and are subject to copyright. Information may neither be transmitted or copied to third parties without the express written consent of Ziztel Ltd. Ziztel Ltd have a policy of continuous product improvement and contents here in are liable to change without notice.

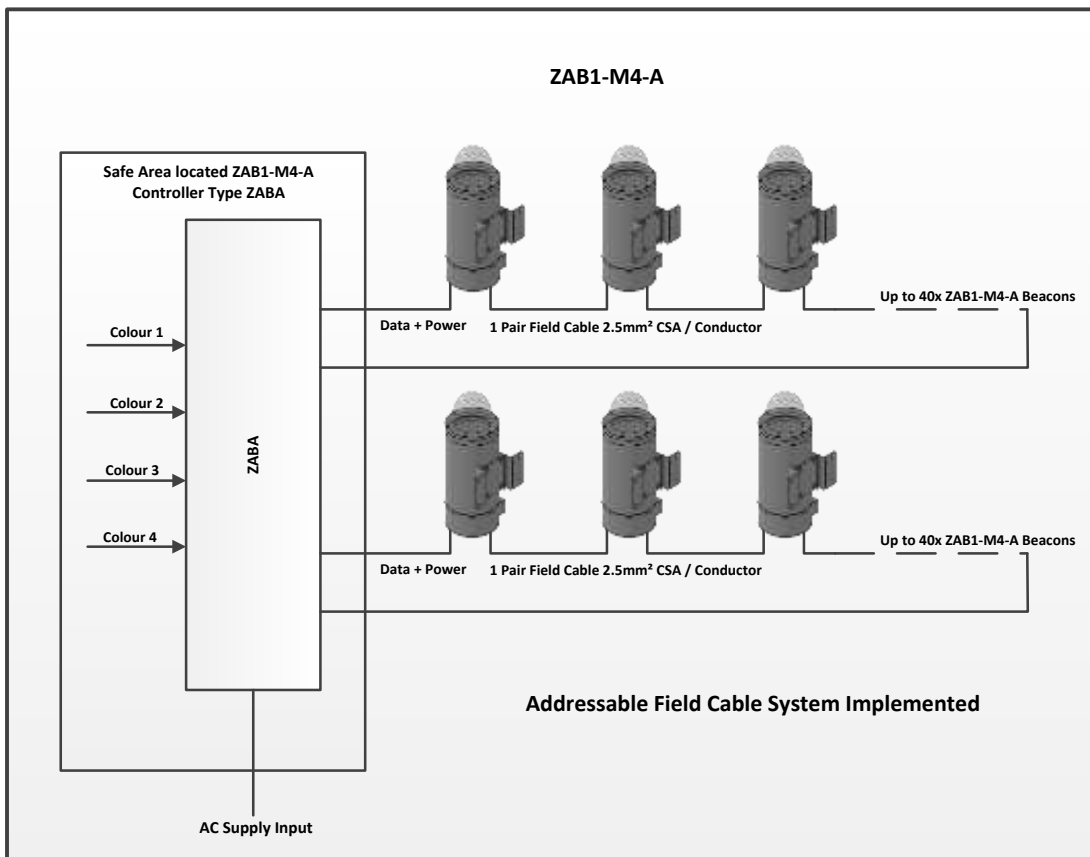
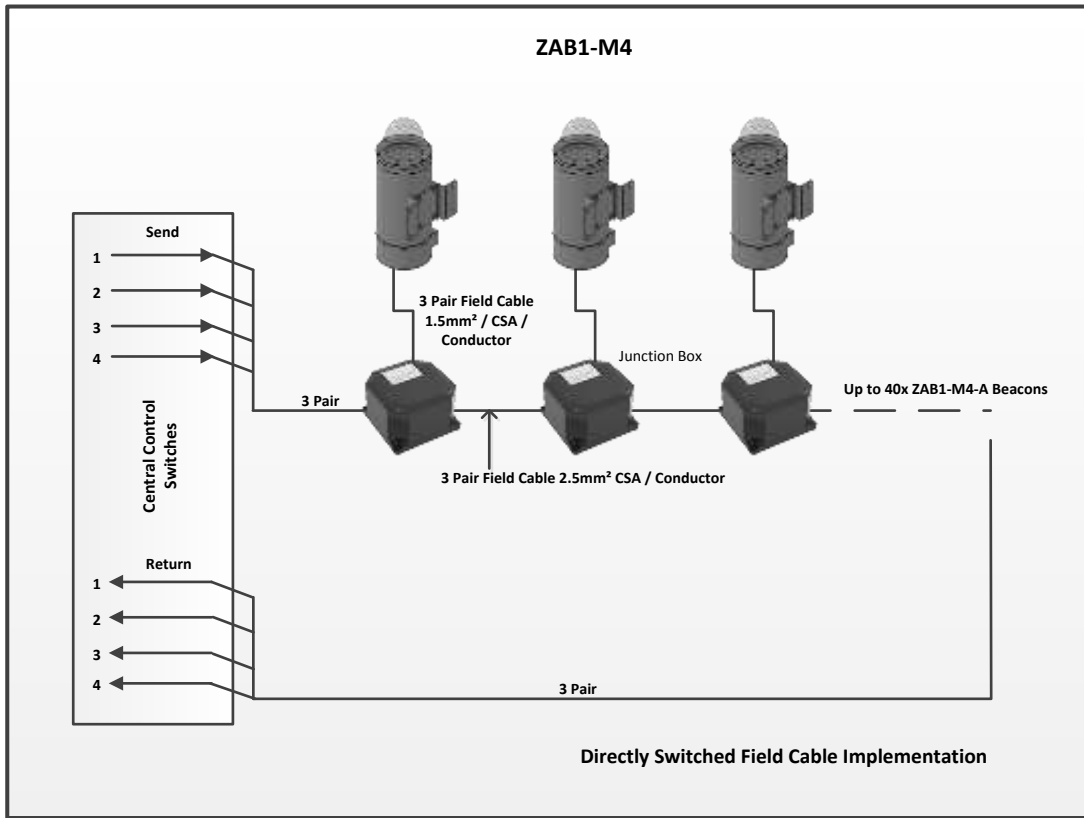
General assembly ZAB1-M4 D Exd version shown below



ZIZTEL LIMITED

email: sales@ziztel.com web: www.ziztel.com tel: +44 (0) 115 9202888
mail: 96 Rolleston Drive, Arnold, Nottingham, NG5 7JP United Kingdom

All text, drawings and photography contained within this data sheet are the property of Ziztel Ltd and are subject to copyright. Information may neither be transmitted or copied to third parties without the express written consent of Ziztel Ltd. Ziztel Ltd have a policy of continuous product improvement and contents here in are liable to change without notice.

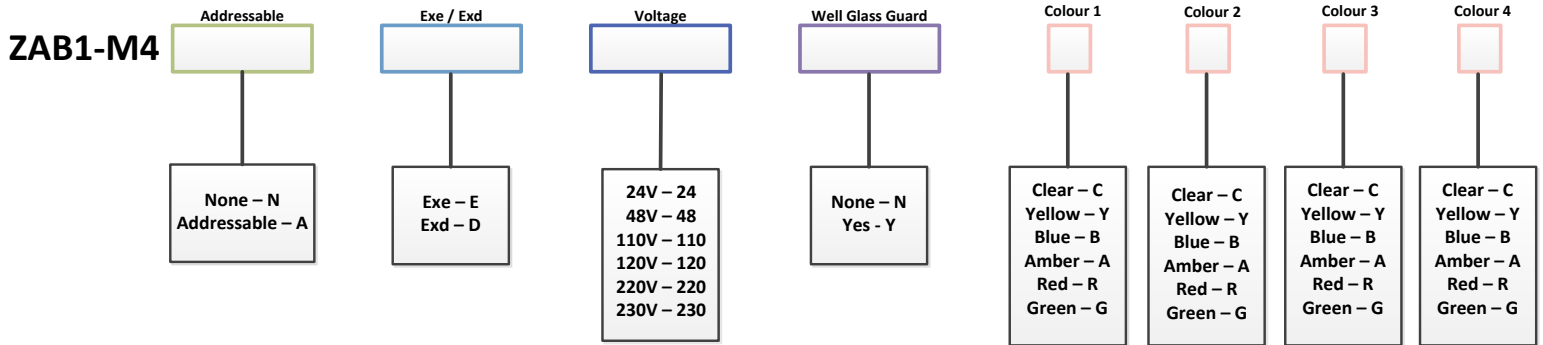


ZIZTEL LIMITED

email: sales@ziztel.com web: www.ziztel.com tel: +44 (0) 115 9202888
 mail: 96 Rolleston Drive, Arnold, Nottingham, NG5 7JP United Kingdom

All text, drawings and photography contained within this data sheet are the property of Ziztel Ltd and are subject to copyright. Information may neither be transmitted or copied to third parties without the express written consent of Ziztel Ltd. Ziztel Ltd have a policy of continuous product improvement and contents here in are liable to change without notice.

Ordering Requirements:



Example: ZAB1-M4AE48YBGR

Addressable - Exe Termination Chamber - 48 Volts - With Well Guard - Colour Blue - Colour Green - Colour Yellow - Colour Red

| Technical Specification | |
|--|--|
| Light Source | High intensity LED cluster |
| Supply Voltage | 110 /120- 220 /240 VAC 50 / 60 Hz |
| Tolerance | +10% / -15% |
| Consumption | 30 Watts / VA (60 Watts / VA peak) |
| Initiation | 5 x field conductors |
| Initiation suffix 'A' type | 2 x field conductors |
| Flash rate | 1 Hz |
| Duty cycle | Continuous |
| Terminal conductor size | Up to 2.5 mm ² |
| Temperature Range | -20 °C - +60 °C |
| IP Rating | IP66 |
| Weight | 6Kg |
| Dimensions Exd variant | 170 x 290 mm |
| Dimensions Exe variant | 170 x 320 mm |
| Fittings | Stainless steel |
| Mounting attitude | Vertical or horizontal |
| Enclosure material | Rot proof 316g stainless steel |
| Enclosure colour | Natural |
| LED colour selection maximum 4 colours | Red, Yellow, Green, Blue, White, Amber |
| Gland Entry | 2 x M20 Isometric |
| Location | Hazardous area Zone 1 IIC T4 |

ZIZTEL LIMITED

email: sales@ziztel.com web: www.ziztel.com tel: +44 (0) 115 9202888
 mail: 96 Rolleston Drive, Arnold, Nottingham, NG5 7JP United Kingdom

All text, drawings and photography contained within this data sheet are the property of Ziztel Ltd and are subject to copyright. Information may neither be transmitted or copied to third parties without the express written consent of Ziztel Ltd. Ziztel Ltd have a policy of continuous product improvement and contents here in are liable to change without notice.