

# ZFL22X

## HAZARDOUS AREA FLASHING BEACON



DS-288 Issue 01

Thank you for your interest in Ziztel - we are a UK based manufacturer of PAGA and Intercom products. Our systems are mainly designed for use in the Hazardous Oil, Gas and Petrochemical industries.

ZFL22X is a rugged, explosion proof, high intensity 21 Joule visual alarm unit designed for signaling in noisy areas.

Please do not hesitate to contact us for further information on our products we look forward to working with you on a project soon...

### ZIZTEL ZFL22X XENON DISCHARGE TUBE EXPLOSION PROOF BEACON

Duplicated Xenon Discharge Tubes – *Suitable for  
Critical Life Safety Applications*

Loop through terminations – *Saves junction boxes  
and reduces installation cost*

Integral Telephone Ringing Detector – *No need for  
External Relay Box*

Very heavy duty corrosion / Ultra Violet light  
Proof Construction – *suitable for operation in  
aggressive environments*

The Ziztel ZFL22X industrial flashing beacon is designed to provide safe visual warnings in a hostile climatic environment and potentially explosive atmosphere. The unit comprises of a rugged IP66 rot proof, corrosion resistant glass re enforced polyester enclosure which is fitted with a robust polycarbonate Fresnel optic lens dome and control electronics module.

The light source is based on dual xenon discharge tubes which produce a brilliant pulse of light at regular intervals. Cable entry is via up to four 20 mm / 25mm isometric gland penetrations and the integral termination compartment accepts ferruled cable conductors up to 2.5mm. Dual terminations facilitate simple field cable 'loop through' thereby eliminating external junction boxes and reducing installation time and costs.

Colour is given by selection of Fresnel lens caps which provide controlled light output to ensure maximum efficiency and visibility in external areas.



ZIZTEL LIMITED

email: [sales@ziztel.com](mailto:sales@ziztel.com) web: [www.ziztel.com](http://www.ziztel.com) tel: +44 (0) 115 9202888  
mail: 96 Rolleston Drive, Arnold, Nottingham, NG5 7JP United Kingdom

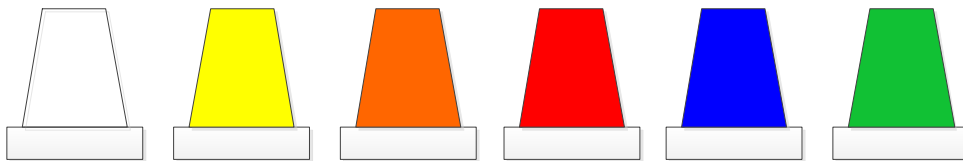
All text, drawings and photography contained within this data sheet are the property of Ziztel Ltd and are subject to copyright. Information may neither be transmitted or copied to third parties without the express written consent of Ziztel Ltd. Ziztel Ltd have a policy of continuous product improvement and contents here in are liable to change without notice.

The unit also carries as standard the possibility to connect a telephone line thereby enabling the unit to indicate *telephone ringing* in a noisy area upon detection of ringing voltage.

By eliminating the flame paths associated with conventional explosion proof beacons costly maintenance is minimized significantly reducing through life service. The unit is certified for use without a lens guard however where there is known risk of damage to the lens dome an optional wire cage can be fitted to provide additional protection.

Lens options:

Clear C, Yellow Y, Amber A, Red R, Blue B, Green G

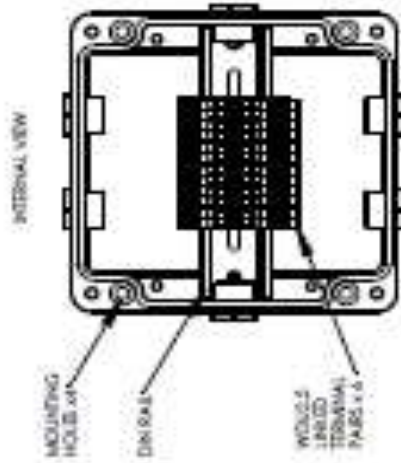
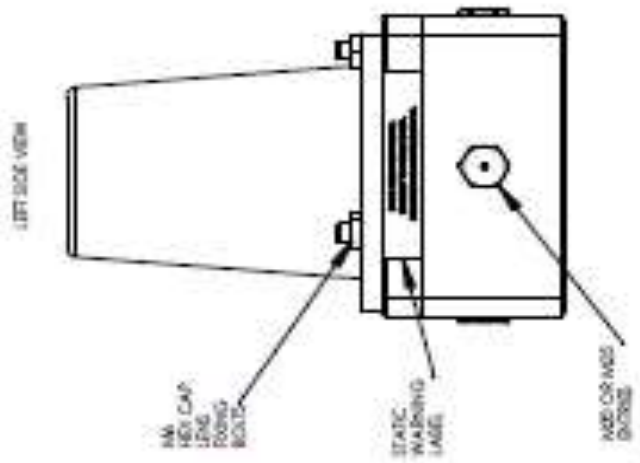
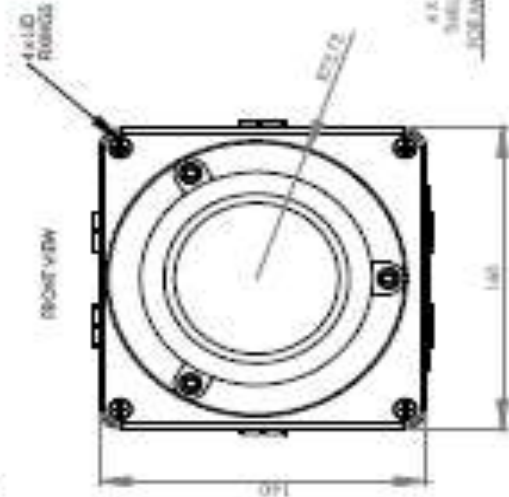
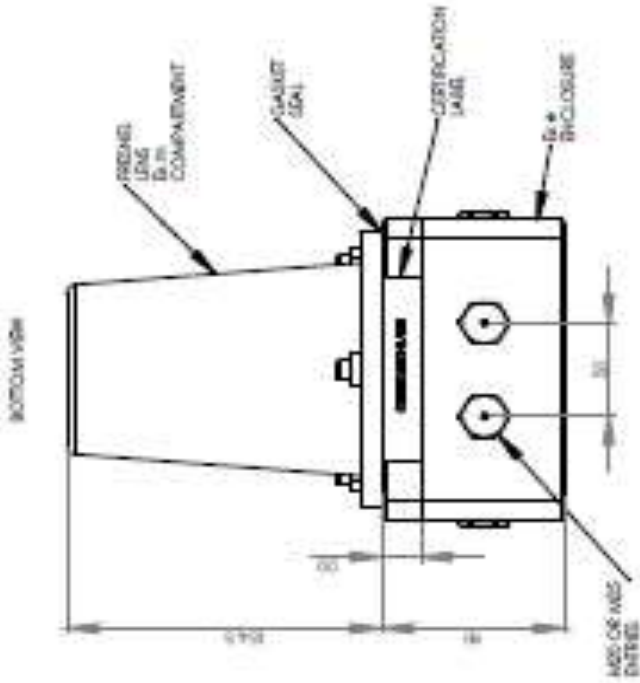
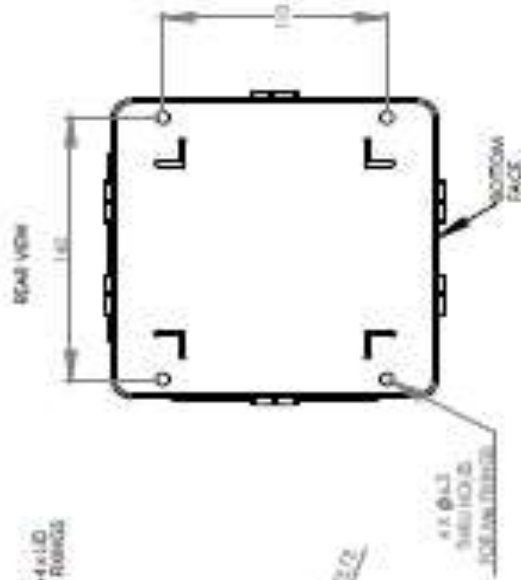
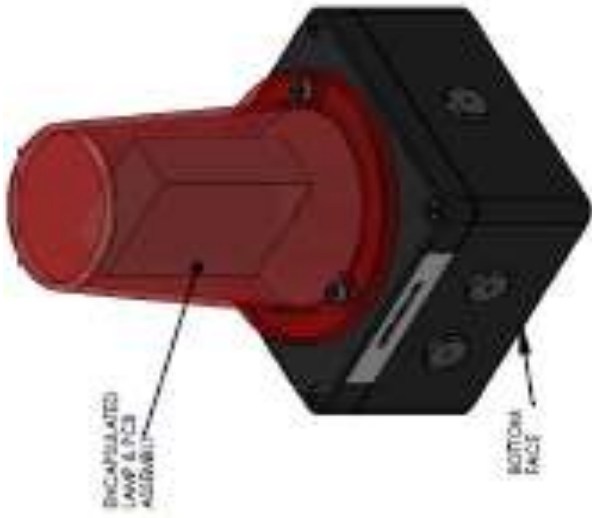


Technical Specification	
Power Supply Voltage	AC 110/120V; AC 220/240V 50/60Hz DC 24 V; DC48
Consumption	60 Watts Maximum
Light source	Dual xenon gas discharge tube
Duty Cycle	Continuous
Flash Rate	1Hz
Voltage input tolerance	+10% -20%
Power	21 Joule
Telephone interface	20 to 100 V RMS, cadence duty cycle 3 seconds
Enclosure	Polycarbonate with Stainless Steel Fittings
Enclosure colour	RAL9005 Black
Colours	Amber – A Yellow – Y Blue – B Green – G Red – R Clear – C
Temperature Range	-40C to +60C ambient
Environmental Rating	IP66
Cable Entry	Up to 4 x 20mm / 25 mm entries
Cable Conductor size	Up to 2.5mm ferruled
Weight	4Kg
Dimensions	160 x 160 x 244 mm
Certification	Zone 1, IIC T4

ZIZTEL LIMITED

email: [sales@ziztel.com](mailto:sales@ziztel.com) web: [www.ziztel.com](http://www.ziztel.com) tel: +44 (0) 115 9202888  
mail: 96 Rolleston Drive, Arnold, Nottingham, NG5 7JP United Kingdom

All text, drawings and photography contained within this data sheet are the property of Ziztel Ltd and are subject to copyright. Information may neither be transmitted or copied to third parties without the express written consent of Ziztel Ltd. Ziztel Ltd have a policy of continuous product improvement and contents here in are liable to change without notice.



ZIZTEL LIMITED

email: [sales@ziztel.com](mailto:sales@ziztel.com) web: [www.ziztel.com](http://www.ziztel.com) tel: +44 (0) 115 9202888  
 mail: 96 Rolleston Drive, Arnold, Nottingham, NG5 7JP United Kingdom

All text, drawings and photography contained within this data sheet are the property of Ziztel Ltd and are subject to copyright. Information may neither be transmitted or copied to third parties without the express written consent of Ziztel Ltd. Ziztel Ltd have a policy of continuous product improvement and contents here in are liable to change without notice.