

# ZAB1-2-M2 EXPLOSION PROOF BEACON

DS-297 Issue 01



Thank you for your interest in Ziztel - we are a UK based manufacturer of PAGA and Intercom products. Our systems are mainly designed for use in the Hazardous Oil, Gas and Petrochemical industries. The ZAB1-M2 is a high performance ATEX, IECEx certified flashing beacon which incorporates two independently addressable colour coded light sources. The unit is specifically designed to meet the requirements of PFEER and IMO SOLAS and features dual xenon discharge tubes for each colour to deliver brilliant pulses of high intensity visible light. **Extended temperature range - 60 to + 70 Centigrade and IP68 rating.**



Image shows ZAB1-M2 E Exe version with auxiliary termination chamber.

## ZAB1-2-M2 DUAL COLOUR FLASHING BEACON

*Corrosion proof all stainless steel construction – long through life, minimal maintenance*

*Two colours in a single unit – major cost saving over conventional beacons*

*Fresnal optical lens – high intensity dispersed light source*

*Zone 1 certified - safe for use in hazardous areas*

The Ziztel ZAB1-2-M2 is a rugged explosion proof IECEx and ATEX certified electronic flashing beacon which employs dual xenon tube light sources to selectively produce brilliant pulses of visible coloured light.

The unit is specified for safety applications where acoustic alarms are ineffective due to high ambient noise and provides effective high performance visual warning annunciation. For example use on high criticality applications (including on a PAGA Public Address and Alarm System) and is designed for reliable service on both land based and marine / offshore installations.

The ZAB1-2-M2 beacon is equipped with two colour sources within a **single** housing realising major cost savings over conventional discrete multiple beacon arrays. The unit is capable of colour selection by a two pair cable assigned as follows - four conductors live 1 / live 2 / neutral / earth. Linked termination pairs are allocated which facilitate loop in / out field cable assignment (without two wires in a single terminal) thereby eliminating external junction boxes.

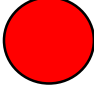

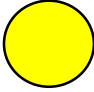

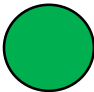
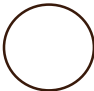
The unit is IP68 ingress protection and this with extended temperature range from **-60C to + 70 C** and a totally rot proof stainless steel construction minimises routine service and ensures low through life maintenance cycles.

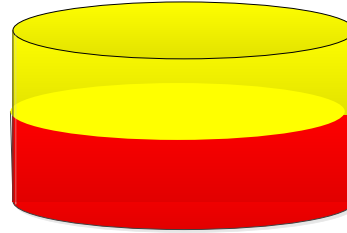
ZIZTEL LIMITED

email: [sales@ziztel.com](mailto:sales@ziztel.com) web: [www.ziztel.com](http://www.ziztel.com) tel: +44 (0) 115 9202888  
mail: 96 Rolleston Drive, Arnold, Nottingham, NG5 7JP United Kingdom

All text, drawings and photography contained within this data sheet are the property of Ziztel Ltd and are subject to copyright. Information may neither be transmitted or copied to third parties without the express written consent of Ziztel Ltd. Ziztel Ltd have a policy of continuous product improvement and contents here in are liable to change without notice.

## ZAB1-M2 colour code - colour suffix

Red	R	
Orange	O	
Yellow	Y	
Blue	B	
Green	G	
White / Clear	W	



Example shown: ZAB1-M2-R-Y = Red and Yellow lenses

## Mains supply input voltage preference

### ZAB1-M2 24 / 48 / 115 / 230

A range of AC input voltages are available ensuring compatibility with virtually all mains power supply systems. AC supply input 110 / 120 – 220 / 230 V. DC supply input 24 – 48 V is available on non-addressable beacons.

## ZAB1-M2 Well glass guard protection

The ZAB1-M2 employs a toughened well glass lens and is certified for safe operation without any further protection. However in applications where there is known risk of well glass impact we advise the user to consider ordering the beacon with additional protection by specifying the option for a heavy duty stainless steel wire cage.

---

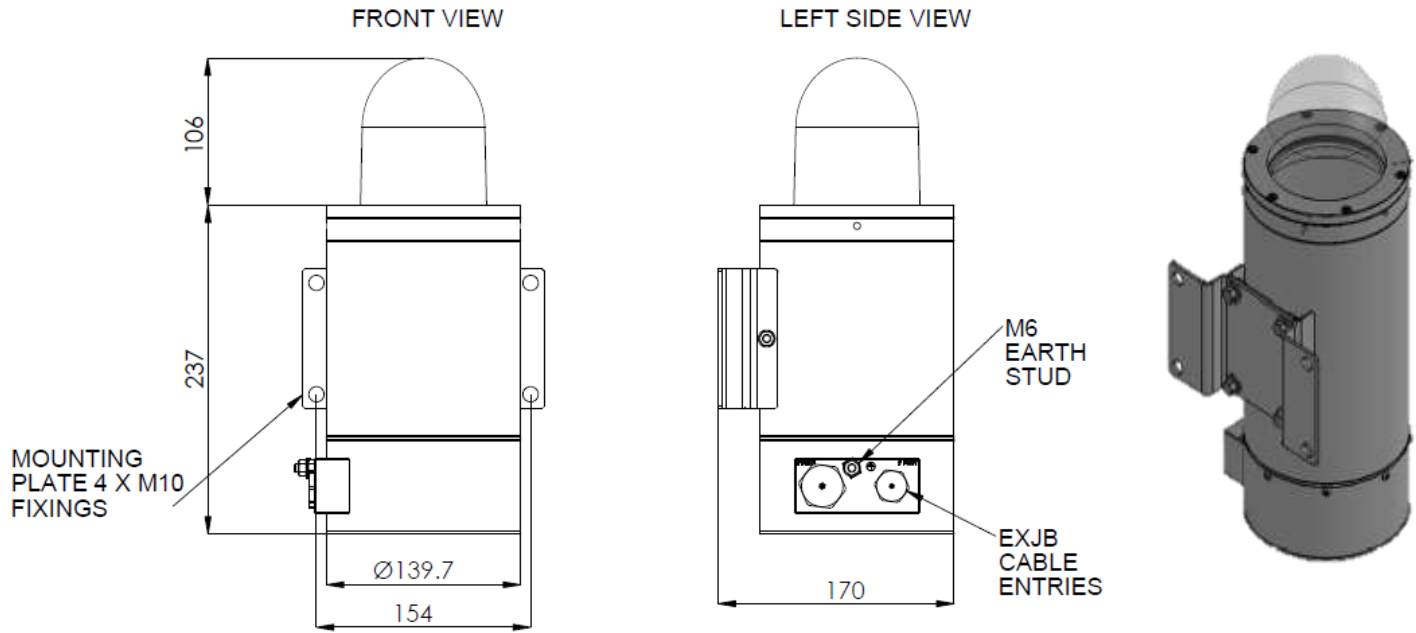
#### ZIZTEL LIMITED

email: [sales@ziztel.com](mailto:sales@ziztel.com) web: [www.ziztel.com](http://www.ziztel.com) tel: +44 (0) 115 9202888  
mail: 96 Rolleston Drive, Arnold, Nottingham, NG5 7JP United Kingdom

All text, drawings and photography contained within this data sheet are the property of Ziztel Ltd and are subject to copyright. Information may neither be transmitted or copied to third parties without the express written consent of Ziztel Ltd. Ziztel Ltd have a policy of continuous product improvement and contents here in are liable to change without notice.

**General assembly ZAB1-M2 E Exe version shown below**

ZAB1-M4 BEACON WITH INTEGRAL EXE JUNCTION BOX

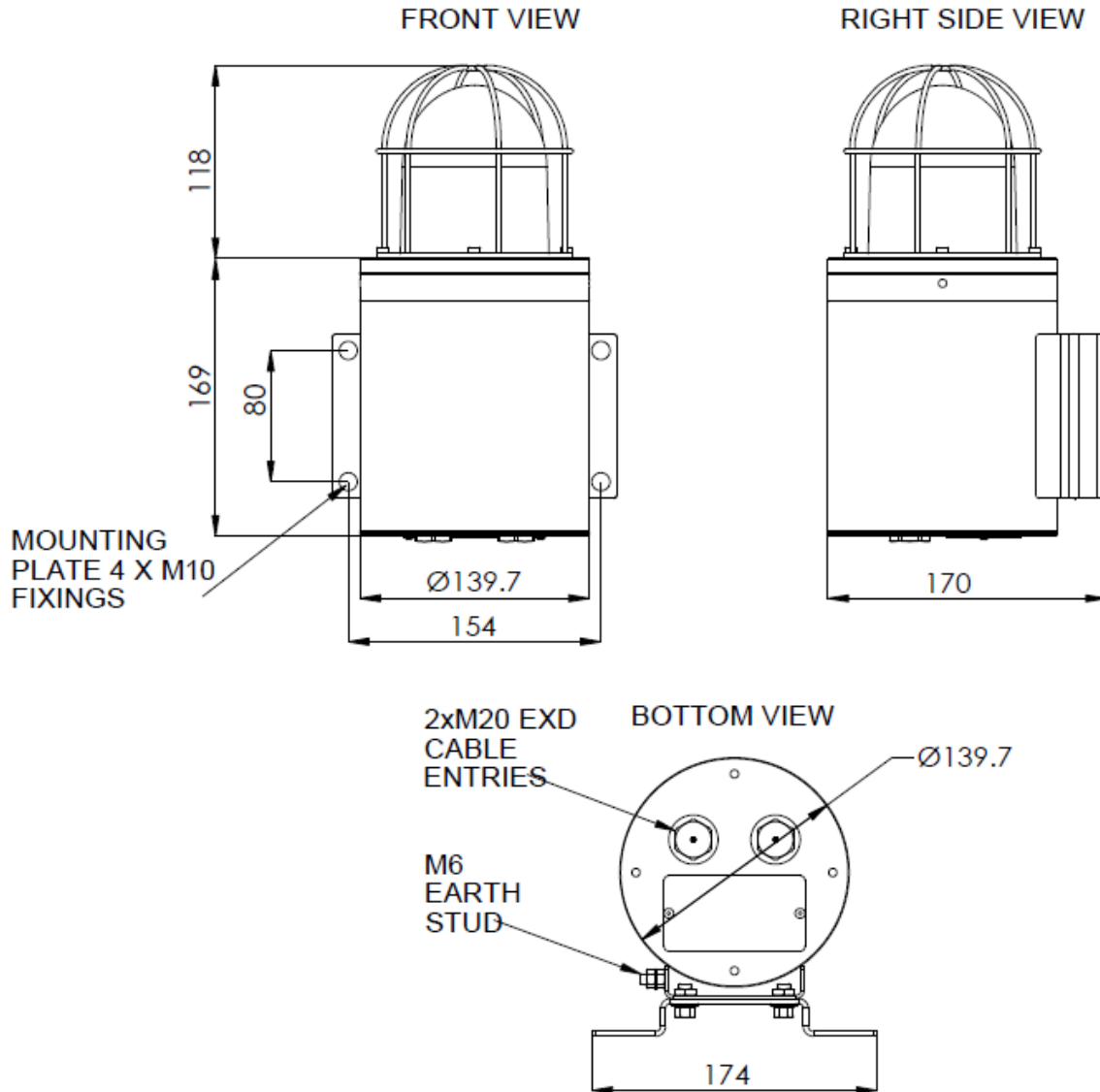


ZIZTEL LIMITED

email: [sales@ziztel.com](mailto:sales@ziztel.com) web: [www.ziztel.com](http://www.ziztel.com) tel: +44 (0) 115 9202888  
mail: 96 Rolleston Drive, Arnold, Nottingham, NG5 7JP United Kingdom

All text, drawings and photography contained within this data sheet are the property of Ziztel Ltd and are subject to copyright. Information may neither be transmitted or copied to third parties without the express written consent of Ziztel Ltd. Ziztel Ltd have a policy of continuous product improvement and contents here in are liable to change without notice.

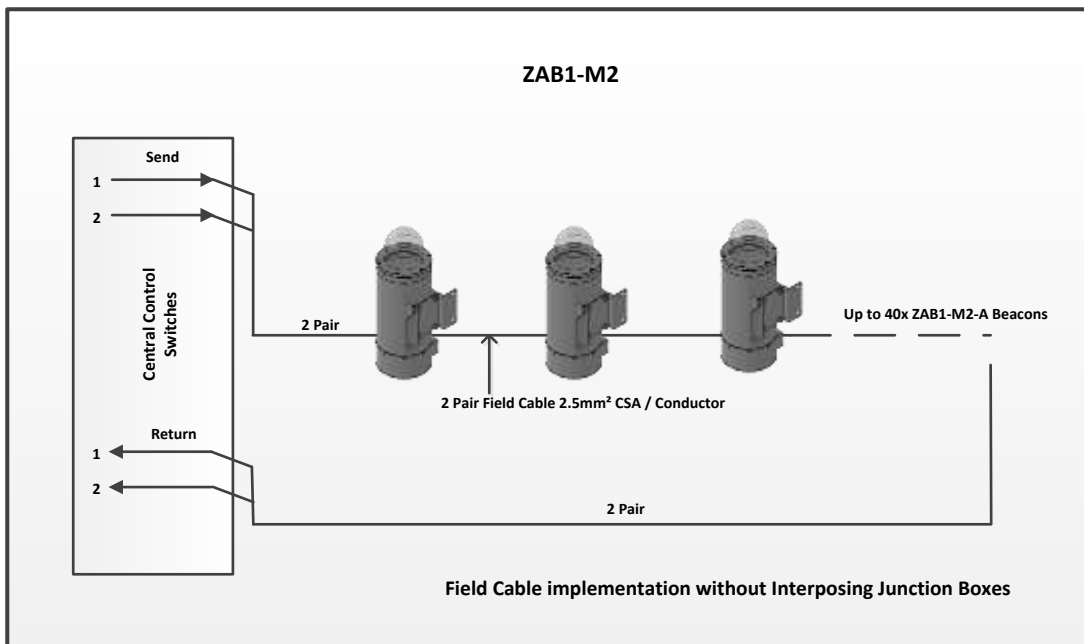
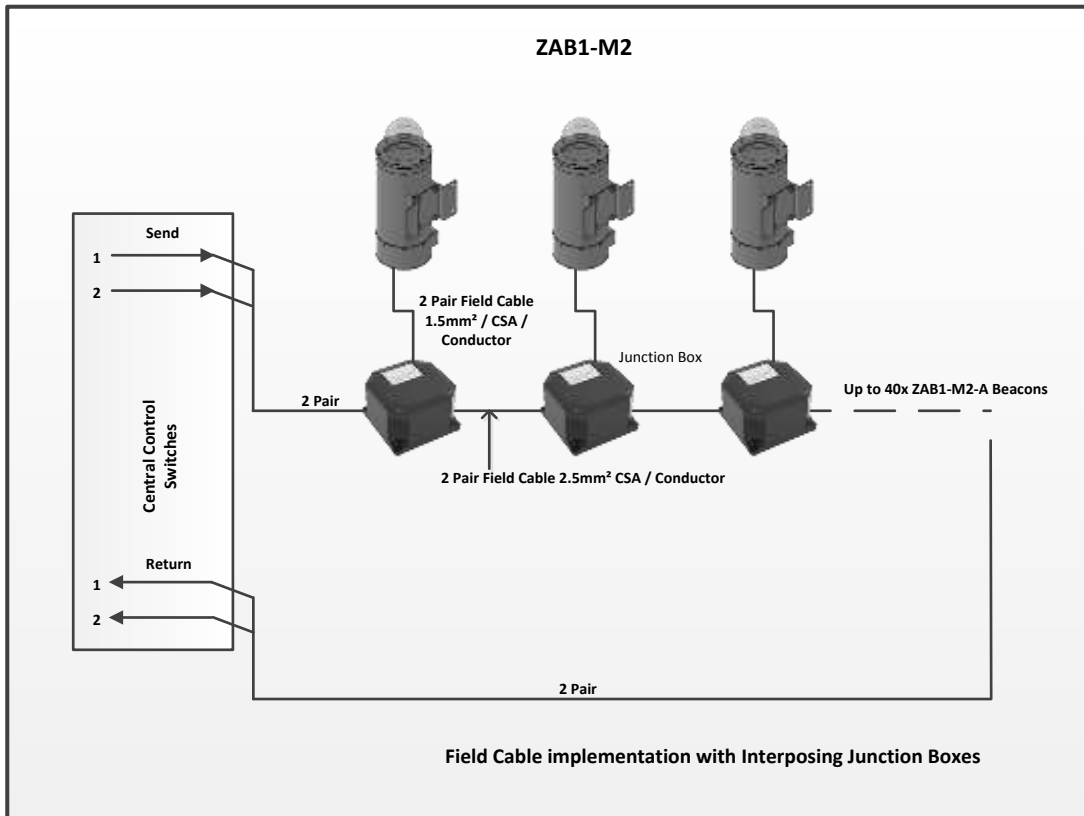
*General assembly ZAB1-M2 D Exd version shown below*



ZIZTEL LIMITED

email: [sales@ziztel.com](mailto:sales@ziztel.com) web: [www.ziztel.com](http://www.ziztel.com) tel: +44 (0) 115 9202888  
mail: 96 Rolleston Drive, Arnold, Nottingham, NG5 7JP United Kingdom

All text, drawings and photography contained within this data sheet are the property of Ziztel Ltd and are subject to copyright. Information may neither be transmitted or copied to third parties without the express written consent of Ziztel Ltd. Ziztel Ltd have a policy of continuous product improvement and contents here in are liable to change without notice.

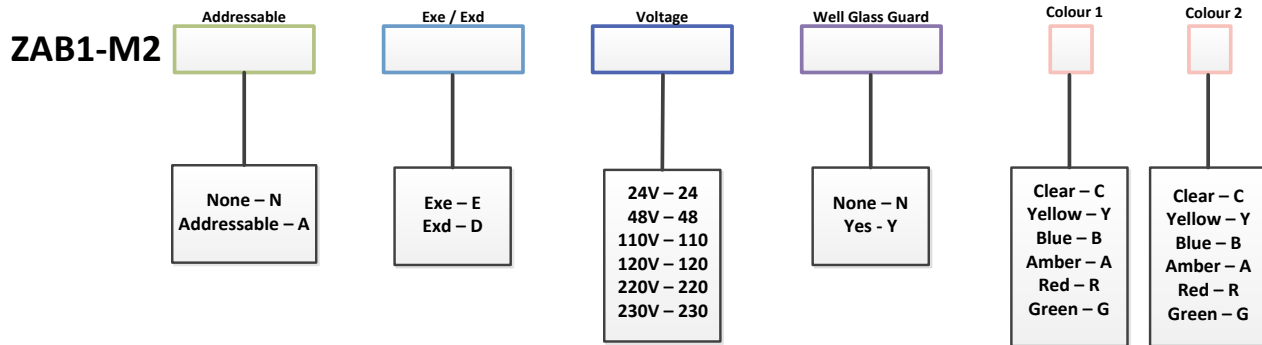


**ZIZTEL LIMITED**

email: [sales@ziztel.com](mailto:sales@ziztel.com) web: [www.ziztel.com](http://www.ziztel.com) tel: +44 (0) 115 9202888  
 mail: 96 Rolleston Drive, Arnold, Nottingham, NG5 7JP United Kingdom

All text, drawings and photography contained within this data sheet are the property of Ziztel Ltd and are subject to copyright. Information may neither be transmitted or copied to third parties without the express written consent of Ziztel Ltd. Ziztel Ltd have a policy of continuous product improvement and contents here in are liable to change without notice.

## Ordering Requirements:



**Example: ZAB1-M2AE48YBG**

Addressable - Exe Termination Chamber - 48 Volts - With Well Guard – Colour Blue – Colour Green

Technical Specification	
Light Source	High intensity Xenon discharge tube x 4 (two per colour)
Supply Voltage	110 /120- 220 /240 VAC 50 / 60 Hz
	24 / 48 VDC
Tolerance	+10% / -15%
Consumption	30 Watts / VA (60 Watts / VA peak)
Initiation	Switched Live 1 / Live 2
Flash rate	1 Hz
Duty cycle	Continuous
Terminal conductor size	Up to 2.5 mm <sup>2</sup>
Temperature Range	-60 °C - +70 °C
IP Rating	IP68
Weight Exe variant	6Kg
Weight Exd variant	4Kg
Dimensions Exd variant	170 x 290 mm
Dimensions Exe variant	170 x 320 mm
Fittings	Stainless steel
Mounting attitude	Vertical or horizontal
Enclosure material	Rot proof 316g stainless steel
Enclosure colour	Natural
Two colour selection	Red, Yellow, Green, Blue, White, Amber
Gland Entry	2 x M20 Isometric
Location	Hazardous area Zone 1 IIC T4

See also DS172 data sheet ZAB1-2 flashing beacon.

ZIZTEL LIMITED

email: [sales@ziztel.com](mailto:sales@ziztel.com) web: [www.ziztel.com](http://www.ziztel.com) tel: +44 (0) 115 9202888  
mail: 96 Rolleston Drive, Arnold, Nottingham, NG5 7JP United Kingdom

All text, drawings and photography contained within this data sheet are the property of Ziztel Ltd and are subject to copyright. Information may neither be transmitted or copied to third parties without the express written consent of Ziztel Ltd. Ziztel Ltd have a policy of continuous product improvement and contents here in are liable to change without notice.