

EX569-T

EX TELEPHONE SET

DS-309 Issue 03



Thank you for your interest in Ziztel - we are a UK based manufacturer of PAGA and Intercom products. Our systems are mainly designed for use in Military Marine the Hazardous Oil, Gas and Petrochemical industries. The Ex569-T is a heavy duty explosion proof telephone set designed to provide reliable service in hostile environmental conditions. The unit is extensively proven in applications including Chemical plants, refineries and offshore installations.

ATEX EXPLOSION-PROOF TELEPHONE SET

Vibration shock-proof – 100% metal construction

Explosion-proof certified ATEX II2GD-IP66 –
Suitable for hazardous areas

Automatic fault detection – Periodic function test

Ziztel EX-569-T Explosion-proof industrial wall mounting telephone set comprises of shock-proof corrosion resistant body and heavy-duty IP66 handset with stainless steel cord. The keypad is equipped with rough service vandal resistant push buttons large enough to be operated by gloved hands.

The unit incorporates an automatic periodic self-test of all the functions and main devices within the telephone, including audio test of microphone and earpiece. The handset status is indicated by an integral blue flashing LED. (A Fault-Relay reporting module is available as an option).

Extended keypad

14-key keypad, with single metal buttons, with double function possibility activated by the 'Fn' (Function) button:

- 12 buttons (*, #, 0, 1,... ..9)
- R (flash), RP (last number redial)
- Pre-memorized call buttons (M1-M8)
- Volume adjustment V+, V-
- Hook key, or hands-free mode (on TLS457TV only)
- Door opening button, on DTMF password
- Red LED indicating "on line" or "incoming calls"
- Blue LED indicating fault conditions



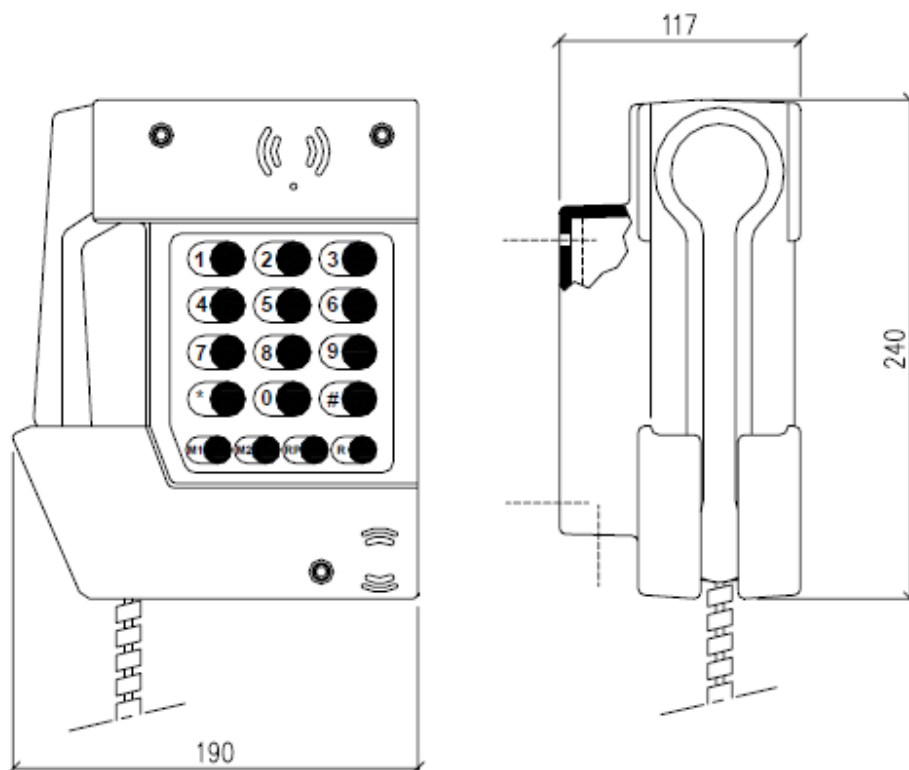
ZIZTEL LIMITED

email: sales@ziztel.com web: www.ziztel.com tel: +44 (0) 115 9202888
mail: 96 Rolleston Drive, Arnold, Nottingham, NG5 7JP United Kingdom

All text, drawings and photography contained within this data sheet are the property of Ziztel Ltd and are subject to copyright. Information may neither be transmitted or copied to third parties without the express written consent of Ziztel Ltd. Ziztel Ltd have a policy of continuous product improvement and contents here in are liable to change without notice.

Electrical Characteristics	
Powered by telephone line	12V _{DC} - 60V _{DC}
Ringing Voltage	25V _{EFF} - 100V _{EFF}
Dialling	DTMF
Electronic Bell	Up to 95 dB@
Hook	Magnetic, high protection
Programmable	100% programmable, remotely by DTMF
MTBF	> 180000 hours
MTTR	3 minutes
Microphone circuit	Noise-cancelling

Technical Specification	
Certification	ATEX II 2GD – EEx emib[ib] IIC T5
Min. / Max. amb. Temp	-40°C / +60°C
Chassis	High impact alloy 5mm/RAL 2003
Handset	High impact alloy 2mm/RAL 9005
Handset`s cord	Stainless steel, 200kg resistance
Wiring	Screw terminals up to 2.5mm ² CSA conductors
Dimensions	190mm x 240mm x 117mm
Weight	3.6kg
IP-rating & Shock-Resistance	IP66 & IK10
Cables inlets	(2x) 20mm/M20 entries



ZITTEL LIMITED

email: sales@zittel.com web: www.zittel.com tel: +44 (0) 115 9202888
 mail: 96 Rolleston Drive, Arnold, Nottingham, NG5 7JP United Kingdom

All text, drawings and photography contained within this data sheet are the property of Zitel Ltd and are subject to copyright. Information may neither be transmitted or copied to third parties without the express written consent of Zitel Ltd. Zitel Ltd have a policy of continuous product improvement and contents here in are liable to change without notice.