

# 350SR-N2

## AUDIO AMPLIFIER SUBRACK

DS-313 Issue 01



Thank you for your interest in Zitel - we are a UK based manufacturer of PAGA and Intercom products. Our systems are mainly designed for use in Military, marine and Hazardous Oil, Gas and Petrochemical industries.

The Zitel 350SR-N2 subrack is designed for safety critical applications which demand a fully redundant power amplifier solution. The unit can house up to nine 350A 3U high amplifier modules in a single 3U high 19-inch standard enclosure.

The 350SR-N2 subrack carries on board microsystem to recover data from *each* 350A amplifier module enabling remote display of power amplifier/loudspeaker network status on a Zitel GUI.



### 350SR-N2 HIGH INTEGRITY AUDIO AMPLIFIER SUBRACK

*Up to 4000Watts of on-line amplification  
in a single 3U subrack enclosure –*

*Space saving, smaller rack foot print*

*100% redundant hot standby amplifiers –  
N+1 safety critical architectures*

*Plug/socket connected; no hardwiring -  
Rapid service/system restoration*

*Connection to Zitel management  
GUI – Remote diagnostic capability*

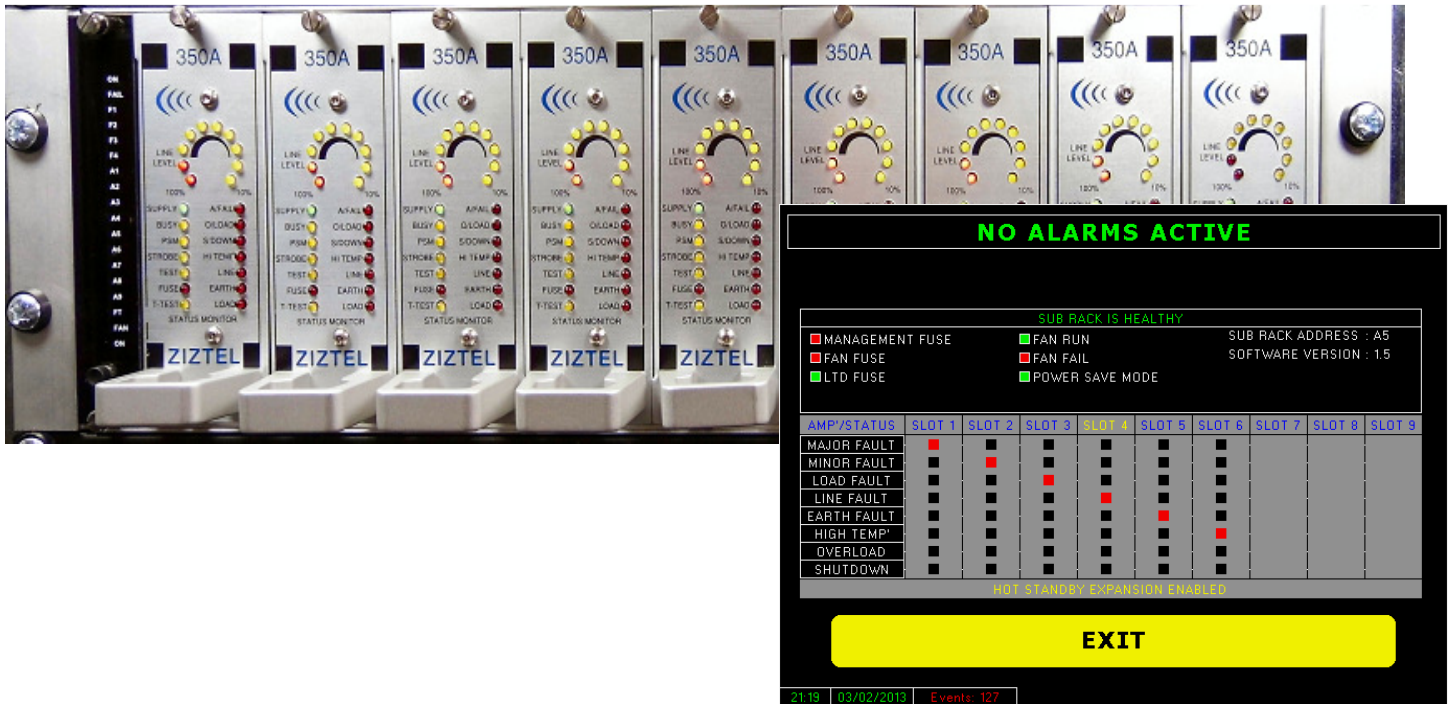
The 350SR-N2 is a 3U standard 19-inch rack mount enclosure designed to carry up to nine 350A or 350-500A amplifier modules. The Zitel amplifier module is extremely compact and exceedingly high power density is possible in the smallest practical rack footprint area. A single 350SR-N2 subrack can provide an ultimate of 2800/4000Watts of on line power with dedicated auto hot standby available for each on line slot. The subrack unit allows amplifiers to be hot pluggable enabling installation and removal without requirement for supply isolation. For high security applications the N2 subrack can support automatic switchover to a standby N2 subrack which is switched in place of the on line unit in event of a major trouble report within the primary critical path thereby ensuring continued no break PAGA service. Additional subracks can be easily cascaded by plug/socket patch cords for larger systems that require more amplification. The 350SR-N2 unit is equipped with a diagnostic display panel which incorporates an engineer test facility. Facilities include amplifier test tick tone initiation which enables the engineer to broadcast a low level audible tone envelope to target loudspeaker zones and detail LED status display

#### ZITTEL LIMITED

email: [sales@zitel.com](mailto:sales@zitel.com) web: [www.zitel.com](http://www.zitel.com) tel: +44 (0) 115 9202888  
mail: 96 Rolleston Drive, Arnold, Nottingham, NG5 7JP United Kingdom

All text, drawings and photography contained within this data sheet are the property of Zitel Ltd and are subject to copyright. Information may neither be transmitted or copied to third parties without the express written consent of Zitel Ltd. Zitel Ltd have a policy of continuous product improvement and contents here in are liable to change without notice.

which speeds maintenance. The 350SR-N2 is fitted with military pattern integral fans to enable efficient amplifier cooling without recourse to costly separate cubicle fan assignment.



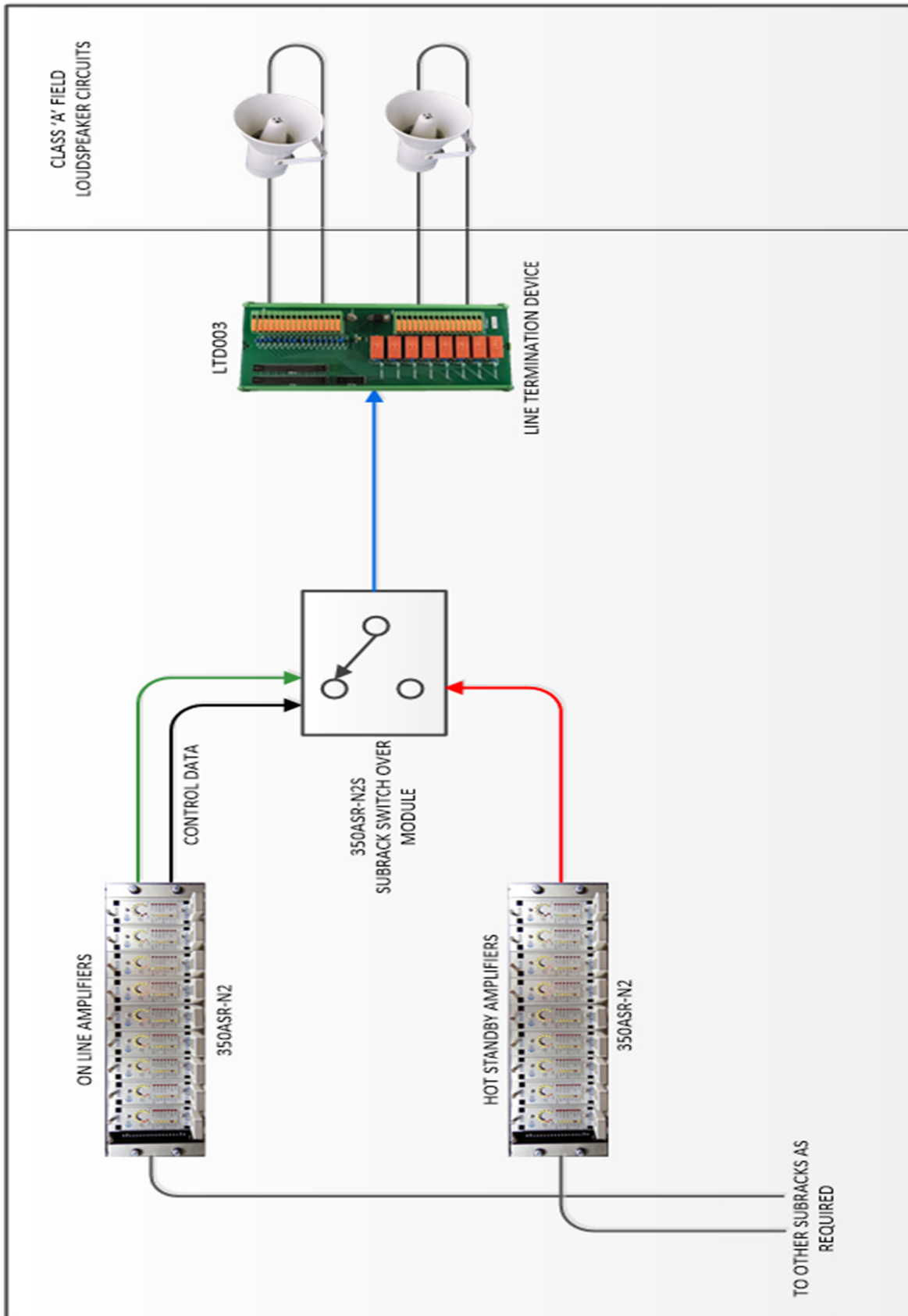
Electrical	
Supply input voltage	4x 48Volts DC (Slot 1-4) 4x 48Volts DC (Slot 5-8) 1 x 48 Volts DC (Slot 9)
Voltage tolerance	43V <sub>DC</sub> – 56V <sub>DC</sub>
Audio Input	8x Base-band audio channels
Control Input/output	Supervision, LTD (Line Termination Device) Management Control
Output	8x 70/100Volt Line

Mechanical	
Height	3U excluding fans 133.5m
Width	19 inches, 482mm
Weight	1.5kg
Weight fully loaded	18kg
Temperature range operational	-40 °C to +70 °C
Location	Internal/Safe area
Material	Anodised Aluminium
Colour	Natural

ZITTEL LIMITED

email: [sales@zittel.com](mailto:sales@zittel.com) web: [www.zittel.com](http://www.zittel.com) tel: +44 (0) 115 9202888  
 mail: 96 Rolleston Drive, Arnold, Nottingham, NG5 7JP United Kingdom

All text, drawings and photography contained within this data sheet are the property of Zitel Ltd and are subject to copyright. Information may neither be transmitted or copied to third parties without the express written consent of Zitel Ltd. Zitel Ltd have a policy of continuous product improvement and contents here in are liable to change without notice.



ZITTEL LIMITED

email: [sales@zittel.com](mailto:sales@zittel.com) web: [www.zittel.com](http://www.zittel.com) tel: +44 (0) 115 9202888  
 mail: 96 Rolleston Drive, Arnold, Nottingham, NG5 7JP United Kingdom

All text, drawings and photography contained within this data sheet are the property of Zittel Ltd and are subject to copyright. Information may neither be transmitted or copied to third parties without the express written consent of Zittel Ltd. Zittel Ltd have a policy of continuous product improvement and contents here in are liable to change without notice.