

PB001X

ATEX CERTIFIED PUSH BUTTON



DS-349 Issue 01

Thank you for your interest in Ziztel - we are a UK based manufacturer of CCTV, PAGA, DVR and Intercom products. Our systems are specified for use by the Military, Marine and Hazardous area Petro – chemical markets, use in lesser applications is therefore readily accepted.

The PB001X extends the extensive range of approved apparatus suitable for use in hazardous areas available from Ziztel.

The PB001X is an illuminated component ATEX certified push button assembly enabling safe operation in a potentially explosive atmosphere

INTRINSICALLY SAFE ILLUMINATED SWITCH

Single or multiple switch contacts both form 'A' or 'B' – wide application range

IP66 rated – reliable service in aggressive environmental conditions

ATEX certified – safe usage in hazardous areas

Integral LED back light option – status and confirmation capability

Choice of actuator mechanisms and high brightness lens colours – extensive application possibilities

Ziztel PB001X is an ATEX certified pushbutton control device which is available in a number of switching executions offering both illuminated and non illuminated options. The unit can be specified with a range of actuator button / handles and switching action can be maintained (latching) or momentary (spring return).

Protection concept is Exi intrinsically safe enabling service in Zone 1 / 2 IIC T4 hazardous areas.

The assembly comprises of an actuator head onto which up to four contact blocks and one LED back illuminator block can be attached. A range of actuator colour options are available and the head interface can be in the form of a pushbutton or rotary selector specified as required.

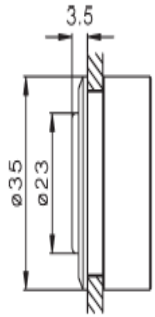


ZIZTEL LIMITED

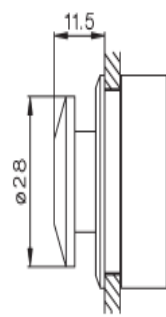
email: sales@ziztel.com web: www.ziztel.com tel: +44 (0) 115 9202888
mail: 96 Rolleston Drive, Arnold, Nottingham, NG5 7JP United Kingdom

All text, drawings and photography contained within this data sheet are the property of Ziztel Ltd and are subject to copyright. Information may neither be transmitted or copied to third parties without the express written consent of Ziztel Ltd. Ziztel Ltd have a policy of continuous product improvement and contents here in are liable to change without notice.

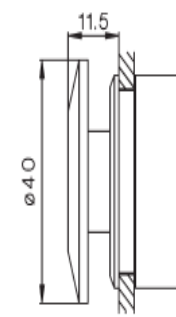
Flush Head
Illuminated Flush Head



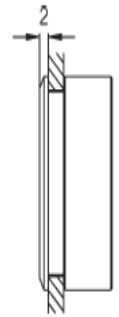
Mushroom Head Ø28mm
Emergency Stop Ø28mm



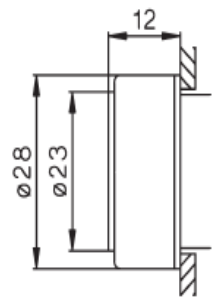
Mushroom Head Ø40mm
Emergency Stop Ø40mm



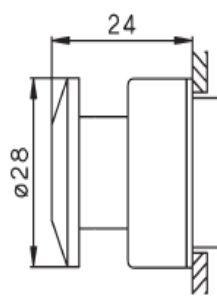
Lens Cap



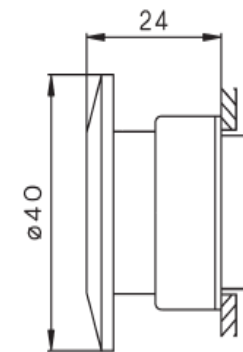
Flush Head
Illuminated Flush Head



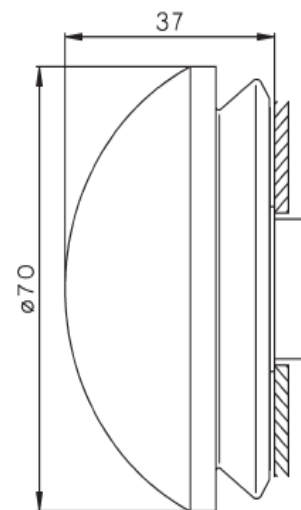
Mushroom Head Ø28mm
Emergency Stop Ø28mm



Mushroom Head Ø40mm
Emergency Stop Ø40mm



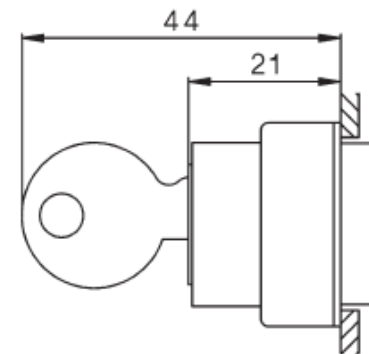
Mushroom Head Ø70mm
Emergency Stop Ø70mm



Lens Cap



Lockable Push button

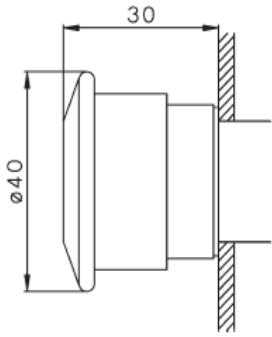


ZIZTEL LIMITED

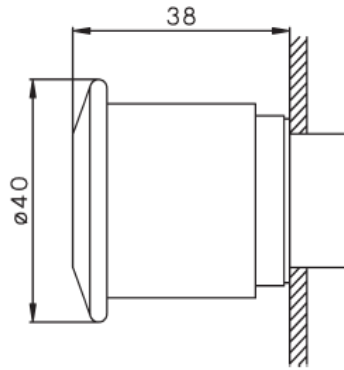
email: sales@ziztel.com web: www.ziztel.com tel: +44 (0) 115 9202888
mail: 96 Rolleston Drive, Arnold, Nottingham, NG5 7JP United Kingdom

All text, drawings and photography contained within this data sheet are the property of Ziztel Ltd and are subject to copyright. Information may neither be transmitted or copied to third parties without the express written consent of Ziztel Ltd. Ziztel Ltd have a policy of continuous product improvement and contents here in are liable to change without notice.

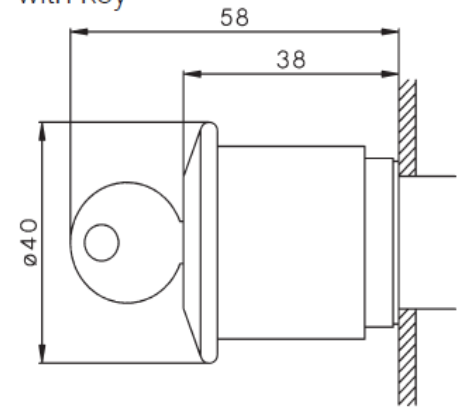
Push-and pull button Ø40mm



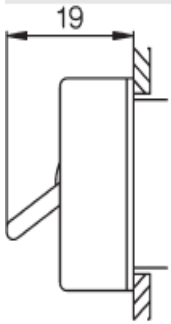
Push-and pull button Ø40mm



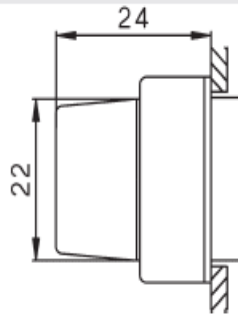
Push-and pull button Ø40mm with key



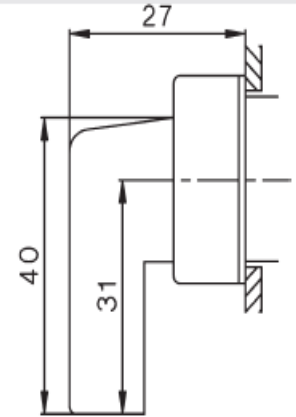
Toggle



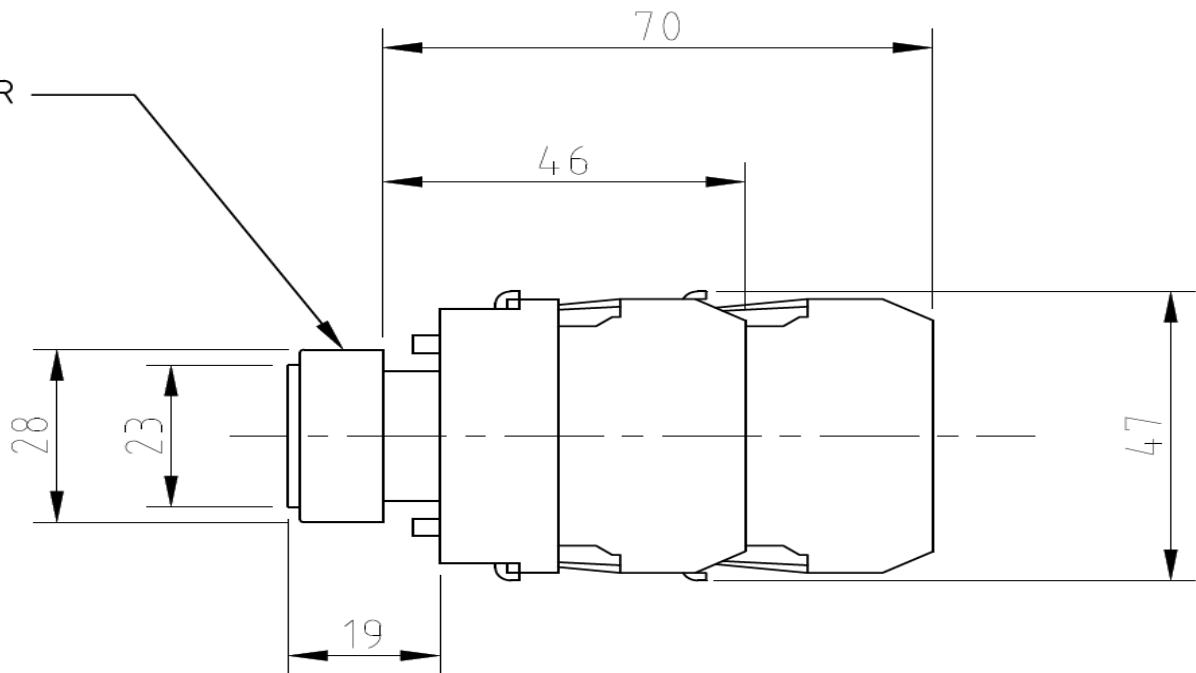
Rotary Knob



Swing Knob



ACTUATOR

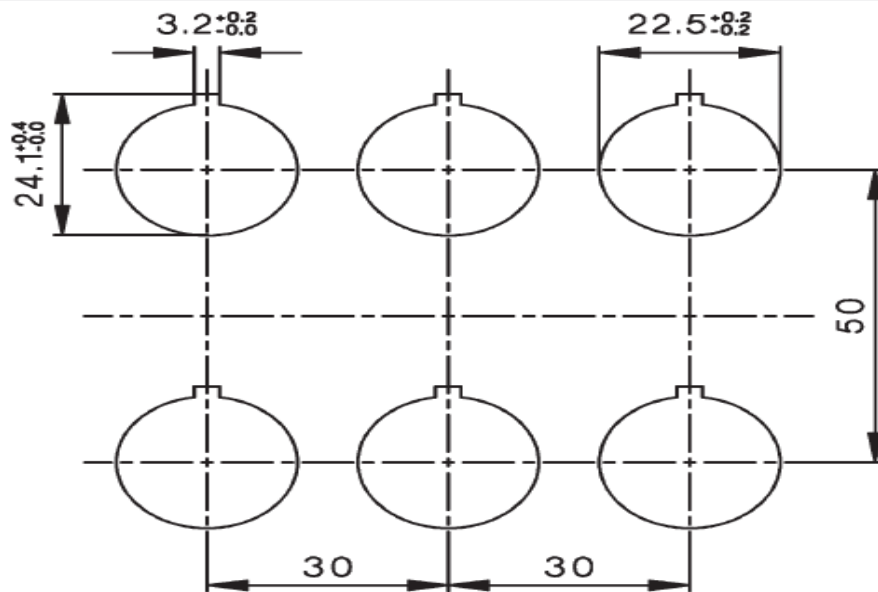


SIDE VIEW

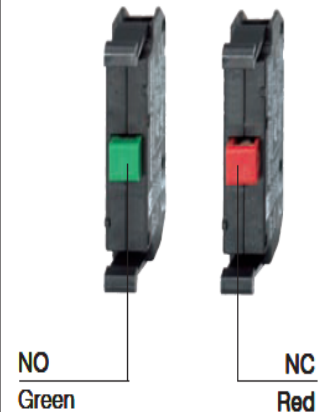
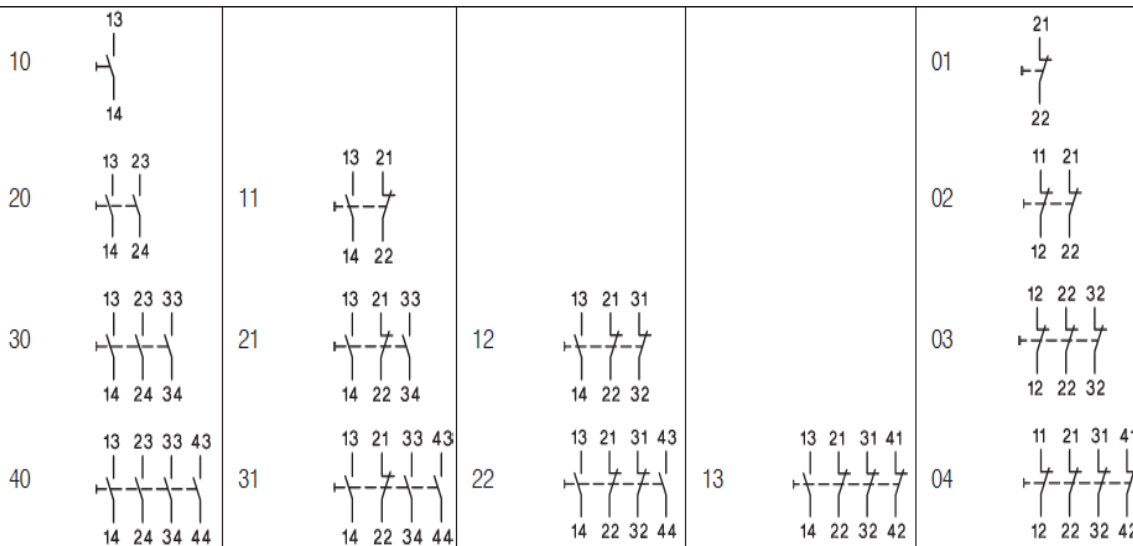
ZIZTEL LIMITED

email: sales@ziztel.com web: www.ziztel.com tel: +44 (0) 115 9202888
mail: 96 Rolleston Drive, Arnold, Nottingham, NG5 7JP United Kingdom

All text, drawings and photography contained within this data sheet are the property of Ziztel Ltd and are subject to copyright. Information may neither be transmitted or copied to third parties without the express written consent of Ziztel Ltd. Ziztel Ltd have a policy of continuous product improvement and contents here in are liable to change without notice.



Dimensions of minimum space requirements according to IEC. Take to consideration the field of traverse of swing knobs (27mm) and the diameter of mushroom heads.



ZIZTEL LIMITED

email: sales@ziztel.com web: www.ziztel.com tel: +44 (0) 115 9202888
 mail: 96 Rolleston Drive, Arnold, Nottingham, NG5 7JP United Kingdom

All text, drawings and photography contained within this data sheet are the property of Ziztel Ltd and are subject to copyright. Information may neither be transmitted or copied to third parties without the express written consent of Ziztel Ltd. Ziztel Ltd have a policy of continuous product improvement and contents here in are liable to change without notice.

PB-001X — PBT — ILM — RD — 1MK1BK

Model name

Illumination
 IL = Illuminated
 NIL = Non illuminated

Switch type

PBT = Pushbutton
 IND = Indicator
 SLR1 = selector switch, rotary, 3-position, spring return
 SLR2 = selector switch, rotary, 2-position, maintained
 SLR3 = selector switch, rotary, 3-position, maintained
 SLK1 = selector switch, key, 2-position, key remove off
 SLK2 = selector switch, key, 2-position, key remove on
 SLK3 = selector switch, key, 2-position, key remove all
 SLK4 = selector switch, key, 3-position, key remove off
 SLK5 = selector switch, key, 3-position, key remove all
 SLK6 = selector switch, key, 2-position, key remove off, spring return
 SLK7 = selector switch, key, 3-position, key remove off, spring return
 EMST = emergency stop, twist to release
 EMSK = emergency stop, key release
 EMSP = emergency stop, pull to release

Colour

RD = Red
 GN = Green
 YE = Yellow
 WT = White
 BU = Blue
 BK = Black

Contacts

1MK = 1 Make (N/O)
 2MK = 2 Make (N/O)
 3MK = 3 Make (N/O)
 1BK = 1 Break (N/C)
 2BK = 2 Break (N/C)
 3BK = 3 Break (N/C)

Example: PB-001X-PBT-ILM-GN-1MK1BK Illuminated Green pushbutton with 1 make and 1 break contact

ZIZTEL LIMITED

email: sales@ziztel.com web: www.ziztel.com tel: +44 (0) 115 9202888
 mail: 96 Rolleston Drive, Arnold, Nottingham, NG5 7JP United Kingdom