

ET001-T-W

WEATHERPROOF AREA TELEPHONE



DS-479 Issue 05

Thank you for your interest in Ziztel - we are a UK based manufacturer of PAGA and Intercom products. Our systems are mainly designed for use in the Hazardous Oil, Gas and Petrochemical industries.

The ET001-T-W is an analog two wire weather-proof telephone handset designed to provide reliable communications in a severe industrial environment. The unit facilitates operation over extended cable lengths without field located interposing switches or media convertors.

ET001-T-W ANALOG POTS TELEPHONE

Weatherproof - Reliable when used in exposed areas

Corrosion resistant / Ultraviolet stable - Designed for aggressive operating conditions

Full duplex handset communications – Efficient two-way speech

The ET001-T-W is a bulkhead mount two wire analog weatherproof telephone designed to provide reliable, efficient two-way voice communications in an industrial location. The unit is designed for aggressive environments and is IP66 rated. The housing is manufactured from high-performance anti-static corrosion / ultra violet resistant plastic and all fastenings and external fittings are 316L stainless steel. The enclosure is self coloured bright orange enabling rapid location in subdued light conditions.

The ET001-T-W handset cradle switch is solid state eliminating moving parts and a flexible vandal proof steel armored handset cord ensures long through life maintenance free service. The stainless-steel tactile keypad is large enough to allow effective operation with a gloved hand.

An integral calling sounder is fitted which delivers an 'attention getting' electronically generated warble. The unit is delivered with heavy duty stainless steel mounting brackets as standard which eliminates costly bespoke foundation supports.



ZIZTEL LIMITED

email: sales@ziztel.com web: www.ziztel.com tel: +44 (0) 115 9202888 mail: 96 Rolleston Drive, Arnold, Nottingham, NG5 7JP United Kingdom
All text, drawings and photography contained within this data sheet are the property of Ziztel Ltd and are subject to copyright. Information may neither be transmitted or copied to third parties without the express written consent of Ziztel Ltd. Ziztel Ltd have a policy of continuous product improvement and contents here in are liable to change without notice.
All specifications, weights, dimensions and tolerances are nominal and Ziztel reserve the right to vary all data without prior notice. Ziztel accept no liability for any consequence of use

The range includes options a) without keypad for CB applications – suffix CB, and b) with headset adaptor to replace the handset– suffix HDST.

A range of high-performance acoustic hoods are available including type AH23 which is specifically designed for use in severe environmental locations. ZFL73-T, ZFL73-TT flashing beacons can be connected to the ET001-T-W to extend signaling in a noisy ambient.

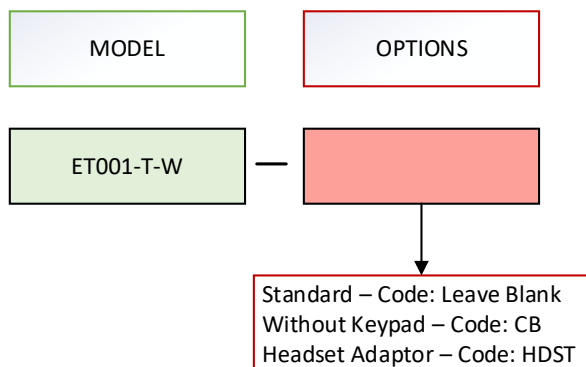
For Hazardous area variant, refer to DS-480 ET001-T-Ex

Ziztel AH23 series acoustic hood, ZFL73-T, ZFL73-TT external visual alarm / sounder and MT50-20-HS-001 ear defender headset



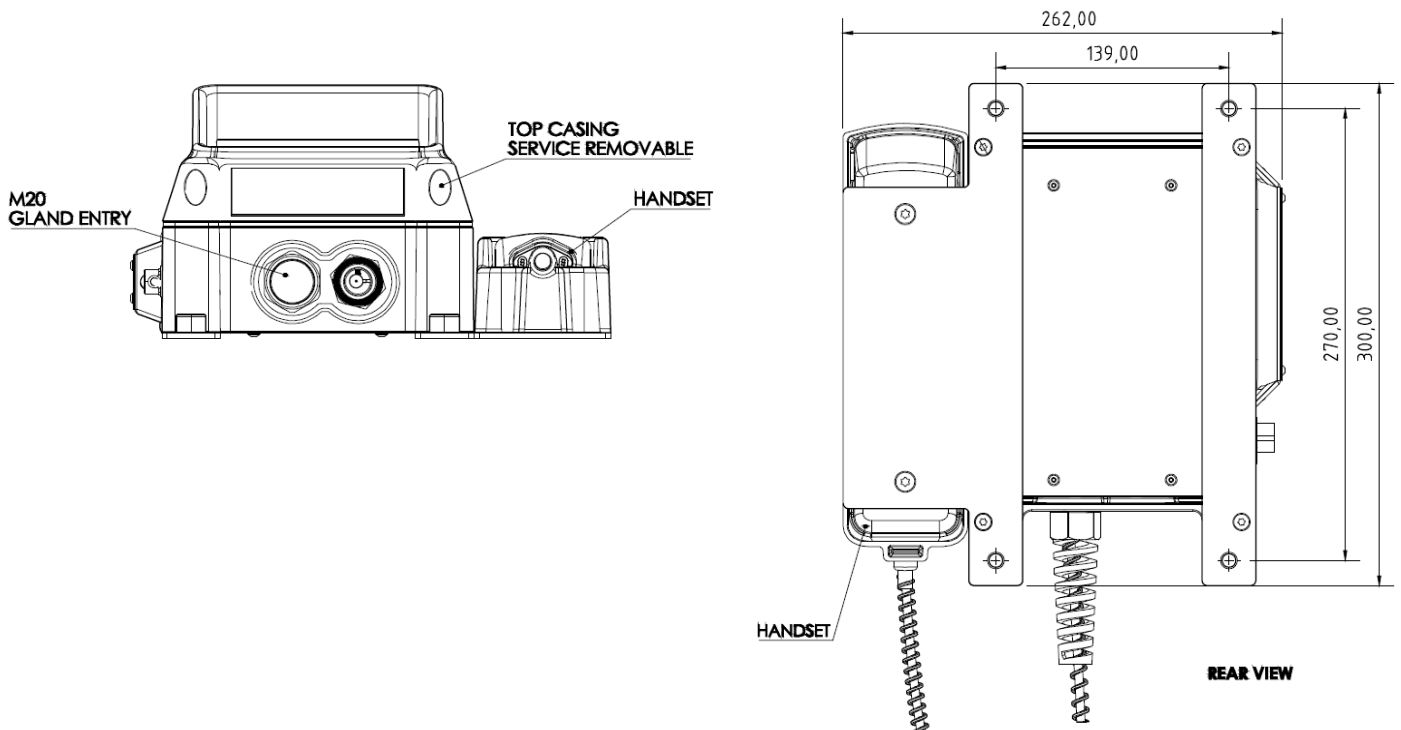
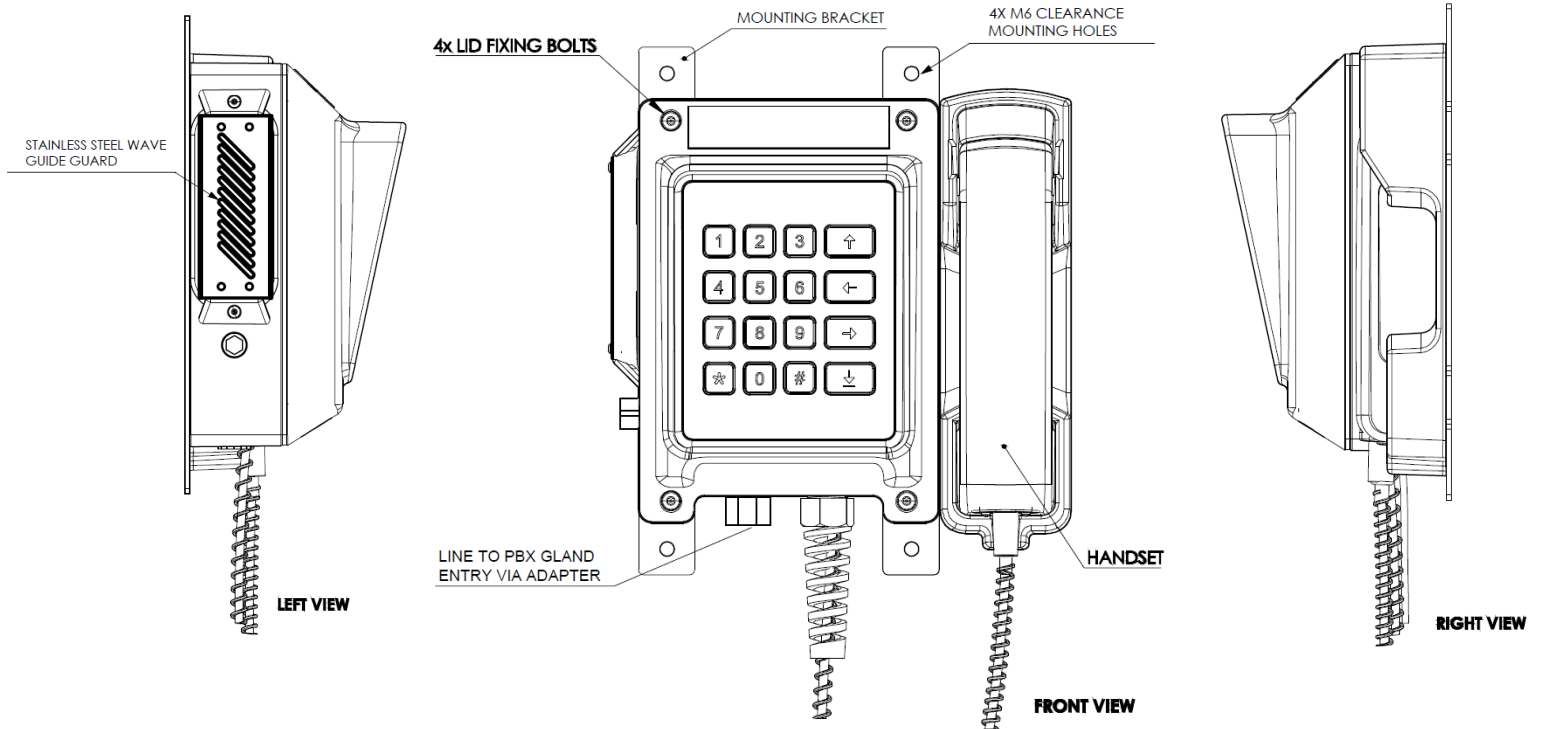
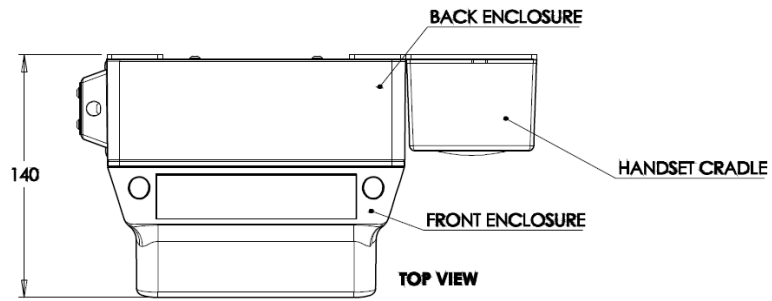
Technical Specification	
Line Voltage	24 VDC to 67 VDC
Dialling protocol	DTMF
Ringing voltage	24 VAC to 90 VAC
Ringing frequency	21 Hz to 60 Hz
Termination	Up to 4mm CSA conductors (Cross Sectional Area)
Headset option	Noise cancelling ear defender style MT50-20 HS
Enclosure material	High-performance anti-static plastic, UV resistant
Temperature Range	-40C to +70C ambient
Environmental Rating	IP66
Cable Entry	1 x 20 mm gland entry
Dimensions	262 mm x 300 mm x 140 mm
Weight	3.5 Kg
Mounting attitude	Bulkhead / wall mounting
Colour	Orange RAL 2008

Part Code



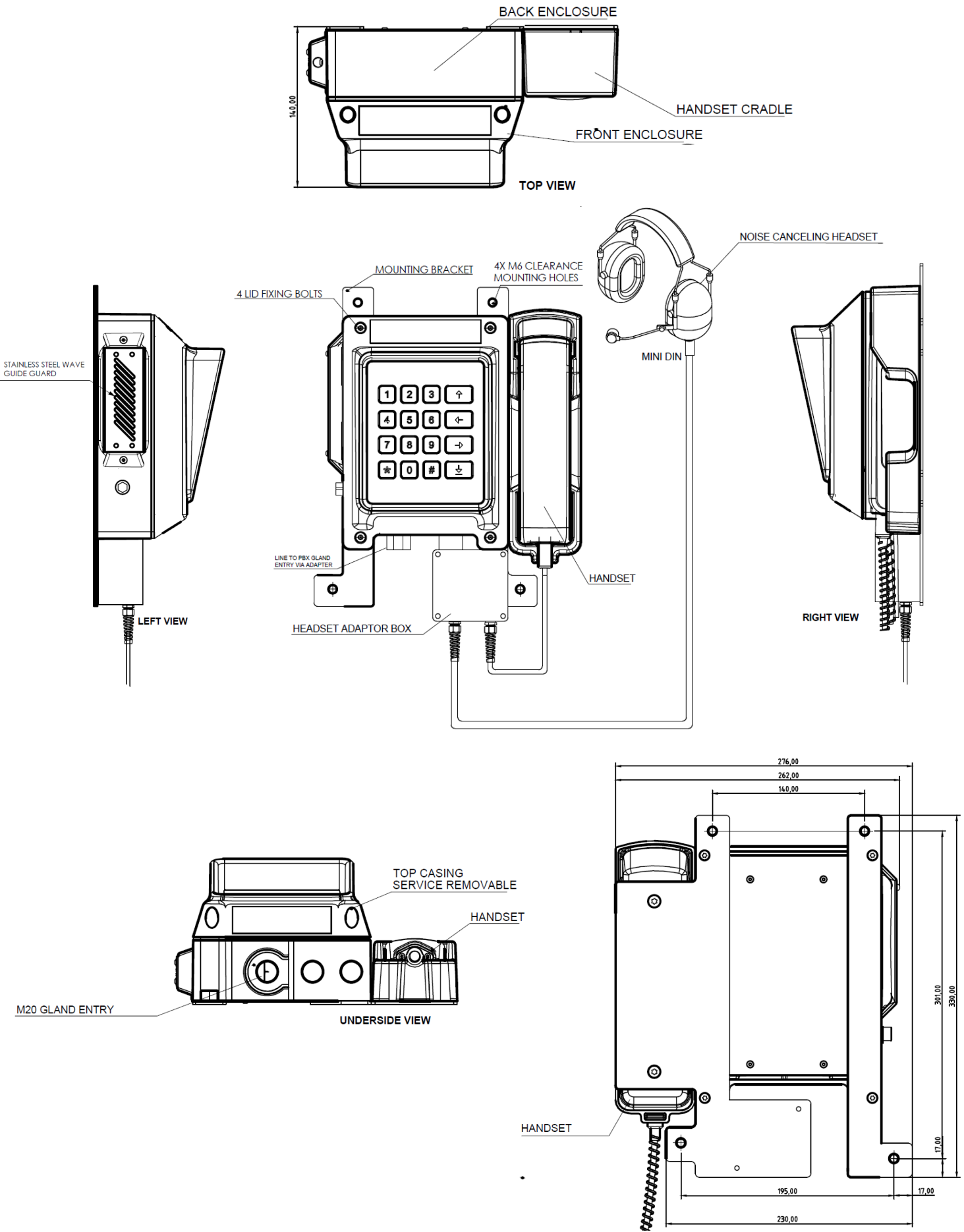
ZIZTEL LIMITED

GENERAL ARRANGEMENTS



ZIZTEL LIMITED

email: sales@ziztel.com web: www.ziztel.com tel: +44 (0) 115 9202888 mail: 96 Rolleston Drive, Arnold, Nottingham, NG5 7JP United Kingdom
All text, drawings and photography contained within this data sheet are the property of Ziztel Ltd and are subject to copyright. Information may neither be transmitted or copied to third parties without the express written consent of Ziztel Ltd. Ziztel Ltd have a policy of continuous product improvement and contents here in are liable to change without notice.
All specifications, weights, dimensions and tolerances are nominal and Ziztel reserve the right to vary all data without prior notice. Ziztel accept no liability for any consequence of use



ZITTEL LIMITED

email: sales@zitel.com web: www.zitel.com tel: +44 (0) 115 9202888 mail: 96 Rolleston Drive, Arnold, Nottingham, NG5 7JP United Kingdom
 All text, drawings and photography contained within this data sheet are the property of Zitel Ltd and are subject to copyright. Information may neither be transmitted or copied to third parties without the express written consent of Zitel Ltd. Zitel Ltd have a policy of continuous product improvement and contents here in are liable to change without notice.
 All specifications, weights, dimensions and tolerances are nominal and Zitel reserve the right to vary all data without prior notice. Zitel accept no liability for any consequence of use