

ET001-T-EX

HAZARDOUS AREA TELEPHONE



DS-480 Issue 05

Thank you for your interest in Ziztel - we are a UK based manufacturer of PAGA and Intercom products. Our systems are mainly designed for use in the Hazardous Oil, Gas and Petrochemical industries.

The ET001-T-Ex is an analog two wire explosion-proof telephone handset designed to provide reliable communications in a potentially explosive atmosphere. The unit facilitates operation over extended cable lengths without field located interposing switches or media convertors.

ET001-T-EX ANALOG POTS TELEPHONE

ATEX and IECEx certified - *Safe for use in Zone 1 and 2 potentially explosive areas*

Corrosion resistant / Ultraviolet stable - *Designed for aggressive operating conditions*

Full duplex handset communications – *Efficient two-way speech*

The ET001-T-Ex is a bulkhead mount two wire analog explosion proof telephone designed to provide reliable, efficient two-way voice communications in a potentially explosive atmosphere. The unit is designed for aggressive environments including Zone 1 / Zone 2 hazardous areas and is IP66 rated. The housing is manufactured from high performance anti-static corrosion / ultra violet resistant plastic and all fastenings and external fittings are 316L stainless steel. The enclosure is self coloured bright orange enabling rapid location in subdued light conditions.

The ET001-T-Ex handset cradle switch is solid state eliminating moving parts and a flexible vandal proof steel armored handset cord ensures long through life maintenance free service. The stainless-steel tactile keypad is large enough to allow effective operation with a gloved hand.

An integral calling sounder is fitted which delivers an 'attention getting' electronically generated warble. The unit is delivered with heavy duty stainless steel mounting brackets as standard which eliminates costly bespoke foundation supports.



ZIZTEL LIMITED

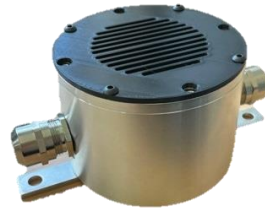
email: sales@ziztel.com web: www.ziztel.com tel: +44 (0) 115 9202888 mail: 96 Rolleston Drive, Arnold, Nottingham, NG5 7JP United Kingdom
All text, drawings and photography contained within this data sheet are the property of Ziztel Ltd and are subject to copyright. Information may neither be transmitted or copied to third parties without the express written consent of Ziztel Ltd. Ziztel Ltd have a policy of continuous product improvement and contents here in are liable to change without notice.
All specifications, weights, dimensions and tolerances are nominal and Ziztel reserve the right to vary all data without prior notice. Ziztel accept no liability for any consequence of use

The ET001-T-Ex includes options a) without keypad for CB applications – suffix CB, and b) with headset adaptor – suffix HDST.

A range of high-performance acoustic hoods are available including type AH23 – 60097 which is specifically designed for safe use in a potentially explosive atmosphere. ZFL23X-T flashing beacon and ZLSC-06-S sounder can be connected to the ET001-T-Ex to extend signaling in high noise ambients.

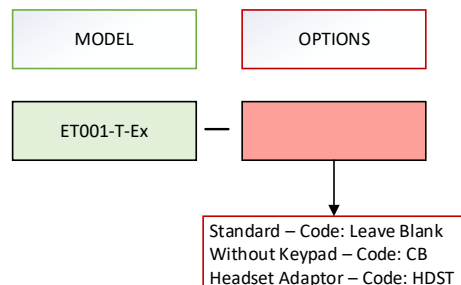
For weatherproof variant, refer to DS-479 ET001-T-W

Zitel AH23 series acoustic hood, ZFL23X-T external visual alarm, ZLSC-06-S-2 Sounder and MT50-HS001Ex headset.



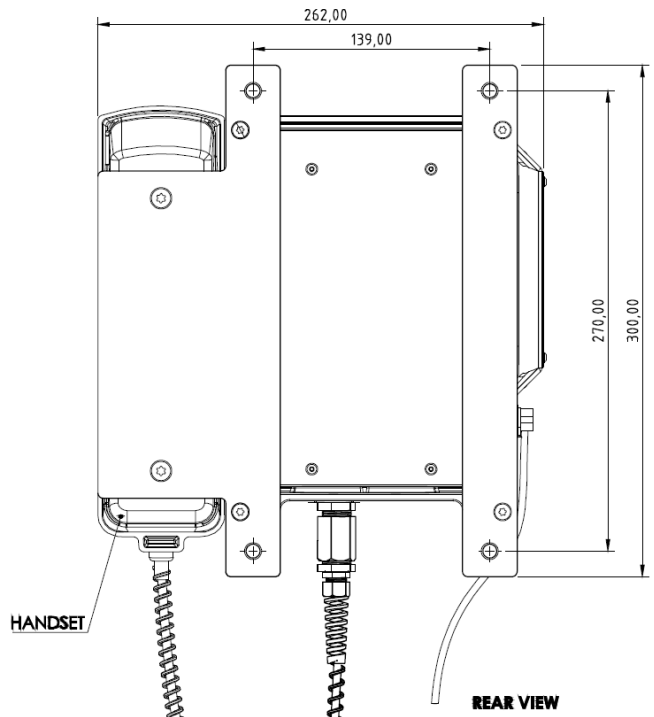
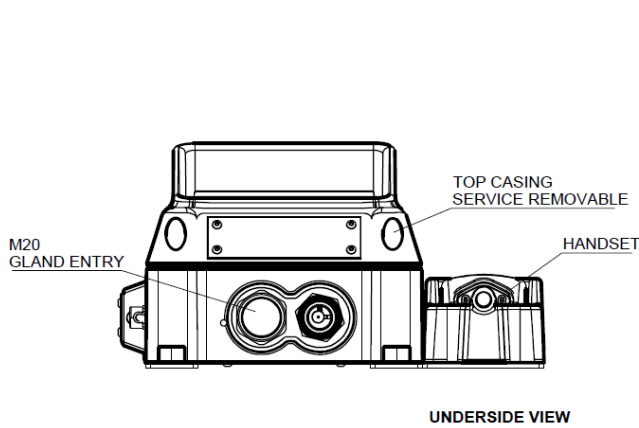
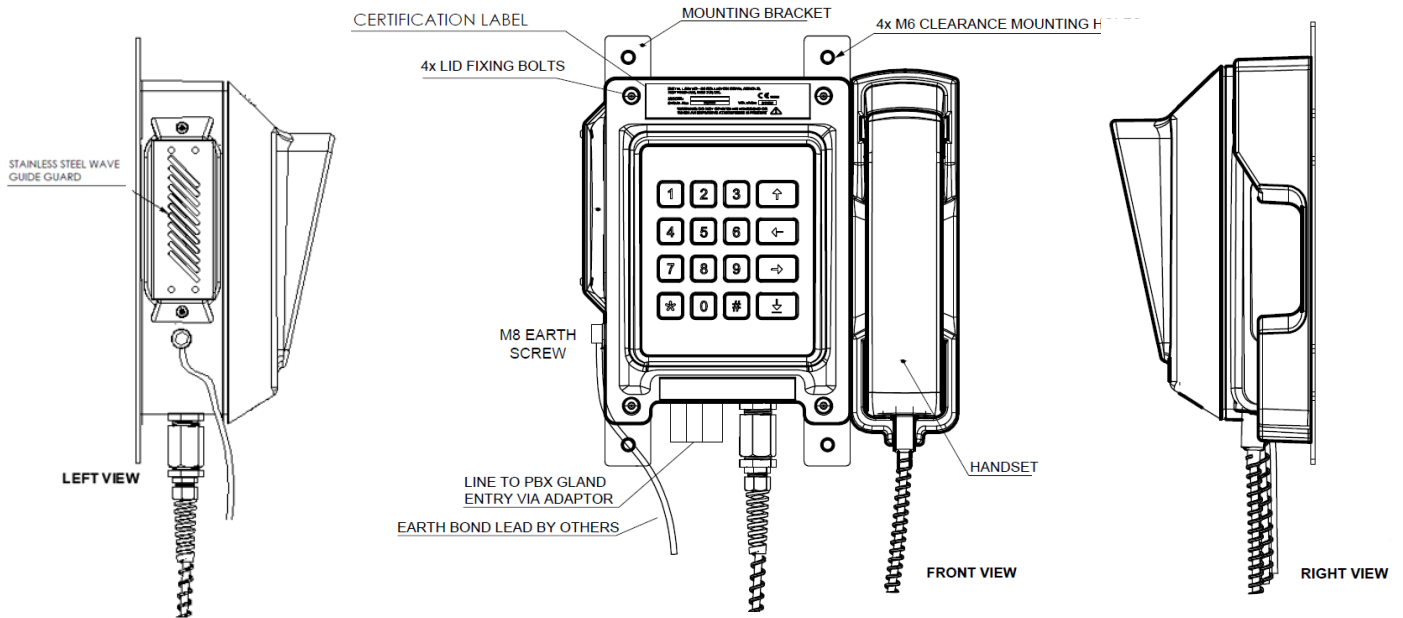
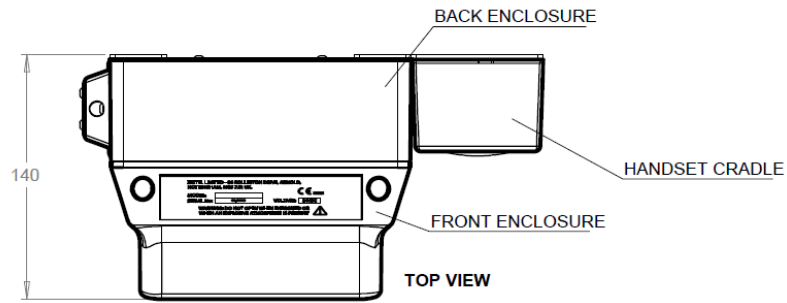
Technical Specification	
Line Voltage	24 VDC to 67 VDC
Dialling protocol	DTMF
Ringing voltage	24 VAC to 90 VAC
Ringing frequency	21 Hz to 60 Hz
Termination	Up to 4mm CSA conductors (Cross Sectional Area)
Headset option	Noise cancelling ear defender style MT50-HS001-Ex
Enclosure material	High performance anti-static plastic UV resistant
Temperature Range	-40C to +70C ambient
Environmental Rating	IP66
Cable Entry	1 x 20 mm isometric gland entry
Dimensions	262mm x 300mm x 140mm
Weight	4.5 Kg
Mounting attitude	Bulkhead / wall mounting
Protection	Exdi
Certification	Zone 1 / 2 IIB + H2 T4
Colour	Orange RAL 2008

Part Code



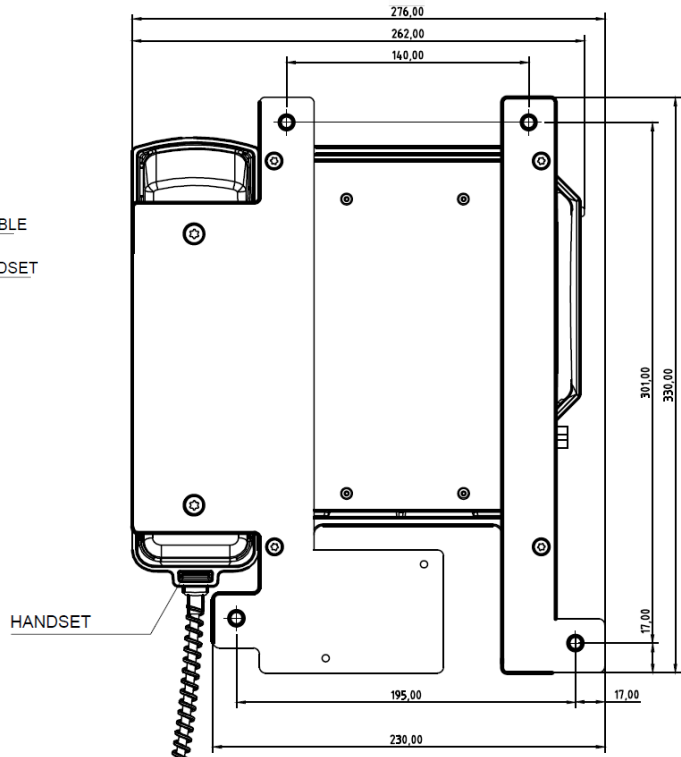
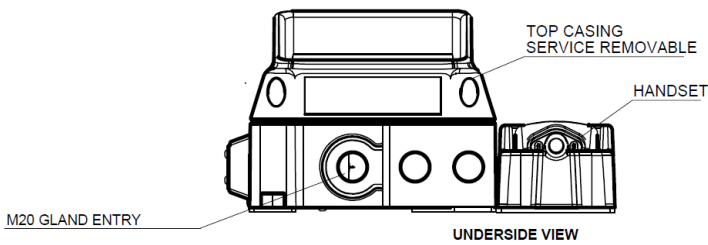
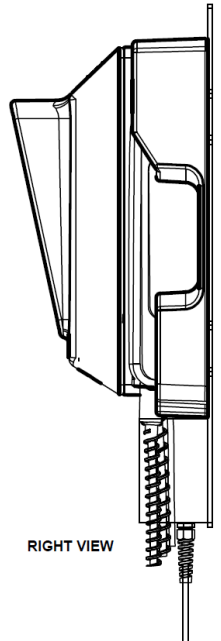
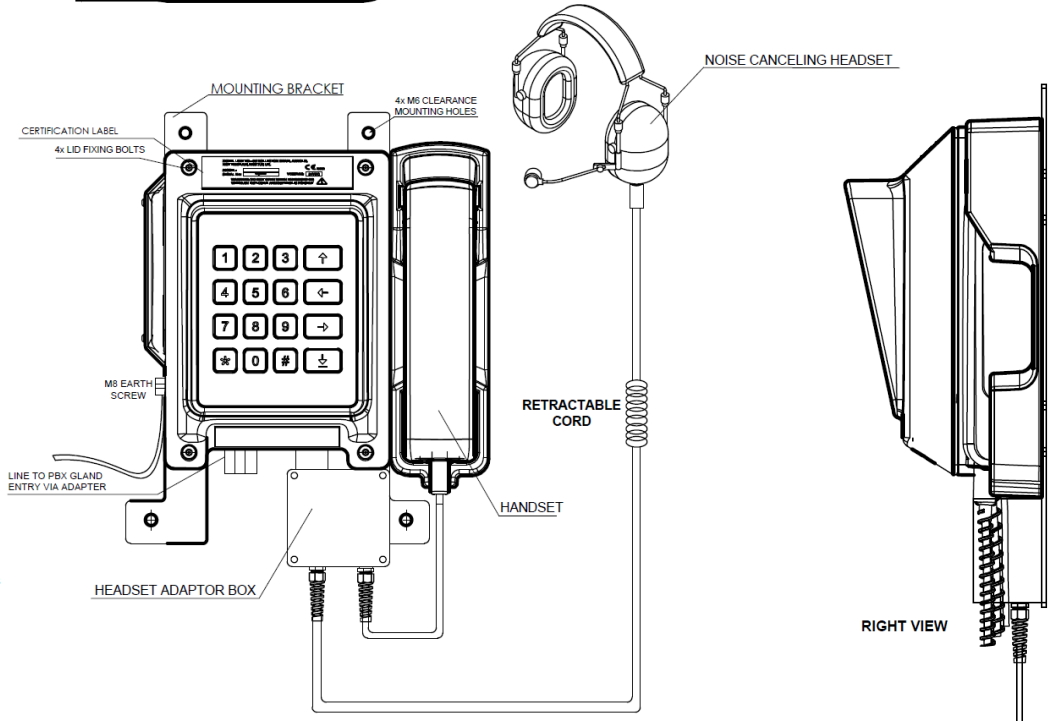
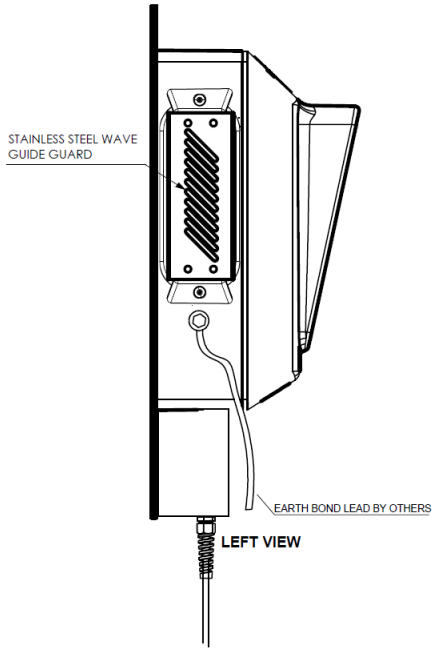
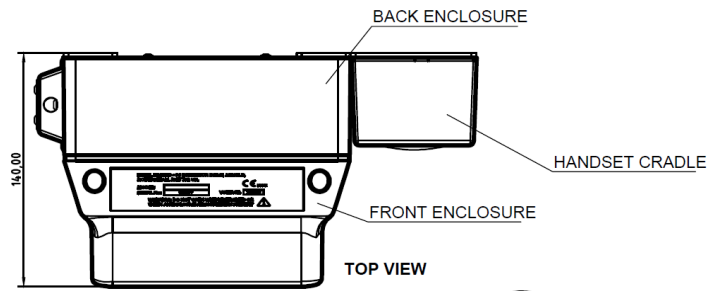
ZIZTEL LIMITED

GENERAL ARRANGEMENTS



ZITTEL LIMITED

email: sales@zitel.com web: www.zitel.com tel: +44 (0) 115 9202888 mail: 96 Rolleston Drive, Arnold, Nottingham, NG5 7JP United Kingdom
All text, drawings and photography contained within this data sheet are the property of Zitel Ltd and are subject to copyright. Information may neither be transmitted or copied to third parties without the express written consent of Zitel Ltd. Zitel Ltd have a policy of continuous product improvement and contents here in are liable to change without notice.
All specifications, weights, dimensions and tolerances are nominal and Zitel reserve the right to vary all data without prior notice. Zitel accept no liability for any consequence of use



ZITTEL LIMITED